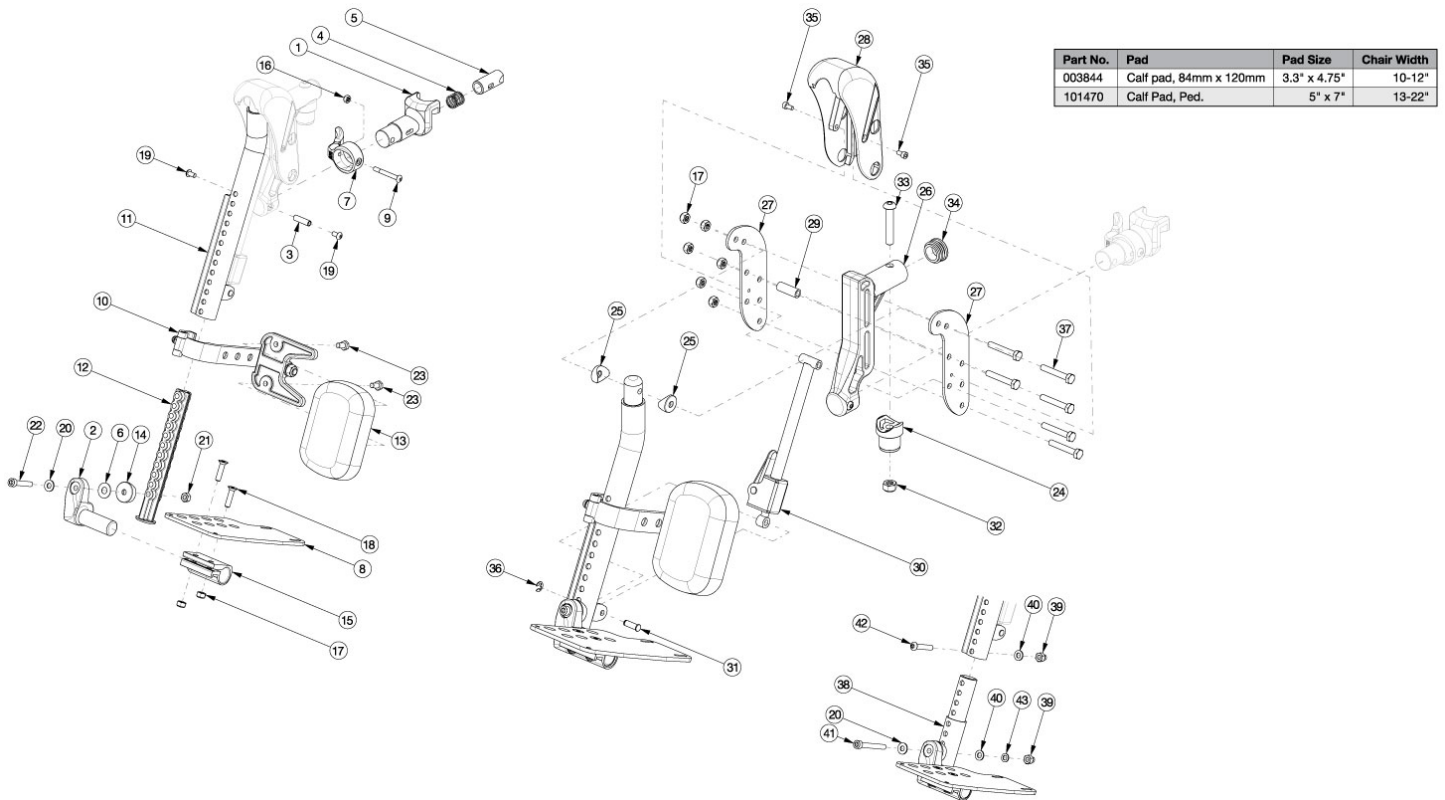


Pediatric Pro Elevating Leg Rest



Part No.	Pad	Pad Size	Chair Width
003844	Calf pad, 84mm x 120mm	3.3" x 4.75"	10-12"
101470	Calf Pad, Ped.	5" x 7"	13-22"

Please note the following: The calf pad is not included within the assemblies below and needs to be ordered separately. Sizes for assemblies are based on seat width with straight frame. If Tilt chair has Offset Frame, add 2" to seat width. If chair was built with a fixed front frame or hangers were omitted, then latch blocks need to be ordered with ELRs. Please reference the "Front Frame" parts manual page for Catalyst chairs and the "Seat Frame" parts manual page for Focus and Flip chairs. If switching from a contracture footrest to an ELR, front seat tubes and latch blocks with hardware will be needed.

Item Number	Part Number	Description	Quantity
1, 2a-2b, 3-6, 7a, 8a-8b, 9-12, 14-43	107676	Peds PRO ELR Assembly 10-11", Angle Adj Footplate, Classic Release, PAIR	1
1, 2a-2b, 3-6, 7a, 8c-8d, 9-12, 14-43	107677	Peds PRO ELR Assembly 12-13", Angle Adj Footplate, Classic Release, PAIR	1
1, 2a-2b, 3-6, 7a, 8e-8f, 9-12, 14-43	107678	Peds PRO ELR Assembly 14-15", Angle Adj Footplate, Classic Release, PAIR	1
1, 2a-2b, 3-6, 7a, 8g-8h, 9-12, 14-43	107679	Peds PRO ELR Assembly 16-17", Angle Adj Footplate, Classic Release, PAIR	1
1, 2a-2b, 3-6, 7a, 8i-8j, 9-12, 14-43	107680	Peds PRO ELR Assembly 18-24", Angle Adj Footplate, Classic Release, PAIR	1
1, 2a, 3-6, 7a, 8b, 9-12, 14-43	107666	Peds PRO ELR Assembly 10-11", Angle Adj Footplate, Classic Release, Right	1
1, 2a, 3-6, 7a, 8d, 9-12, 14-43	107667	Peds PRO ELR Assembly 12-13", Angle Adj Footplate, Classic Release, Right	1

Item Number	Part Number	Description	Quantity
1, 2a, 3-6, 7a, 8f, 9-12, 14-43	107668	Peds PRO ELR Assembly 14-15", Angle Adj Footplate, Classic Release, Right	1
1, 2a, 3-6, 7a, 8h, 9-12, 14-43	107669	Peds PRO ELR Assembly 16-17", Angle Adj Footplate, Classic Release, Right	1
1, 2a, 3-6, 7a, 8j, 9-12, 14-43	107670	Peds PRO ELR Assembly 18-24", Angle Adj Footplate, Classic Release, Right	1
1, 2b, 3-6, 7a, 8a, 9-12, 14-43	107671	Peds PRO ELR Assembly 10-11", Angle Adj Footplate, Classic Release, Left	1
1, 2b, 3-6, 7a, 8c, 9-12, 14-43	107672	Peds PRO ELR Assembly 12-13", Angle Adj Footplate, Classic Release, Left	1
1, 2b, 3-6, 7a, 8e, 9-12, 14-43	107673	Peds PRO ELR Assembly 14-15", Angle Adj Footplate, Classic Release, Left	1
1, 2b, 3-6, 7a, 8g, 9-12, 14-43	107674	Peds PRO ELR Assembly 16-17", Angle Adj Footplate, Classic Release, Left	1
1, 2b, 3-6, 7a, 8i, 9-12, 14-43	107675	Peds PRO ELR Assembly 18-24", Angle Adj Footplate, Classic Release, Left	1
1, 4, 5, 7a, 9, 16	003416	Classic Hanger Latch Assembly, Right	1
1, 4, 5, 7a, 9, 16	003417	Classic Hanger Latch Assembly, Left	1
1, 2a-2b, 3-6, 7b, 8a-8b, 9-12, 14-43	109188	Peds PRO ELR Assembly 10-11", Angle Adj Footplate, 4-Way Out Release, PAIR	1
1, 2a-2b, 3-6, 7b, 8c-8d, 9-12, 14-43	109189	Peds PRO ELR Assembly 12-13", Angle Adj Footplate, 4-Way Out Release, PAIR	1
1, 2a-2b, 3-6, 7b, 8e-8f, 9-12, 14-43	109190	Peds PRO ELR Assembly 14-15", Angle Adj Footplate, 4-Way Out Release, PAIR	1
1, 2a-2b, 3-6, 7b, 8g-8h, 9-12, 14-43	109191	Peds PRO ELR Assembly 16-17", Angle Adj Footplate, 4-Way Out Release, PAIR	1
1, 2a-2b, 3-6, 7b, 8i-8j, 9-12, 14-43	109192	Peds PRO ELR Assembly 18-24", Angle Adj Footplate, 4-Way Out Release, PAIR	1
1, 2a, 3-6, 7b, 8b, 9-12, 14-43	109178	Peds PRO ELR Assembly 10-11", Angle Adj Footplate, 4-Way Out Release, Right	1
1, 2a, 3-6, 7b, 8d, 9-12, 14-43	109179	Peds PRO ELR Assembly 12-13", Angle Adj Footplate, 4-Way Out Release, Right	1
1, 2a, 3-6, 7b, 8f, 9-12, 14-43	109180	Peds PRO ELR Assembly 14-15", Angle Adj Footplate, 4-Way Out Release, Right	1
1, 2a, 3-6, 7b, 8h, 9-12, 14-43	109181	Peds PRO ELR Assembly 16-17", Angle Adj Footplate, 4-Way Out Release, Right	1
1, 2a, 3-6, 7b, 8j, 9-12, 14-43	109182	Peds PRO ELR Assembly 18-24", Angle Adj Footplate, 4-Way Out Release, Right	1
1, 2b, 3-6, 7b, 8a, 9-12, 14-43	109183	Peds PRO ELR Assembly 10-11", Angle Adj Footplate, 4-Way Out Release, Left	1
1, 2b, 3-6, 7b, 8c, 9-12, 14-43	109184	Peds PRO ELR Assembly 12-13", Angle Adj Footplate, 4-Way Out Release, Left	1
1, 2b, 3-6, 7b, 8e, 9-12, 14-43	109185	Peds PRO ELR Assembly 14-15", Angle Adj Footplate, 4-Way Out Release, Left	1
1, 2b, 3-6, 7b, 8g, 9-12, 14-43	109186	Peds PRO ELR Assembly 16-17", Angle Adj Footplate, 4-Way Out Release, Left	1

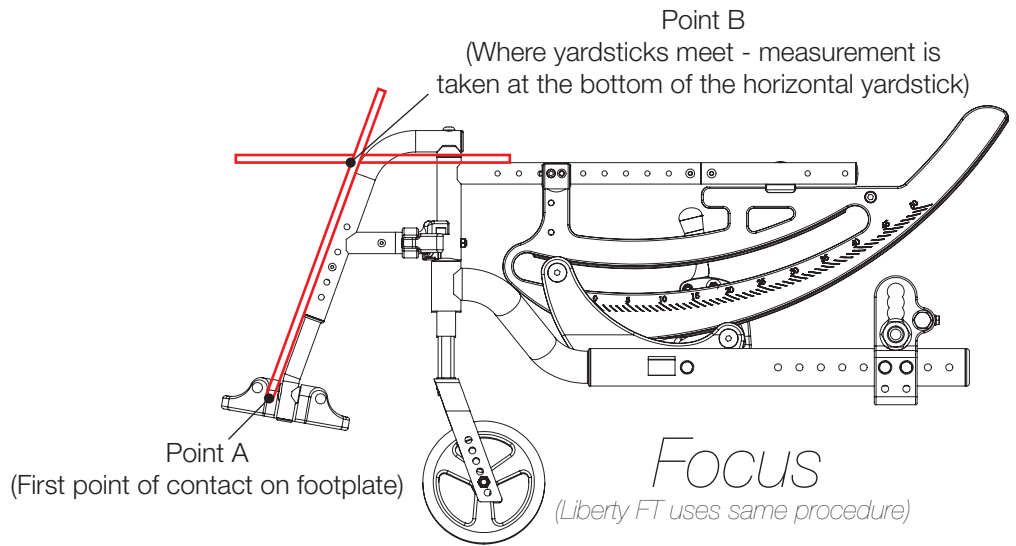
Item Number	Part Number	Description	Quantity
1, 2b, 3-6, 7b, 8i, 9-12, 14-43	109187	Peds PRO ELR Assembly 18-24", Angle Adj Footplate, 4-Way Out Release, Left	1
1, 4, 5, 7b, 9, 16	003642	Assembled 4-Way Out Hanger Release, Right	1
1, 4, 5, 7b, 9, 16	003642INST	Assembled 4-Way Out Hanger Release, Right with Instruction	1
1, 4, 5, 7b, 9, 16	003643	Assembled 4-Way Out Hanger Release, Left	1
1, 4, 5, 7b, 9, 16	003643INST	Assembled 4-Way Out Hanger Release, Left with Instruction	1
11, 17, 24-37	003853	Hanger Assembly, ELR, Front Mount, Right	1
11, 17, 24-37	003854	Hanger Assembly, ELR, Front Mount, Left	1
2a	000048	Footplate Angle Adj Casting 1" Right	1
2b	000050	Footplate Angle Adj Casting 1" Left	1
3	000073	M5 x 24 Threaded Barrel	1
4	000119	Hanger Spring	1
6	000428	Wear Washer	1
7a	001158	Lever Swing Away Short	1
7b	003228	Hanger Latch, 4-Way, Lever	1
8a	001304	Footplate Angle Adjustable 10-11" Wide CAT/TILT Left	1
8b	001305	Footplate Angle Adjustable 10-11" Wide CAT/TILT Right	1
8c	001306	Footplate Angle Adjustable 12-13" Wide CAT/TILT Left	1
8d	001307	Footplate Angle Adjustable 12-13" Wide CAT/TILT Right	1
8e	000105	Footplate Angle Adjustable 14-15" Wide CAT/TILT Left (Std ELR Right)	1
8f	000106	Footplate Angle Adjustable 14-15" Wide CAT/TILT Right (Std ELR Left)	1
8g	000107	Footplate Angle Adjustable 16-17" Wide CAT/TILT Left (Std ELR Right)	1
8h	000108	Footplate Angle Adjustable 16-17" Wide CAT/TILT Right (Std ELR Left)	1
8i	000109	Footplate Angle Adjustable 18-24" Wide CAT/TILT Left (Std ELR Right)	1
8j	000110	Footplate Angle Adjustable 18-24" Wide CAT/TILT Right (Std ELR Left)	1
9	001374	M5 x 40 BHCS P/THD BLKZC	1
10	003344	Pro ELR Calf Pad Bracket Assembly	1
11a	003839	ELR Tube Weldment, Front Mount, Right	1

Item Number	Part Number	Description	Quantity
11b	003840	ELR Tube Weldment, Front Mount, Left	1
12	003843	Insert, Footrest Tube	1
13a	003844	Calf Pad, 84mm x 120mm <i>Used on 10" - 12" wide chairs</i>	1
13b	101470	Pediatric Calf Pad <i>Used on 13" - 22" wide chairs</i>	1
14	003845	Saddle 1" Rounded	1
15	100502	Angle Adj Footplate Clamp 2"	1
16	100657	M5 Nylock Nut Blk Zn	1
17	100658	M6 Nylock Nut Blk Zn	8
18	100662	M6 x 25 FSHCS BLK ZC	2
19	100669	M5 x 10 BTN SHCS BLKZC w/Patch	2
20	101455	M6 Belleville Washer (.252 x .551 x .050)	1
21	101456	M6 Ovl Top L/N ZC	1
22	101810	M6 x 35 SHCS BLK ZC	1
23	101823	M6 X 20 Hhcs Blk Zn	2
24	000032	Footrest Hanger Pivot Saddle	1
25	000053	Saddle 3/4"	2
27	003121	Side Plate, Pro ELR	2
28	003122	Cover, Pro ELR	1
29	003123	Spacer, .375OD x .242ID x 1.030LG	1
30	115767	Lock Rod Assembly, Pro ELR w/ Instructions	1
31	003131	Clevis Pin, 6mm x .64L	1
32	100659	M8 Nylock Nut Blk Zn	1
33	100673	M8 x 45 BTN SHCS BLKZC	1
34	100804	Tube End Plug 1"	1
35	102800	M4 x 8mm SHCS Blk Zn	1
36	102822	E-Ring, M6, YZ	2
37	102940	M6 x 38 HHCS, 8mm THD, BLK ZN	1

Item Number	Part Number	Description	Quantity
38	000164	Hanger Extension 3" (Front Mount)	1
39	100558	M6 Nyl Ins Domed Cap L/N Zc	2
40	100746	M6 Flat Washer Blk Zn	2
41	101124	M6 x 50 Low SHCS BLK ZC	1
42	101811	M6 x 35 BHCS Blk Zn	1
43	102072	Washer Nylon .234 ID x .406 OD x .062 Thick	1

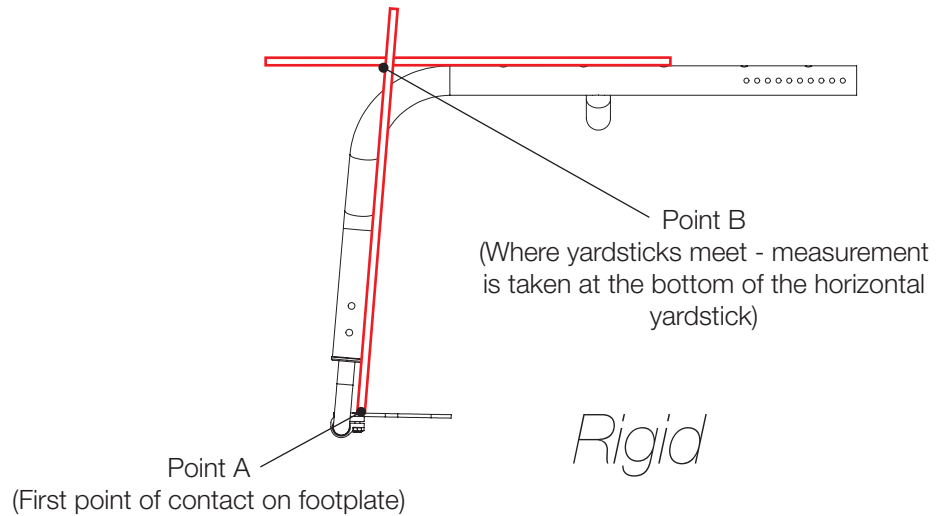
Distance between Point A and Point B = Footplate Length

NOTE: The yardstick on the top plane of the seat frame must lie flat against frame. The yardstick going from the footplate to the second yardstick must be square against the hanger tube.



Distance between Point A and Point B = Footplate Length

NOTE: The yardstick on the top plane of the seat frame must lie flat against frame. The yardstick going from the footplate to the second yardstick must be square against the front tube.



Distance between Point A and Point B = Footplate Length

NOTE: The yardstick on the top plane of the hanger must lie flat against hanger. The yardstick going from the footplate to the second yardstick must be square against the hanger tube.

