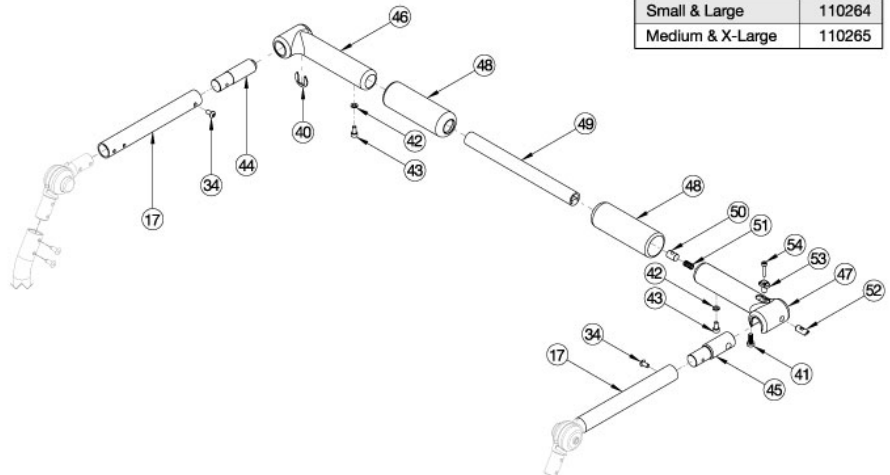
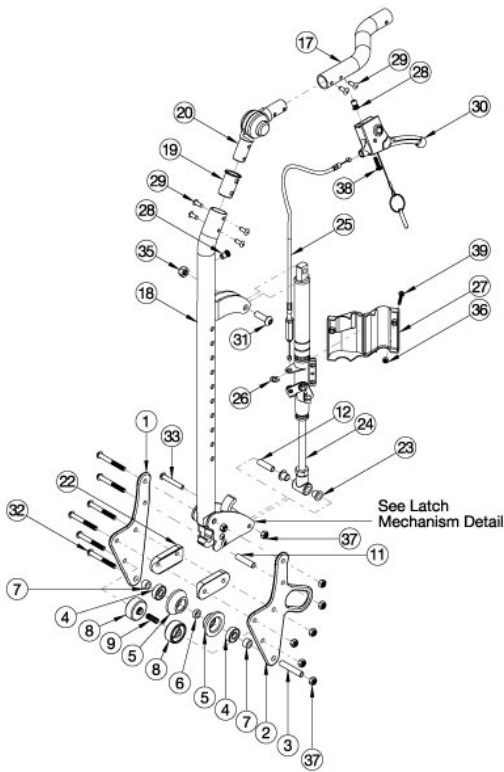
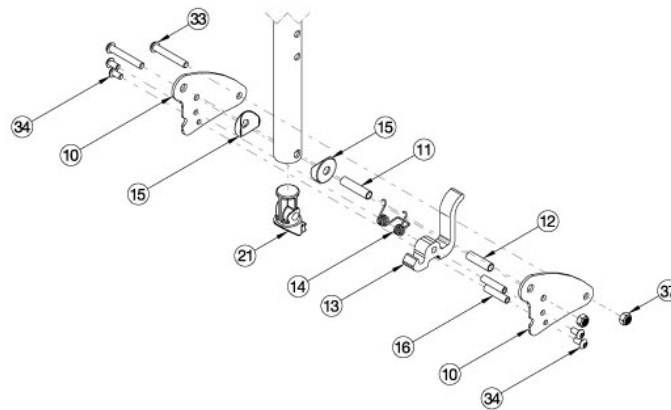


Arc Reclining Backrest with Folding Adjustable Handle



Handle Crosstube (Item 49)	
Chair Width Range	Part No.
Small & Large	110264
Medium & X-Large	110265



Latch Mechanism Detail

Callout #17: 10"-13" widths receive the curved tube and 14"-18" widths receive the straight shaped tube. For a complete retrofit, select the appropriate backrest assembly with latch mechanism, backrest roller kit, and rigidizer handle assembly. Requires the extended rear frame and anti-tips. When changing backrest types, check to see if new cables and tilt triggers are needed for both foot and hand tilts.

Item Number	Part Number	Description	Quantity
1, 10-16, 17a, 18a, 19-23, 24b, 25a, 26, 27a, 28-39	113845	Reclining Backrest Assembly with Latch Mechanism, Short, 10-13" Wide, Right, Arc	1
1, 10-16, 17b, 18a, 19-23, 24a, 25a, 26, 27b, 28-39	113846	Reclining Backrest Assembly with Latch Mechanism, Short, 10-13" Wide, Left, Arc	1

Item Number	Part Number	Description	Quantity
1, 10-16, 17a, 18b, 19-23, 24b, 25b, 26, 27a, 28-39	113847	Reclining Backrest Assembly with Latch Mechanism, Tall, 10-13" Wide, Right, Arc	1
1, 10-16, 17b, 18b, 19-23, 24a, 25b, 26, 27b, 28-39	113848	Reclining Backrest Assembly with Latch Mechanism, Tall, 10-13" Wide, Left, Arc	1
1, 10-16, 17c, 18a, 19-23, 24b, 25a, 26, 27a, 28-39	113849	Reclining Backrest Assembly with Latch Mechanism, Short, 14-18" Wide, Right, Arc	1
1, 10-16, 17d, 18a, 19-23, 24a, 25a, 26, 27b, 28-39	113850	Reclining Backrest Assembly with Latch Mechanism, Short, 14-18" Wide, Left, Arc	1
1, 10-16, 17c, 18b, 19-23, 24b, 25b, 26, 27a, 28-39	113851	Reclining Backrest Assembly with Latch Mechanism, Tall, 14-18" Wide, Right, Arc	1
1, 10-16, 17d, 18b, 19-23, 24a, 25b, 26, 27b, 28-39	113852	Reclining Backrest Assembly with Latch Mechanism, Tall, 14-18" Wide, Left, Arc	1
1, 2, 10-16, 17a, 18a, 19-23, 24b, 25a, 26, 27a, 28-39	113853	Reclining Backrest Assembly with Latch Mechanism, Transit, Short, 10-13" Wide, Right, Arc	1
1, 2, 10-16, 17b, 18a, 19-23, 24a, 25a, 26, 27b, 28-39	113854	Reclining Backrest Assembly with Latch Mechanism, Transit, Short, 10-13" Wide, Left, Arc	1
1, 2, 10-16, 17a, 18b, 19-23, 24b, 25b, 26, 27a, 28-39	113855	Reclining Backrest Assembly with Latch Mechanism, Transit, Tall, 10-13" Wide, Right, Arc	1
1, 2, 10-16, 17b, 18b, 19-23, 24a, 25b, 26, 27b, 28-39	113856	Reclining Backrest Assembly with Latch Mechanism, Transit, Tall, 10-13" Wide, Left, Arc	1
1, 2, 10-16, 17c, 18a, 19-23, 24b, 25a, 26, 27a, 28-39	113857	Reclining Backrest Assembly with Latch Mechanism, Transit, Short, 14-18" Wide, Right, Arc	1
1, 2, 10-16, 17d, 18a, 19-23, 24a, 25a, 26, 27b, 28-39	113858	Reclining Backrest Assembly with Latch Mechanism, Transit, Short, 14-18" Wide, Left, Arc	1
1, 2, 10-16, 17c, 18b, 19-23, 24b, 25b, 26, 27a, 28-39	113859	Reclining Backrest Assembly with Latch Mechanism, Transit, Tall, 14-18" Wide, Right, Arc	1
1, 2, 10-16, 17d, 18b, 19-23, 24a, 25b, 26, 27b, 28-39	113860	Reclining Backrest Assembly with Latch Mechanism, Transit, Tall, 14-18" Wide, Left, Arc	1
17a, 18a, 19, 20, 21, 28, 29	113861	Reclining Backrest Tube Assembly, Short, 10-13" Wide, Right, Arc	1

Item Number	Part Number	Description	Quantity
17b, 18a, 19, 20, 21, 28, 29	113862	Reclining Backrest Tube Assembly, Short, 10-13" Wide, Left, Arc	1
17a, 18b, 19, 20, 21, 28, 29	113863	Reclining Backrest Tube Assembly, Tall, 10-13" Wide, Right, Arc	1
17b, 18b, 19, 20, 21, 28, 29	113864	Reclining Backrest Tube Assembly, Tall, 10-13" Wide, Left, Arc	1
17c, 18a, 19, 20, 21, 28, 29	113865	Reclining Backrest Tube Assembly, Short, 14-18" Wide, Right, Arc	1
17d, 18a, 19, 20, 21, 28, 29	113866	Reclining Backrest Tube Assembly, Short, 14-18" Wide, Left, Arc	1
17c, 18b, 19, 20, 21, 28, 29	113867	Reclining Backrest Tube Assembly, Tall, 14-18" Wide, Right, Arc	1
17d, 18b, 19, 20, 21, 28, 29	113868	Reclining Backrest Tube Assembly, Tall, 14-18" Wide, Left, Arc	1
1, 11, 12, 22, 23, 32, 33, 37	113870	Reclining Backrest Hardware Kit, Standard, Arc	1
1, 2, 11, 12, 22, 23, 32, 33, 37	113871	Reclining Backrest Hardware Kit, Transit, Arc	1
10-16, 33, 34, 37	113869	Reclining Backrest Latch Mechanism Kit, Arc	1
2-9, 37	113546	Backrest Roller Kit, Arc	1
40, 42-44, 46, 48	113600	Rigidizer Handle Pivot Assembly with Adapter with Foam Grip, Arc	1
41-43, 45, 47, 48, 50-54	113601	Rigidizer Handle Latch Assembly with Adapter with Foam Grip, Arc	1
34, 40-48, 49a, 50-54	113602	Rigidizer Handle Complete Assembly, Small and Large Width Ranges, Arc	1
34, 40-48, 49b, 50-54	113603	Rigidizer Handle Complete Assembly, Medium and X-Large Width Ranges, Arc	1
1	110242	Back Plate, Recline	1
2	113844	Transit Back Plate, Recline, Arc	1
10	110244	Adapter Plate, Recline	2
11	110245	Spacer, .313ODx.243IDx1.290LG, SS	2
12	110246	Spacer, .313ODx.243IDx1.080LG, SS	2
13	110247	Latch, Recline	1
14	110248	Spring Latch, Recline	1
15	110249	Saddle, Recline	2
16	110250	Recline Latch Pin	2
21	001267	Plug, Back Tube, Lower, Recline	1
22	002595	Saddle, Dual, 1" OD X 1.5 SP	2
23	110289	Bearing, Flg, GFM-0810-10	2

Item Number	Part Number	Description	Quantity
24a	001264	Gas Spring Lock 92mm 20kg, Left (Standard Weight Capacity)	1
24b	001265	Gas Spring Lock 92mm 20kg, Right (Standard Weight Capacity)	1
25a, 26	113873	Reclining Backrest Cable, Short, Arc	1
25b, 26	113874	Reclining Backrest Cable, Long, Arc	1
26	101076	1/4" E Ring	1
27a	001299	Cover, Gas Spring, Right	1
27b	001298	Cover, Gas Spring, Left	1
30	002801	Lever Assembly Horizontal Tilt	1
31	101814	M8 x 25 BHCS Blk Zn	1
32	101781	M6 x 50mm Partial Thread BHCS Blk ZC	6
33	100797	M6 x 40 BHCS BLK ZC	2
34	100669	M5 x 10 BTN SHCS BLKZC w/Patch	4
35	100659	M8 Nylock Nut Blk Zn	1
36	102329	M4 Nylock Nut Blk Zn	1
37	100658	M6 Nylock Nut Blk Zn	8
38	100734	M5 x 16 PHMS ZC	1
39	102328	M4 x 25 Pan Head Phil Blk Zn	1
40	110291	E-RING, M13-M18, DIN6799, ZC	1
41	101185	M6 x 14 CLS8.8 DIN7984 Low SHCS BLKZC	2
42	102614	M5 Split Lock Washer BLK ZC	1
43	101766	M5 x 10 CLS12.9 DIN912 SHCS PLN	1
45	110259	Adapter, Latch, Rigidizer Handle	1
49a	110264	Cross Tube, Rigidizer Handle, 14-16 Wide	1
49b	110265	Cross Tube, Rigidizer Handle, 16-18 Wide	1
54	110290	SHCS, M4 x 0.7 x 18, CLS12.9, BLZ, NYL, DIN912	2