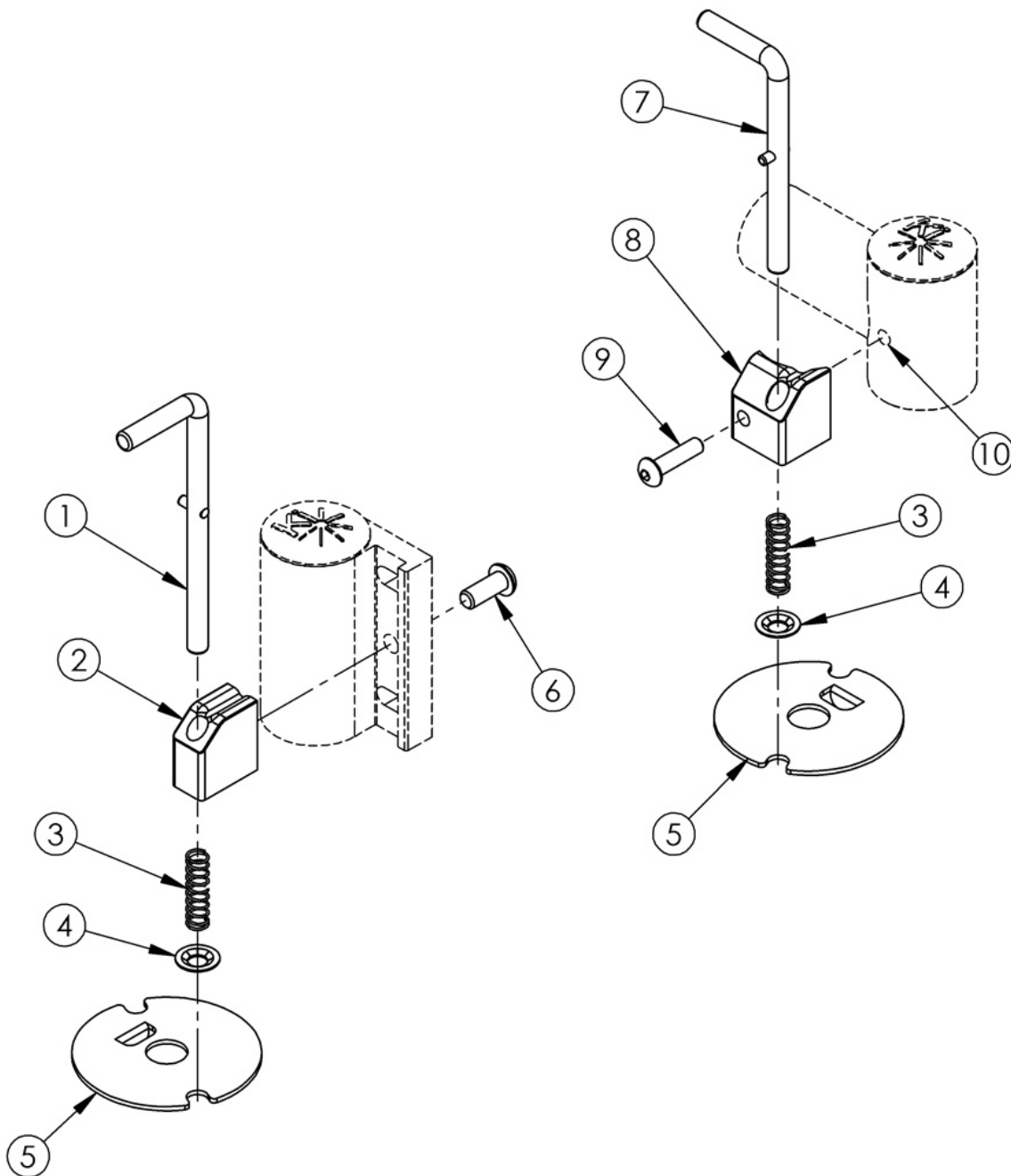


(Discontinued) Caster Pin Locks



This design effective on serial numbers prior to TS010961, TSLW003890, TSHD003974, TSTR004740 and RG0018469 If replacing caster housings or caster lock mounting blocks with this Caster Pin Lock design, you must order new caster housings, caster lock mounting blocks and M5 split lock washers. See current Tsunami Caster Pin Locks page. Item Numbers 1, 2 and 6 are used on Catalyst models.

Item Number	Part Number	Description	Quantity
3	200418	Caster Pin Lock Spring	1

Item Number	Part Number	Description	Quantity
4	102043	1/4" Pushnut Plated	1
5a	000397L	Caster Pin Lock Plate Left	1
5b	000397R	Caster Pin Lock Plate Right	1
6	101721	M6 X 16 Btn Shcs W/ Patch	1
7a	000444	Caster Lock Pin Std, RG ALX	1
7b	000443	Caster Lock Pin 3/4, RG ALX	1
8a	200419	Caster Lock Mounting Block Left, RG ALX	1
8b	200420	Caster Lock Mounting Block Right, RG ALX	1
9	101117	M5 x 22 BTN SHCS BLK ZC	1
10	100657	M5 Nylock Nut Blk Zn	1