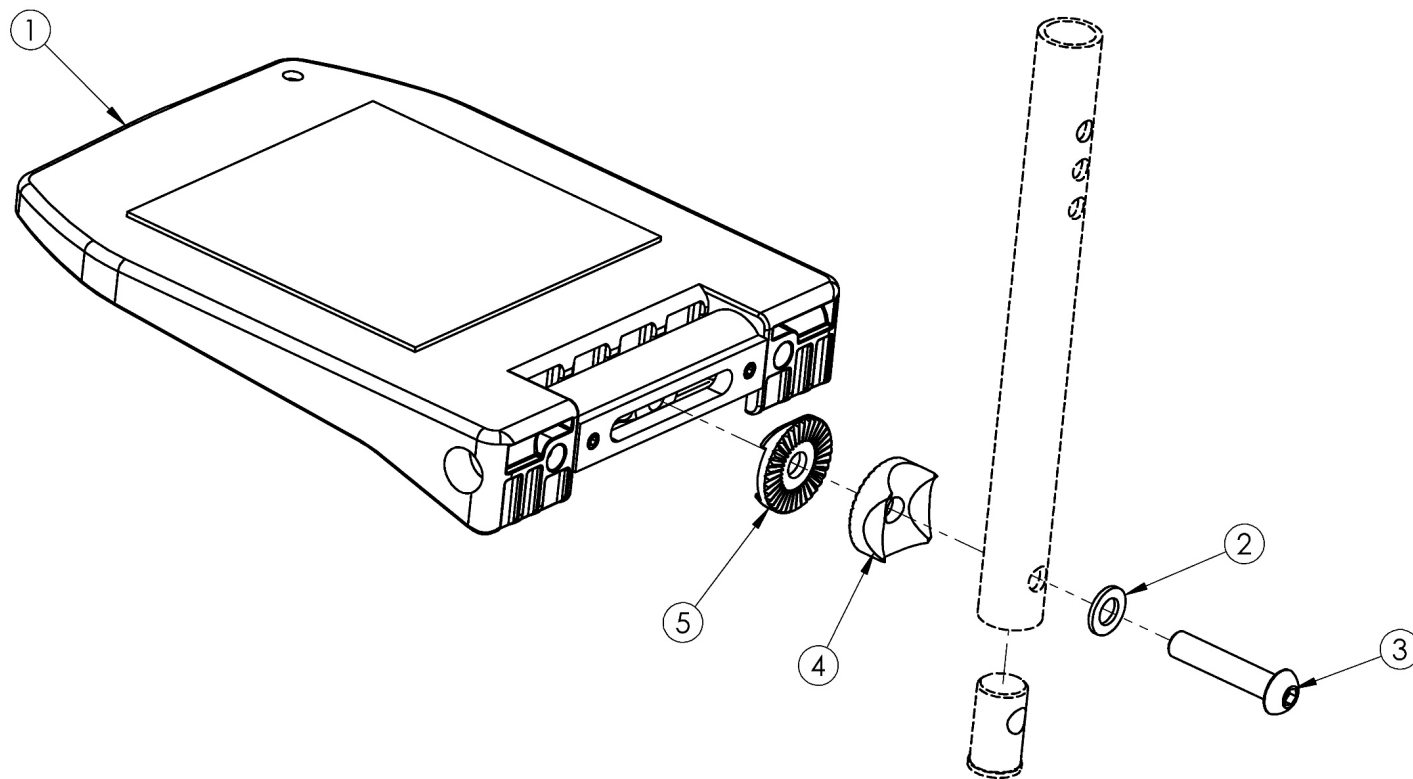


Focus / Flip / Arc Composite Angle Adjustable Footplate



Part #	Used on Chair Widths		Size
	Standard Hanger	Offset Hanger	
	Composite Angle Adjustable	Composite Angle Adjustable	
003173	15"-16"	N/A	6.3" x 6.3"
003174	17"-18"	15"-16"	7.1" x 6.3"
003175	19"-22"	17"-22"	8.1" x 6.3"

If changing to Composite Angle Adjustable Footplates, new extension tubes are required. Sizes for footplates are based on seat width with straight frame; if Tilt chair has Offset Frame, add 2" to seat width Only compatible with extension tube hangers.

Item Number	Part Number	Description	Quantity
2 - 5	503726	Extension Tube Hardware Assembly for Composite Angle Adjustable Footplate <i>Used only for Extension Tube Mount Hangers for Pro ELR assembly please go to Pro ELR PM page.</i>	1
1a	003173	Composite Angle Adjustable Footplate Small 15-16" Wide	1
1b	003174	Composite Angle Adjustable Footplate Medium 17-18" Wide	1
1c	003175	Composite Angle Adjustable Footplate Large 19-24" Wide	1
2	003188	Washer D8.4 x 1.6 MM	1

Item Number	Part Number	Description	Quantity
3	003189	Bolt M8 x 45MM, Galvanized Steel	1
4	003187	Locking Wheel w/Radius, R12.5 & R10, D30 x 11.3, Cast Steel, Black	1
5	003186	Locking Wheel w/Hexagon, D30 x 6.8/6, Cast Steel, Black	1