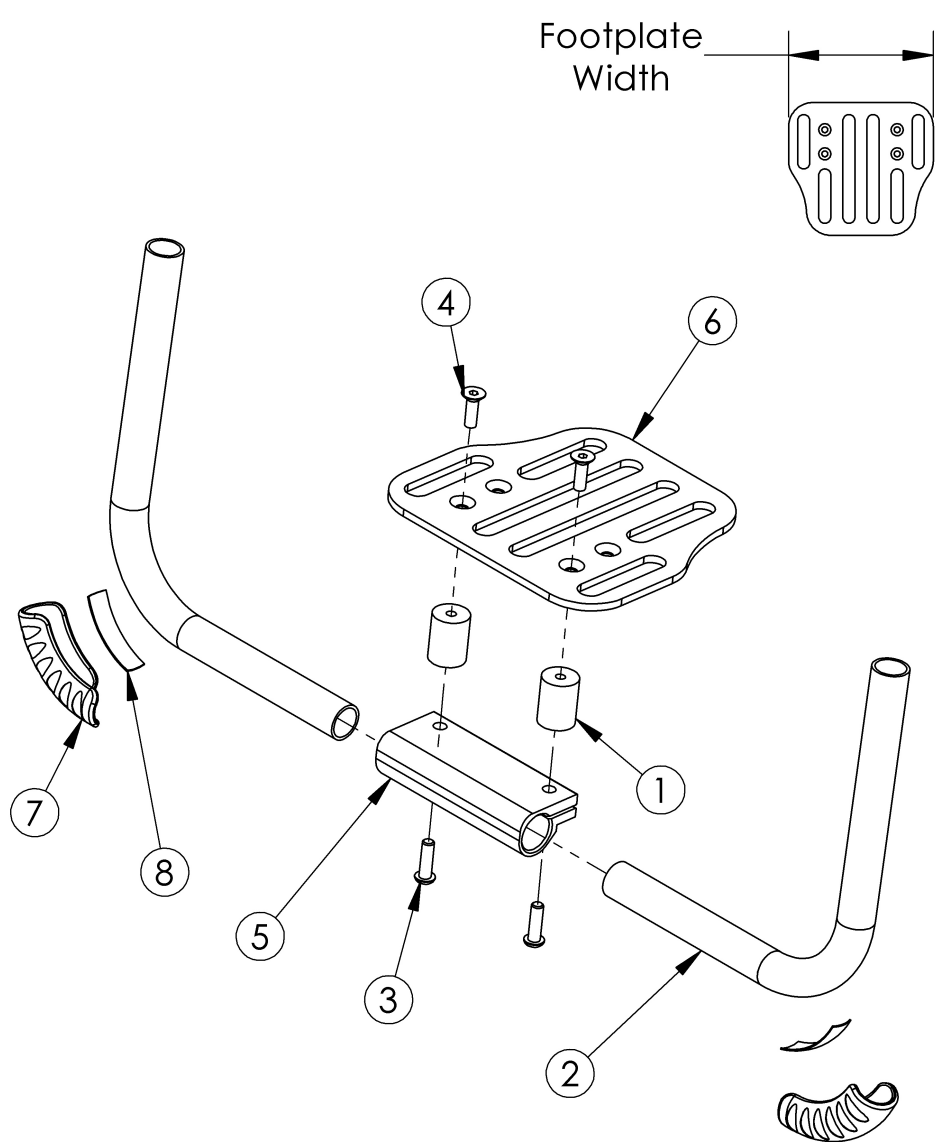
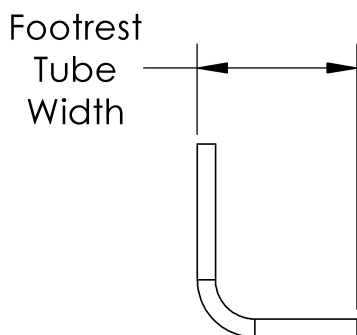


# Rigid Angle Adjustable Footrest With Risers



Part No.	Width
000225	6.0"
001322	7.0"
000226	8.0"
001323	9.0"
000227	10.0"
001319	12.0"

000598	1.0"
000599	2.0"
000600	3.0"
000601	4.0"
000602	5.0"



Part No.	Width
000221	5.6"
000222	6.6"
000223	7.6"
000224	8.6"
000625	10.6"

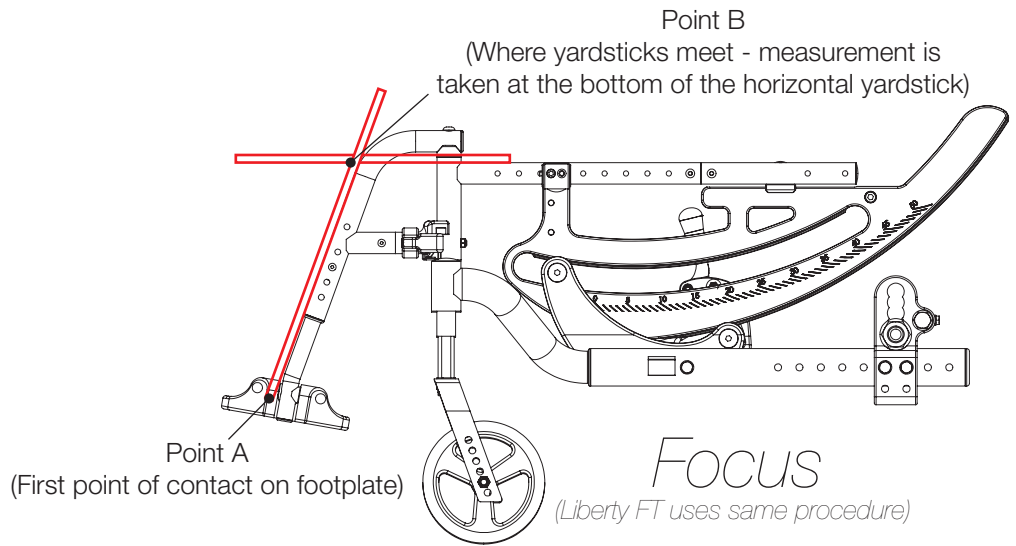
Footrest assemblies based on straight frame. If changing from a high mount footrest to a frame inserted footrest on a Rogue or Tsunami, please see the appropriate Rigid Frame page for necessary hardware. On Tsunami, if footrest is installed prior to December 2012, new attaching hardware is required. Not available with Heavy Duty Option

Item Number	Part Number	Description	Quantity
2a, 3 - 5, 6a	503132	Footrest Assembly Ang Adj 10" Wide for 2" - 5" Riser Rigid <i>Risers not included.</i>	1
2a, 3 - 5, 6b	503133	Footrest Assembly Ang Adj 11" Wide for 2" - 5" Riser Rigid <i>Risers not included.</i>	1
2a, 3 - 5, 6c	503134	Footrest Assembly Ang Adj 12" Wide for 2" - 5" Riser Rigid <i>Risers not included.</i>	1
2a, 3 - 5, 6d	503135	Footrest Assembly Ang Adj 13" Wide for 2" - 5" Riser Rigid <i>Risers not included.</i>	1
2b, 3 - 5, 6e	503136	Footrest Assembly Ang Adj 14", 15" Wide for 2" - 5" Riser Rigid <i>Risers not included.</i>	1
2c, 3 - 5, 6e	503137	Footrest Assembly Ang Adj 16" Wide for 2" - 5" Riser Rigid <i>Risers not included.</i>	1
2c, 3 - 5, 6f	503138	Footrest Assembly Ang Adj 17" Wide for 2" - 5" Riser Rigid <i>Risers not included.</i>	1
2d, 3 - 5, 6f	503139	Footrest Assembly Ang Adj 18", 19" Wide for 2" - 5" Riser Rigid <i>Risers not included.</i>	1
2e, 3 - 5, 6f	503140	Footrest Assembly Ang Adj 20" - 22" Wide for 2" - 5" Riser Rigid <i>Risers not included.</i>	1
2a,3 - 5, 6a	500772	Footrest Assembly Ang Adj 10", 11" Wide for No Riser/1" Riser Rigid <i>Risers not included.</i>	1
2a, 3 - 5, 6b	500773	Footrest Assembly Ang Adj 12" Wide for No Riser/1" Riser Rigid <i>Risers not included.</i>	1
2a,3 - 5, 6c	500774	Footrest Assembly Ang Adj 13" Wide for No Riser/1" Riser Rigid <i>Risers not included.</i>	1
2b, 3 - 5, 6d	500775	Footrest Assembly Ang Adj 14" Wide for No Riser/1" Riser Rigid <i>Risers not included.</i>	1
2b, 3 - 5, 6e	500776	Footrest Assembly Ang Adj 15" Wide for No Riser/1" Riser Rigid <i>Risers not included.</i>	1
2c, 3 - 5, 6e	500777	Footrest Assembly Ang Adj 16", 17" Wide for No Riser/1" Riser Rigid <i>Risers not included.</i>	1
2d, 3 - 5, 6f	500778	Footrest Assembly Ang Adj 18", 19" Wide for No Riser/1" Riser Rigid <i>Risers not included.</i>	1
2e, 3 - 5, 6f	503130	Footrest Assembly Ang Adj 20" - 22" Wide for No Riser/1" Riser Rigid <i>Risers not included.</i>	1
1a, 3a, 4a	502321	Rigid Footplate Riser 1" w/ Hardware Assembly, PAIR	1

Item Number	Part Number	Description	Quantity
1b, 3a, 4a	502322	Rigid Footplate Riser 2" w/ Hardware Assembly, PAIR	1
1c, 3a, 4a	502323	Rigid Footplate Riser 3" w/ Hardware Assembly, PAIR	1
1d, 3a, 4a	502324	Rigid Footplate Riser 4" w/ Hardware Assembly, PAIR	1
1e, 3a, 4a	502325	Rigid Footplate Riser 5" w/ Hardware Assembly, PAIR	1
7, 8	501739	Footrest Protector w/ Instructions Kit Left Rigid	1
7, 8	501740	Footrest Protector w/ Instructions Kit Right Rigid	1
7, 8	501741	Footrest Protector w/ Instructions Kit PAIR Rigid	1
1a	000598	Rigid Footplate Riser 1"	2
1b	000599	Rigid Footplate Riser 2"	2
1c	000600	Rigid Footplate Riser 3"	2
1d	000601	Rigid Footplate Riser 4"	2
1e	000602	Rigid Footplate Riser 5"	2
2a	000221	Footrest Tube Angle Adjustable 5.6" Rigid	2
2b	000222	Footrest Tube Angle Adjustable 6.6" Rigid	2
2c	000223	Footrest Tube Angle Adjustable 7.6" Rigid	2
2d	000224	Footrest Tube Angle Adjustable 8.6" Rigid	2
2e	000625	Footrest Tube Angle Adjustable 10.6" Rigid	2
3	101180	M6 x 20 SHCS BLK ZC	2
4	101594	M6 x 14 CLS10.9 DIN7991 FSHCS BLKZC w/Patch	2
5	100789	Footrest Adjustable Clamp 5"	1
6a	000225	Footrest Platform Angle Adjustable 6"	1
6b	001322	Footrest Platform Angle Adjustable 7"	1
6c	000226	Footrest Platform Angle Adjustable 8"	1
6d	001323	Footrest Platform Angle Adjustable 9"	1
6e	000227	Footrest Platform Angle Adjustable 10"	1
6f	001319	Footrest Platform Angle Adjustable 12"	1

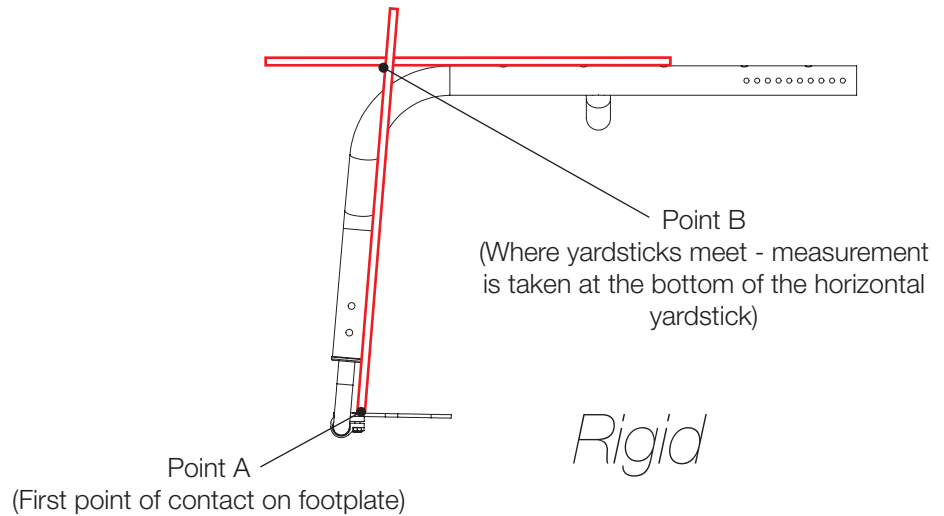
Distance between Point A and Point B = Footplate Length

**NOTE:** The yardstick on the top plane of the seat frame must lie flat against frame. The yardstick going from the footplate to the second yardstick must be square against the hanger tube.



Distance between Point A and Point B = Footplate Length

**NOTE:** The yardstick on the top plane of the seat frame must lie flat against frame. The yardstick going from the footplate to the second yardstick must be square against the front tube.



Distance between Point A and Point B = Footplate Length

**NOTE:** The yardstick on the top plane of the hanger must lie flat against hanger. The yardstick going from the footplate to the second yardstick must be square against the hanger tube.

