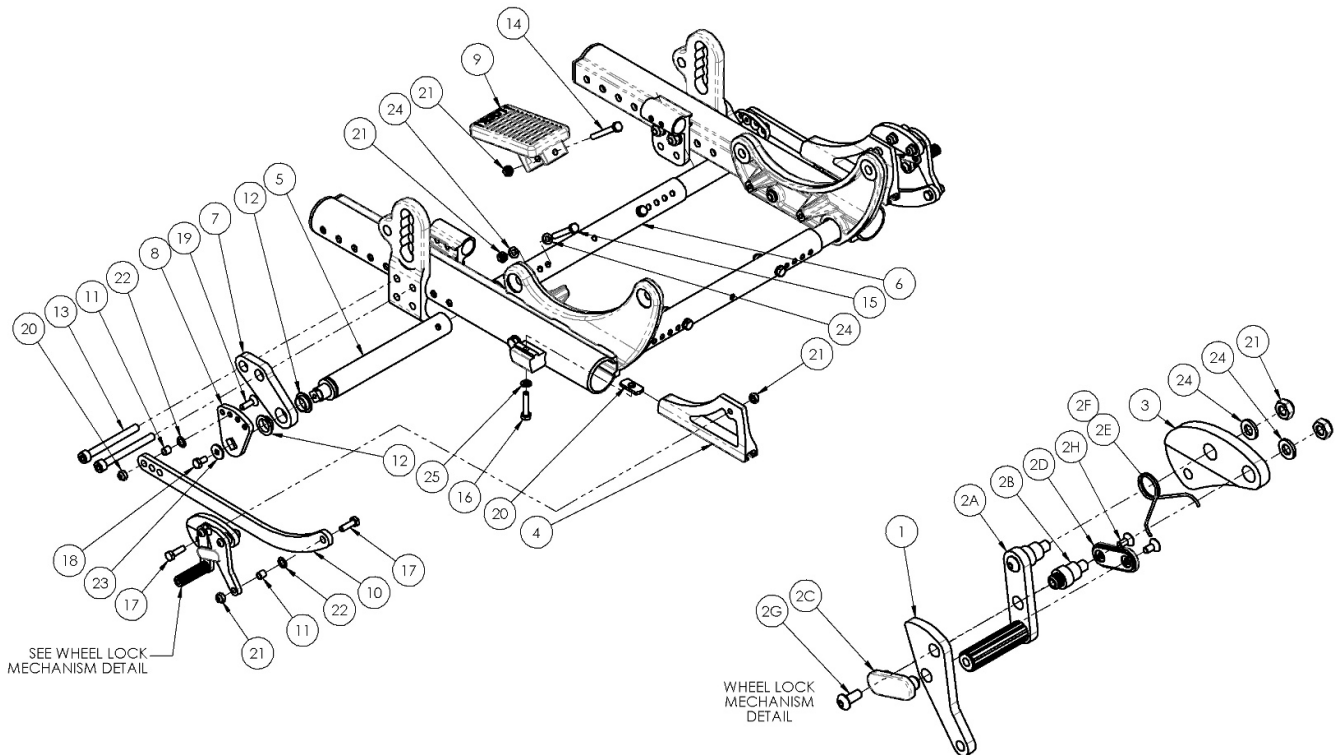


# Discontinued Focus CR Attendant Foot Lock



*This Focus CR attendant Foot Lock is discontinued. Please contact Customer Service for more information.*

| Item Number    | Part Number | Description                                     | Quantity |
|----------------|-------------|---|----------|
| 7a, 12         | 501121      | Foot Lock Mount Assembly w/ Bearing Right Focus | 1        |
| 7b, 12         | 501122      | Foot Lock Mount Assembly w/ Bearing Left Focus  | 1        |
| 6a, 15, 21, 24 | 501123      | Base/Axle/Foot Lock Strut Assembly Small Focus  | 1        |
| 6b, 15, 21, 24 | 501124      | Base/Axle/Foot Lock Strut Assembly Medium Focus | 1        |
| 6c, 15, 21, 24 | 501125      | Base/Axle/Foot Lock Strut Assembly Large Focus  | 1        |
| 1a, 2A-2H      | 001142      | Wheel Lock Foot Right Tilt                      | 1        |
| 1b, 2A - 2H    | 001143      | Wheel Lock Foot Left Tilt                       | 1        |
| 4a             | 001138      | Plate Wheel Lock Right Tilt                     | 1        |
| 4b             | 001139      | Plate Wheel Lock Left Tilt                      | 1        |
| 5              | 001145      | Strut Foot Lock Tilt                            | 2        |

| Item Number | Part Number | Description                                     | Quantity |
|-------------|-------------|---|----------|
| 6a          | 001011      | Growth Strut, Base, Small Tilt                  | 1        |
| 6b          | 001012      | Growth Strut, Base, Medium Tilt                 | 1        |
| 6c          | 001013      | Growth Strut, Base, Large Tilt                  | 1        |
| 8           | 001150      | Index Plate Foot Lock Tilt                      | 2        |
| 11          | 001156      | Pivot Bushing Tilt                              | 4        |
| 12          | 001157      | IGUS Bushing GFM-1618-06                        | 4        |
| 13a         | 101851      | M8 x 80 SHCS Blk Zn                             | 4        |
| 13b         | 101852      | M8 x 90 SHCS Blk Zn                             | 4        |
| 14          | 101826      | M6 x 50 HHCS Blk Zn                             | 1        |
| 15          | 101825      | M6 x 40 HHCS Blk Zn                             | 2        |
| 16          | 101824      | M6 x 30 HHCS Blk Zn                             | 2        |
| 17          | 101823      | M6 x 20 HHCS Blk Zn                             | 6        |
| 18          | 101822      | M6 x 12 HHCS BLKZC w/Patch                      | 2        |
| 19          | 100866      | M6 x 20 CLS12.9 DIN7991 FSHCS Blk Zc<br>w/Patch | 2        |
| 20          | 001141      | Weld Nut NDM 06028 Zinc                         | 2        |
| 21          | 100658      | M6 Nylock Nut Blk Zn                            | 13       |
| 22          | 101861      | Nylon Washer 5/16 x 1/2 x .03                   | 4        |
| 23          | 101853      | M6 Washer Blk Zn                                | 2        |
| 24          | 100746      | M6 Flat Washer Blk Zn                           | 8        |
| 25          | 101835      | M6 Lock Washer Blk Zn                           | 2        |