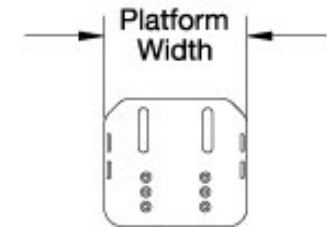
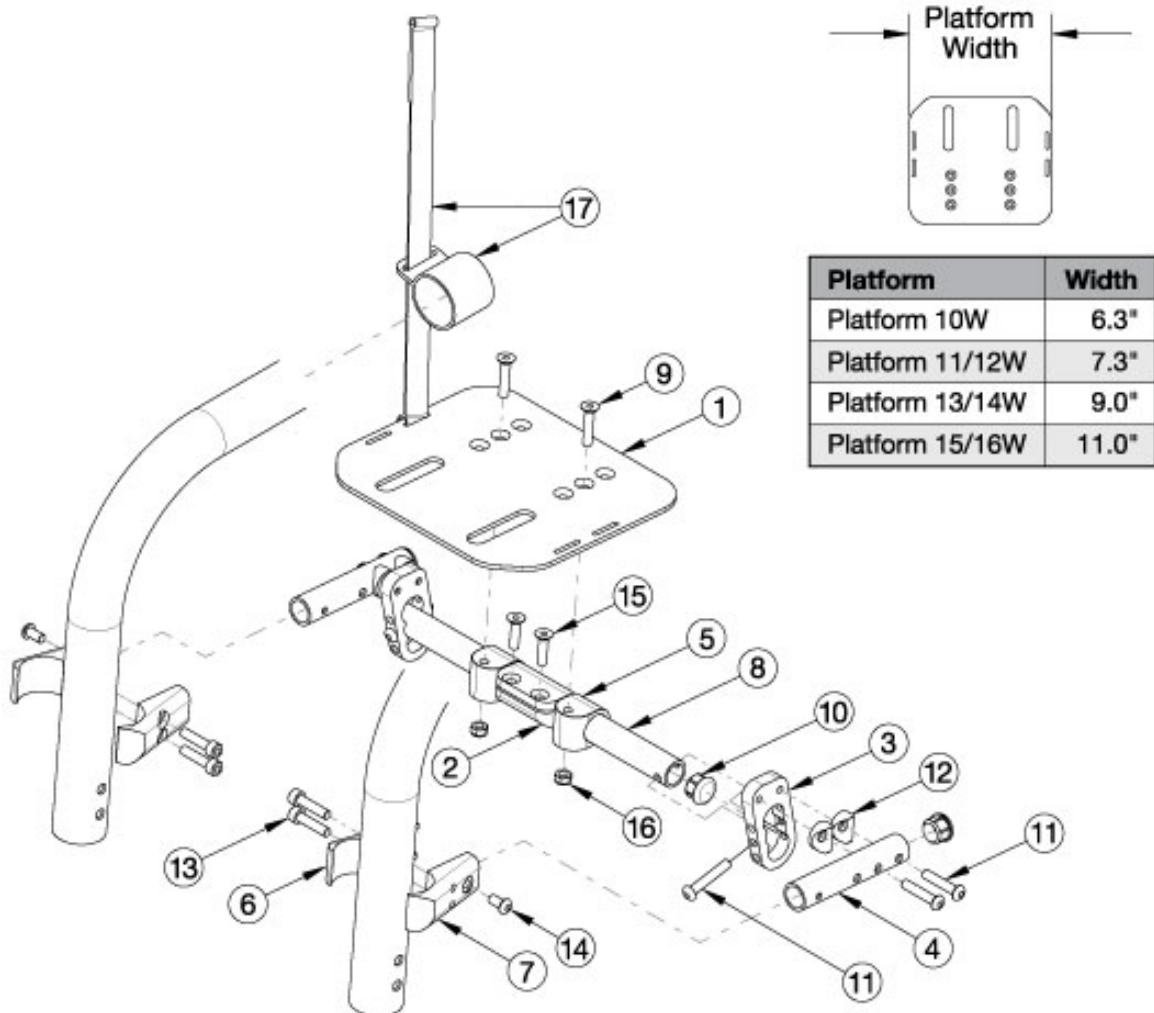
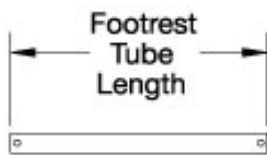


Clik High Mount Angle Adjustable Flip Under Footrest

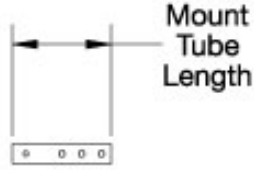


Platform	Width
Platform 10W	6.3"
Platform 11/12W	7.3"
Platform 13/14W	9.0"
Platform 15/16W	11.0"

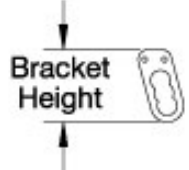


Footrest Tube	Length
Footrest Tube 3.8"	3.8"
Footrest Tube 4.3"	4.3"
Footrest Tube 4.8"	4.8"
Footrest Tube 5.3"	5.3"
Footrest Tube 5.8"	5.8"
Footrest Tube 6.3"	6.3"
Footrest Tube 6.8"	6.8"
Footrest Tube 7.3"	7.3"
Footrest Tube 7.8"	7.8"

Mount Tube	Length
Mount Tube	3.8"
Mount Tube Long	4.8"



Bracket	Height
Bracket Std	2.8"
Bracket Long	3.8"



If retrofitting to a high mount footrest, add part number 002791 (Seat Tube End Cap).

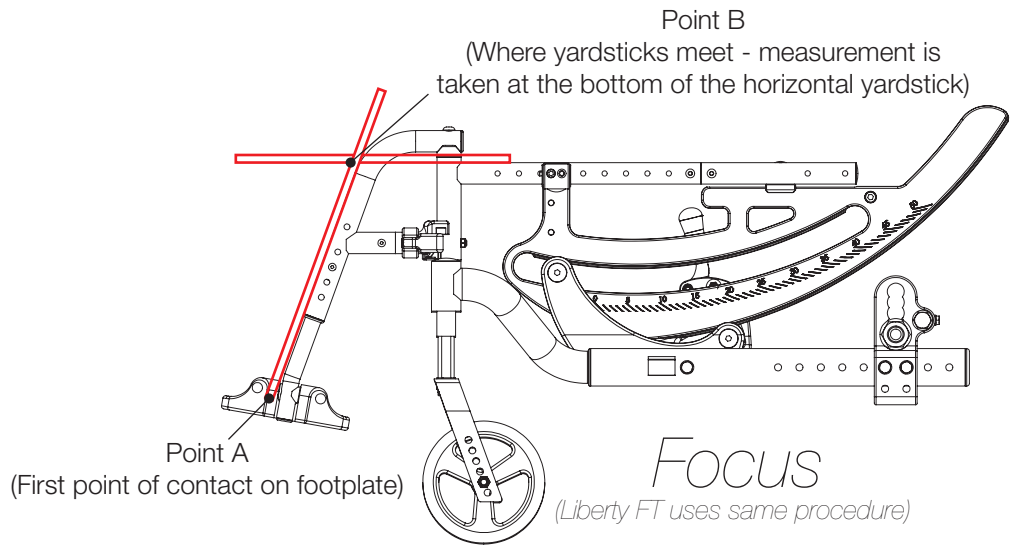
Item Number	Part Number	Description	Quantity
1a, 2, 3a, 4a, 5-7, 8a, 9-17	502707	Footrest Assembly High Mount Flip Under 8" Wide Klik	1
1a, 2, 3a, 4b, 5-7, 8a, 9-17	502718	Footrest Assembly High Mount Flip Under for 2" Sling Position 8" Wide Klik	1
1a, 2, 3a, 4a, 5-7, 8b, 9-17	502708	Footrest Assembly High Mount Flip Under 9" Wide Klik	1
1d, 2, 3a, 4a, 5-7, 8e, 9-17	502711	Footrest Assembly High Mount Flip Under 9" Offset Klik	1
1a, 2, 3a, 4b, 5-7, 8b, 9-17	502719	Footrest Assembly High Mount Flip Under for 2" Sling Position 9" Wide Klik	1
1b, 2, 3a, 4a, 5-7, 8c, 9-17	502709	Footrest Assembly High Mount Flip Under 10" Wide Klik	1
1b, 2, 3a, 4b, 5-7, 8c, 9-17	502720	Footrest Assembly High Mount Flip Under for 2" Sling Position 10" Wide Klik	1
1c, 2, 3a, 4a, 5-7, 8d, 9-17	502710	Footrest Assembly High Mount Flip Under 11" Wide / 8" Offset Klik	1
1e, 2, 3a, 4a, 5-7, 8g, 9-17	502713	Footrest Assembly High Mount Flip Under 11" Offset Klik	1
1c, 2, 3a, 4b, 5-7, 8d, 9-17	502721	Footrest Assembly High Mount Flip Under for 2" Sling Position 11" Wide Klik	1
1d, 2, 3a, 4a, 5-7, 8e, 9-17	503803	Footrest Assembly High Mount Flip Under 12" Wide Klik	1
1d, 2, 3a, 4a, 5-7, 8f, 9-17	502712	Footrest Assembly High Mount Flip Under 13" Wide / 10" Offset Klik	1
1e, 2, 3a, 4a, 5-7, 8g, 9-17	503804	Footrest Assembly High Mount Flip Under 14" Wide Klik	1
1e, 2, 3a, 4a, 5-7, 8h, 9-17	502714	Footrest Assembly High Mount Flip Under 15" Wide / 12" Offset Klik	1
1c, 2, 3a, 4b, 5-7, 8e, 9-17	502722	Footrest Assembly High Mount Flip Under for 2" Sling Position 12" Wide Klik	1
1f, 2, 3a, 4a, 5-7, 8i, 9-17	502715	Footrest Assembly High Mount Flip Under 16" Wide / 13" Offset Klik	1
1d, 2, 3a, 4b, 5-7, 8f, 9-17	502723	Footrest Assembly High Mount Flip Under for 2" Sling Position 13" Wide Klik	1
1f, 2, 3a, 4a, 5-7, 8j, 9-17	502716	Footrest Assembly High Mount Flip Under 14" Offset Klik	1
1d, 2, 3a, 4b, 5-7, 8g, 9-17	502724	Footrest Assembly High Mount Flip Under for 2" Sling Position 14" Wide Klik	1
1f, 2, 3a, 4a, 5-7, 8k, 9-17	502717	Footrest Assembly High Mount Flip Under 15" Offset Klik	1
1e, 2, 3a, 4b, 5-7, 8h, 9-17	502725	Footrest Assembly High Mount Flip Under for 2" Sling Position 15" Wide Klik	1
1f, 2, 3a, 4b, 5-7, 8i, 9-17	502726	Footrest Assembly High Mount Flip Under for 2" Sling Position 16" Wide Klik	1
1f, 2, 3a, 4a, 5-7, 8j, 9-17	505235	Footrest Assembly Aluminum High Mount Flip Extended 17" Rigid	1
1f, 2, 3a, 4b, 5-7, 8j, 9-17	502727	Footrest Assembly High Mount Flip Under for 2" Sling Position 17" Wide Klik	1
1f, 2, 3a, 4a, 5-7, 8k, 9-17	505236	Footrest Assembly Aluminum High Mount Flip Extended 18" Rigid	1
1f, 2, 3a, 4b, 5-7, 8k, 9-17	502728	Footrest Assembly High Mount Flip Under for 2" Sling Position 18" Wide Klik	1

Item Number	Part Number	Description	Quantity
6, 7, 13, 14	502975	Footrest Clamp Assembly High Mount Angle Adj Flip Under One Side Clik	1
1a	002438	Footrest Platform High Mount Angle Adjustable Flip Under 4.3"	1
1b	000969	Footrest Platform High Mount Angle Adjustable Flip Under 6.3"	1
1c	000970	Footrest Platform High Mount Angle Adjustable Flip Under 7.3"	1
1d	000971	Footrest Platform High Mount Angle Adjustable Flip Under 9"	1
1e	000972	Footrest Platform High Mount Angle Adjustable Flip Under 11"	1
1f	002048	Footrest Platform High Mount Angle Adjustable Flip Under 13"	1
2	000953	Footrest Flip Stop Clamp Rigid	1
3a	000687	Footrest Flip Mount Bracket Rigid	2
3b	000908	Footrest Flip Mount Bracket Long Rigid <i>Used as needed to achieve Seat to Footrest Length</i>	2
4a	000686	Footrest Flip Mount Tube Rigid <i>Used on chairs with -1", 0" or 1" Sling Position</i>	2
4b	000907	Footrest Flip Mount Tube Long Rigid <i>Used on chairs with 2" or more Sling Position</i>	2
5	000954	Footrest Flip Pivot Rigid	2
6	002419	Top Clamp Footplate 1.125	2
7	002420	Bottom Clamp Footplate 1.125	2
8a	001422	Footrest Tube 2.8" Rigid	2
8b	001423	Footrest Tube 3.3" Rigid	2
8c	000688	Footrest Tube 3.8" Rigid	2
8d	000689	Footrest Tube 4.3" Rigid	2
8e	000690	Footrest Tube 4.8" Rigid	2
8f	000691	Footrest Tube 5.3" Rigid	2
8g	000692	Footrest Tube 5.8" Rigid	2
8h	000693	Footrest Tube 6.3" Rigid	2
8i	000694	Footrest Tube 6.8" Rigid	2
8j	002406	Footrest Tube 7.3" Rigid	2
8k	002407	Footrest Tube 7.8" Rigid	2

Item Number	Part Number	Description	Quantity
9	101733	M6 x 35 CLS10.9 DIN7991 FSHCS BLKZC	2
10	100638	Tube End Plug 3/4"	2
11	101119	M6 X 32 BHCS bright	4
12	000053	Saddle 3/4"	4
13	100780	M6 x 25 SHCS ZC	4
14	100667	M6 x 12 BTN SHCS BLKZC w/Patch	2
15	100866	M6 x 20 CLS12.9 DIN7991 FSHCS Blk Zc w/Patch	2
16	100658	M6 Nylock Nut Blk Zn	2
17	101082	Footrest High Mount Flip Foot Strap Rigid	1

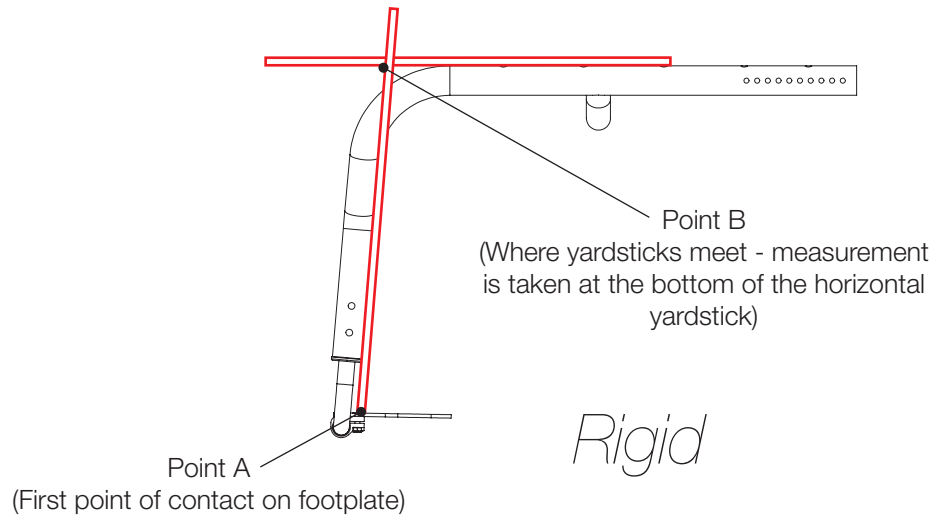
Distance between Point A and Point B = Footplate Length

NOTE: The yardstick on the top plane of the seat frame must lie flat against frame. The yardstick going from the footplate to the second yardstick must be square against the hanger tube.



Distance between Point A and Point B = Footplate Length

NOTE: The yardstick on the top plane of the seat frame must lie flat against frame. The yardstick going from the footplate to the second yardstick must be square against the front tube.



Distance between Point A and Point B = Footplate Length

NOTE: The yardstick on the top plane of the hanger must lie flat against hanger. The yardstick going from the footplate to the second yardstick must be square against the hanger tube.

