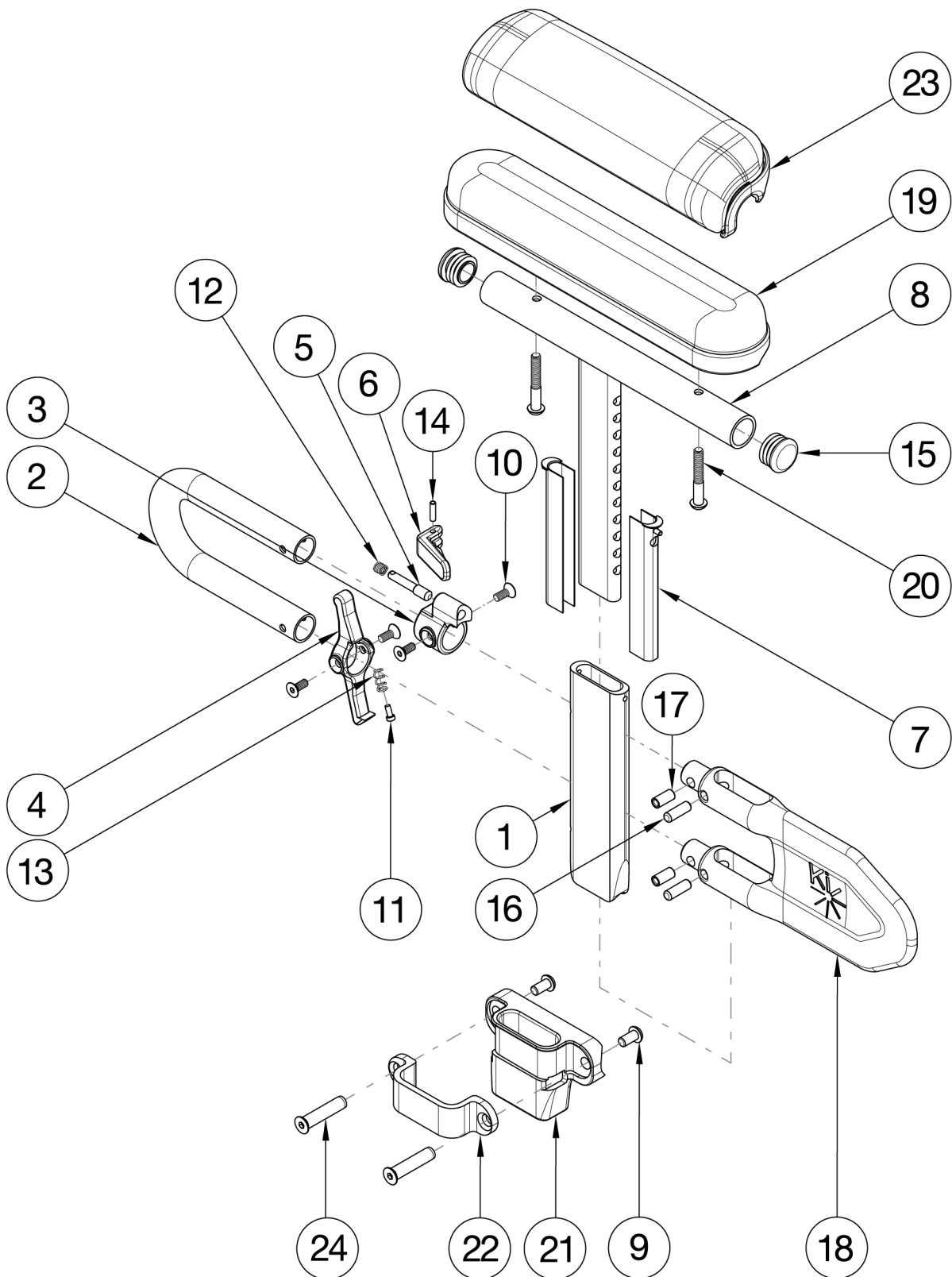


Catalyst Height Adjustable Low T-Arm



Receiver and Hardware update effective 11/25/24 If retrofitting, Receivers are needed. If retrofitting to Height Adjustable Low T-Arms and One Arm Drive is present, a new drive shaft may be required. In addition to a new drive shaft, order the corresponding hardware kit: 109438 for Blade Style One Arm Drive, 503433 for Hex Style One Arm Drive or 112898 for Quick Release Style One Arm Drive

Item Number	Part Number	Description	Quantity
1a, 2b, 3-17, 19a, 22, 24	121213	Height Adj T-Arm Assm Low, Desk w/ Std Pad and Receiver PAIR	1
1a, 2b, 3-17, 19a, 22, 24	121207	Height Adj T-Arm Assm Low, Desk w/ Std Pad and Receiver	1
1b, 2a, 3-17, 19a, 22, 24	113453	Height Adj T-Arm Assm Low, Full w/ Std Pad and Receiver PAIR	1
1b, 2a, 3-17, 19a, 22, 24	113349	Height Adj T-Arm Assm Low, Full w/ Std Pad and Receiver	1
1a, 3-17, 19b, 22, 23b, 24	121215	Height Adj T-Arm Assm Low, Desk w/ Waterfall Pad and Receiver PAIR	1
1a, 3-17, 19b, 22, 23b, 24	121208	Height Adj T-Arm Assm Low, Desk w/ Waterfall Pad and Receiver	1
1b, 3-17, 19b, 22, 23a, 24	113455	Height Adj T-Arm Assm Low, Full w/ Waterfall Pad and Receiver PAIR	1
1b, 3-17, 19b, 22, 23a, 24	113353	Height Adj T-Arm Assm Low, Full w/ Waterfall Pad and Receiver	1
1a, 2b, 3-15, 19a, 20	121241	Height Adjustable T-Arm Assembly Low, Desk w/ Std Pad	1
1b, 2a, 3-15, 19a, 20	503169	Height Adjustable T-Arm Assembly Low Full w/ Std Pad	1
1a, 3-15, 19b, 20, 23b	121243	Height Adjustable T-Arm Assembly Low, Desk w/ Waterfall Pad	1
1b, 3-15, 19b, 20, 23a	503185	Height Adjustable T-Arm Assembly Low Full w/ Waterfall Pad	1
1a, 3-15, 20	114488	Height Adjustable T-Arm, Desk, Low <i>Replaced 002681 / 002682</i>	1
1b, 3-15, 20	002683	Arm T Height Adjustable Low, Full Right Assembly	1
1b, 3-15, 20	114489	Height Adjustable T-Arm, Full, Low <i>Replaced 002683 / 002684</i>	1
16, 17, 22, 24	501730	Height Adj T-Arm Receiver Assm 1" CAT	1
1a, 20	002648	Post Weldment, T-Arm, Low, Desk	1
1b, 20	002649	Post Weldment, T-Arm, Low, Full	1
2a	100500	Arm Pad Full	1
2b	100501	Arm Pad Desk	1
3	000090	Height Adjustable T Armrest Shim	2
4	002105	Tube, Outer, T-Arm, Low	1
7	002104	Transfer Tube, T-Arm, Low	1
9	200257	Dowel Pin 1/8 x 1/2	1

Item Number	Part Number	Description	Quantity
10	000134	Height Adjustable Armrest Lever Spring	1
11	000099	Height Adjustable Armrest Lever Pin	1
12	000096	Height Adjustable T Armrest Pin Lock Housing	1
8-12	500541	Arm Height Adjustable T Upper Lever Assembly	1
13	002106	Lever, T-Arm, Low	1
14	000135	Height Adjustable T Armrest Release Lever Spring	1
15	000152	Height Adjustable T Armrest Release Spring Button	1
16	122221	T-Arm Receiver 1", Cat	1
17	122222	Height Adjustable T Armrest Bracket, CAT/SPARK	1
19a	100696	M5 x 30mm PPH Capscrew <i>Used with Standard Arm Pads</i>	2
19b	100654	M5 x 40 DIN7985 PH Pan HD M/S ZC <i>Used with Waterfall Arm Pads</i>	2
20	100803	Tube End Plug 7/8"	2
22	100667	M6 x 12 BTN SHCS BLKZC w/Patch	2
23a	102452	Waterfall Arm Pad Full	1
23b	102521	Waterfall Arm Pad Desk	1
24	122055	Binding Post, Flat Head, M6, .38"	2