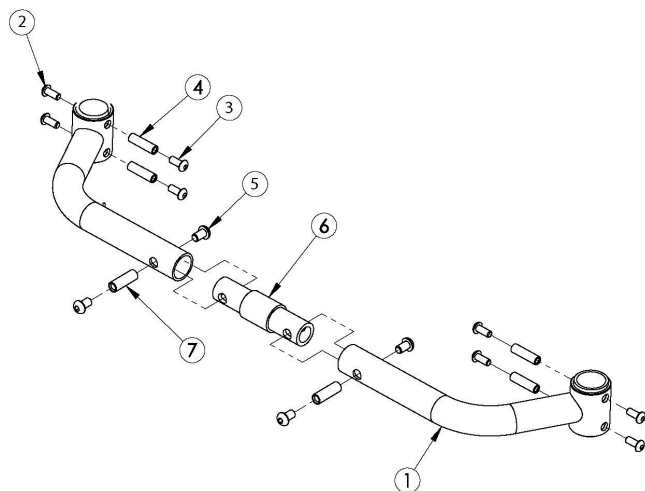
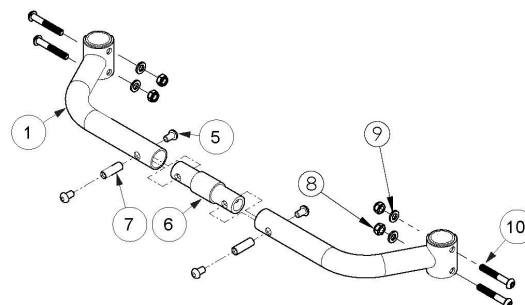


(Discontinued) Rogue with XP Option Adjustable Height Rigidizer Bar - Growth



Height Adjustable Backrest w/Adjustable Rigidizer Bar



Fixed Height Backrest w/Adjustable Rigidizer Bar

This Rogue with XP Option Backrest is discontinued as of July 25th, 2016. Parts on this page are only for the Discontinued Rogue with XP Option frame/backrest. If you have a Rogue XP, use the Rogue XP Backrest pages for your replacement parts.

Item Number	Part Number	Description	Quantity
1a, 5, 6a, 7	109158	Adjustable Height Rigidizer Bar 12", 0" Connector and Hardware	1
1a, 5, 6b, 7	109159	Adjustable Height Rigidizer Bar 12", 1" Connector and Hardware	1
1a, 5, 6c, 7	109160	Adjustable Height Rigidizer Bar 12", 2" Connector and Hardware	1
1a, 5, 6d, 7	109161	Adjustable Height Rigidizer Bar 12", 3" Connector and Hardware	1
1b, 5, 6a, 7	109162	Adjustable Height Rigidizer Bar 13", 0" Connector and Hardware	1
1b, 5, 6b, 7	109163	Adjustable Height Rigidizer Bar 13", 1" Connector and Hardware	1
1b, 5, 6c, 7	109164	Adjustable Height Rigidizer Bar 13", 2" Connector and Hardware	1
1b, 5, 6d, 7	109165	Adjustable Height Rigidizer Bar 13", 3" Connector and Hardware	1
1c, 5, 6a, 7	109166	Adjustable Height Rigidizer Bar 14", 0" Connector and Hardware	1
1c, 5, 6b, 7	109167	Adjustable Height Rigidizer Bar 14", 1" Connector and Hardware	1
1c, 5, 6c, 7	109168	Adjustable Height Rigidizer Bar 14", 2" Connector and Hardware	1
1c, 5, 6d, 7	109169	Adjustable Height Rigidizer Bar 14", 3" Connector and Hardware	1
1d, 5, 6a, 7	109170	Adjustable Height Rigidizer Bar 15", 0" Connector and Hardware	1

Item Number	Part Number	Description	Quantity
1d, 5, 6b, 7	109171	Adjustable Height Rigidizer Bar 15", 1" Connector and Hardware	1
1d, 5, 6c, 7	109172	Adjustable Height Rigidizer Bar 15", 2" Connector and Hardware	1
1d, 5, 6d, 7	109173	Adjustable Height Rigidizer Bar 15", 3" Connector and Hardware	1
1e, 5, 6a, 7	109174	Adjustable Height Rigidizer Bar 16", 0" Connector and Hardware	1
1e, 5, 6b, 7	109175	Adjustable Height Rigidizer Bar 16", 1" Connector and Hardware	1
1e, 5, 6c, 7	109176	Adjustable Height Rigidizer Bar 16", 2" Connector and Hardware	1
1e, 5, 6d, 7	109177	Adjustable Height Rigidizer Bar 16", 3" Connector and Hardware	1
5, 6b, 7	502318	Backrest Connector Assembly 1" w/ Hardware, Rigid	1
5, 6c, 7	502319	Backrest Connector Assembly 2" w/ Hardware, Rigid	1
5, 6d, 7	502320	Backrest Connector Assembly 3" w/ Hardware, Rigid	1
2	103524	M5 x 10 BTN SHCS BLK ZN	4
3	100669	M5 x 10 BTN SHCS BLKZC w/Patch	4
4	000073	M5 x 24 Threaded Barrel	4
5	101184	M6 x 10 BTN SHCS BLKZC w/Patch	4
6a	000589	Backrest Connector 0" LW/RG	1
6b	000590	Backrest Connector 1" LW/RG	1
6c	000591	Backrest Connector 2" LW/RG	1
6d	000592	Backrest Connector 3" LW/RG	1
7	000669	M6 x 20.5 Threaded Barrel	2
8	100658	M6 Nylock Nut Blk Zn	4
9	100746	M6 Flat Washer Blk Zn	4
10	100797	M6 x 40 BHCS BLK ZC	4