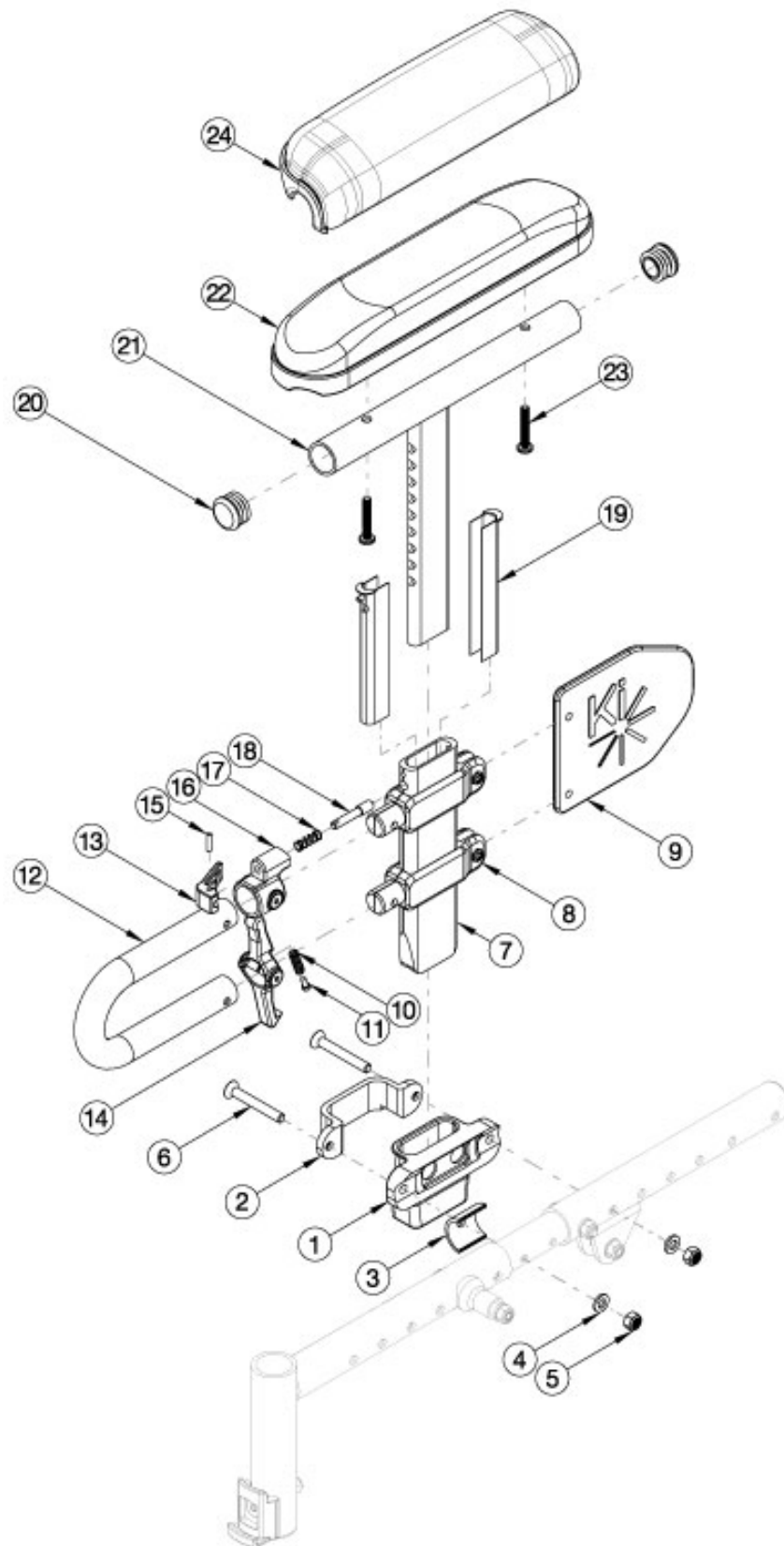


Arc Height Adjustable Low T-Arm



If retrofitting, Receivers are needed. Callout #3: Spacer is needed when the receiver sits on the seat growth tube. Callout #6: Depending upon the placement of the receiver will depend on the length of screw you'll need. More specific information is on the way! Please note there is a receiver screw and spacer kit that includes all potential screw sizes and spacer (you will need qty 2 for a pair).

Item Number	Part Number	Description	Quantity
7-21a, 22b, 23a	121241	Height Adjustable T-Arm Assembly Low, Desk w/ Std Pad	1
7-21b, 22a, 23a	503169	Height Adjustable T-Arm Assembly Low Full w/ Std Pad	1
7-21a, 23b, 24a	121243	Height Adjustable T-Arm Assembly Low, Desk w/ Waterfall Pad	1
7-21b, 23b, 24b	503185	Height Adjustable T-Arm Assembly Low Full w/ Waterfall Pad	1
1-21a, 22b, 23a	121225	Height Adj T-Arm Assm Low w/ Receiver, Standard Desk, , Arc	1
1-21b, 22a, 23a	113796	Height Adj T-Arm Assm Low w/ Receiver Standard Full Arc	1
1-21a, 23b, 24a	121226	Height Adj T-Arm Assm Low w/ Receiver, Waterfall Desk, , Arc	1
1-21b, 23b, 24b	113800	Height Adj T-Arm Assm Low w/ Receiver Waterfall Full Arc	1
1-21a, 22a, 22b, 23a	121227	Height Adj T-Arm Assm Low w/ Receiver, Standard Desk, PAIR, Arc	1
1-21b, 22a, 22b, 23a	113803	Height Adj T-Arm Assm Low w/ Receiver, Standard Full, PAIR, Arc	1
1-21b, 23b, 24a, 24b	113805	Height Adj T-Arm Assm Low w/ Receiver, Waterfall Full, PAIR, Arc	1
7-21a	114488	Height Adjustable T-Arm, Desk, Low	1
7-21b	114489	Height Adjustable T-Arm, Full, Low <i>Replaced 002683 / 002684</i>	1
1-6	113772	Height Adj T-Arm Receiver Assembly, Arc	1
3-6	113771	Height Adj T-Arm Receiver Hardware Kit, Arc	1
3, 6a, 6b, 6c	113793	Height Adj T-Arm Receiver Screw Kit, Arc <i>Includes all three receiver screw sizes and spacer. Accommodates one side.</i>	1
1	110240	Receiver, T-Am	1
2	000088	Height Adjustable T Armrest Bracket	1
3	114443	Tube Spacer, Black, 1" OD x .083" x .80 LG	1
4	100746	M6 Flat Washer Blk Zn	2
5	100658	M6 Nylock Nut Blk Zn	2
6a	101592	M6 x 45 CLS10.9 DIN7991 FHCS BLKZC	2
6b	110286	FHCS, M6 x 1.0 x 70 CLS 12.9 BLZ, P/T, DIN7991	2

Item Number	Part Number	Description	Quantity
6c	100662	M6 x 25 FSHCS BLK ZC	2
7	002105	Tube, Outer, T-Arm, Low	1
10	000135	Height Adjustable T Armrest Release Lever Spring	1
11	000152	Height Adjustable T Armrest Release Spring Button	1
12	002104	Transfer Tube, T-Arm, Low	1
14	002106	Lever, T-Arm, Low	1
15	200257	Dowel Pin 1/8 x 1/2	1
16	000096	Height Adjustable T Armrest Pin Lock Housing	1
17	000134	Height Adjustable Armrest Lever Spring	1
18	000099	Height Adjustable Armrest Lever Pin	1
19	000090	Height Adjustable T Armrest Shim	2
20	100803	Tube End Plug 7/8"	2
20, 21a	002648	Post Weldment, T-Arm, Low, Desk	1
20, 21b	002649	Post Weldment, T-Arm, Low, Full	1
22a	100500	Arm Pad Full	1
22b	100501	Arm Pad Desk	1
23a	100696	M5 x 30mm PPH Capscrew <i>Used with Standard Arm Pads</i>	2
23b	100654	M5 x 40 DIN7985 PH Pan HD M/S ZC <i>Used with Waterfall Arm Pads</i>	2
24a	102521	Waterfall Arm Pad Desk	1
24b	102452	Waterfall Arm Pad Full	1