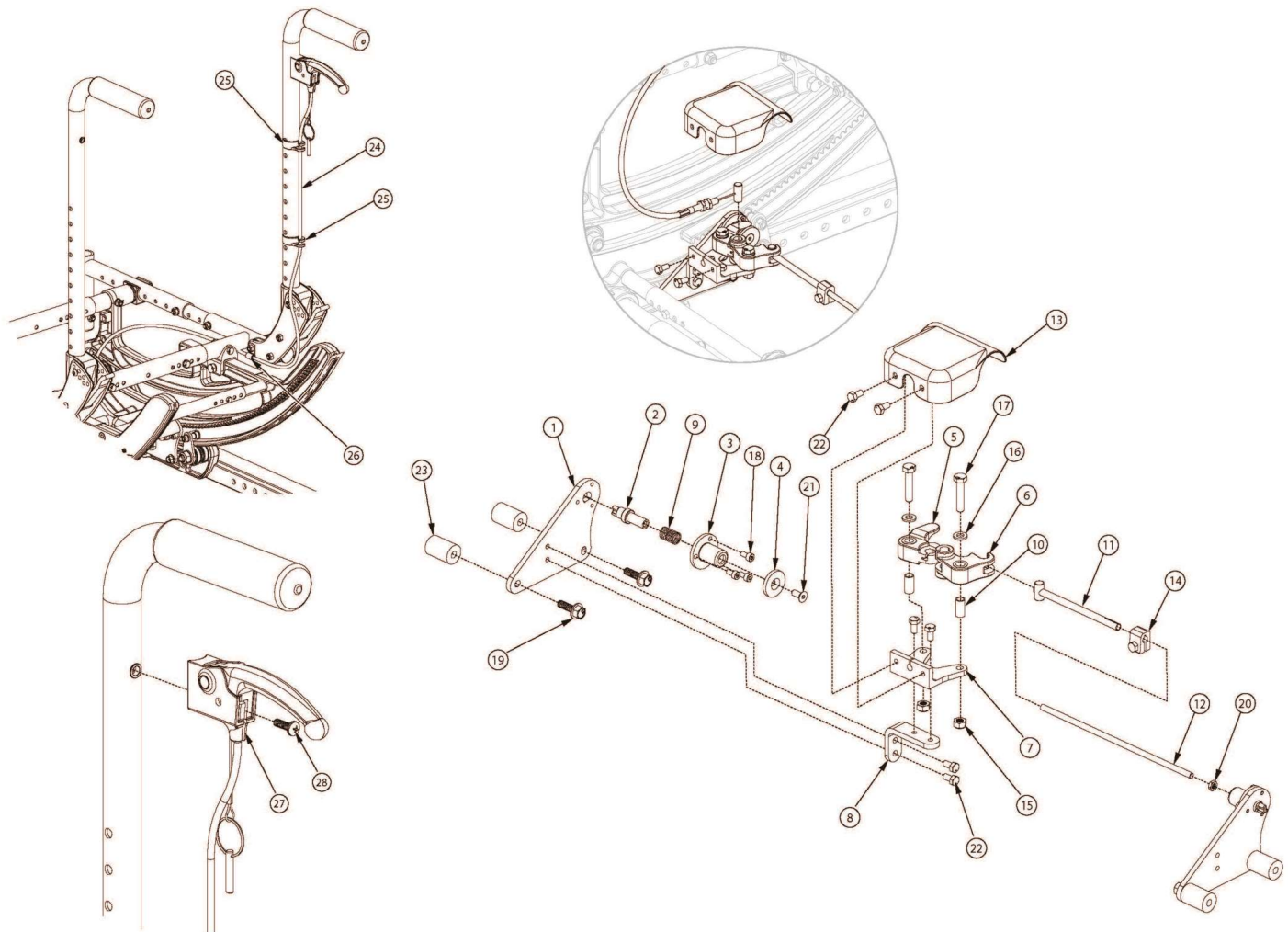


(Discontinued 4) Focus CR Hand Tilt Mechanism Stroller Handle Back



This Focus CR Hand Tilt is discontinued and was used on chairs starting with a March 5th, 2018 invoice date with serial numbers prior to FCR0026599 and FCHD002333.

| Item Number | Part Number | Description | Quantity |
|------------------------------|-------------|---|----------|
| 1-11, 12a, 13-18, 19a, 20-22 | 506246 | Single Tilt Hand/Foot Kit, Right, Small Width Range, Focus <i>For complete tilt mechanism, select appropriate Hand Tilt Cable / Trigger Kit in addition to this kit</i> | 1 |
| 1-11, 12b, 13-18, 19a, 20-22 | 506247 | Single Tilt Hand/Foot Kit, Right, Medium Width Range, Focus <i>For complete tilt mechanism, select appropriate Hand Tilt Cable / Trigger Kit in addition to this kit</i> | 1 |
| 1-11, 12c, 13-18, 19a, 20-22 | 506248 | Single Tilt Hand/Foot Kit, Right, Large Width Range, Focus <i>For complete tilt mechanism, select appropriate Hand Tilt Cable / Trigger Kit in addition to this kit</i> | 1 |

| Item Number | Part Number | Description | Quantity |
|------------------------------|-------------|---|----------|
| 1-11, 12a, 13-18, 19a, 20-22 | 506266 | Single Tilt Hand/Foot Kit, Left, Small Width Range, Focus <i>For complete tilt mechanism, select appropriate Hand Tilt Cable / Trigger Kit in addition to this kit</i> | 1 |
| 1-11, 12b, 13-18, 19a, 20-22 | 506267 | Single Tilt Hand/Foot Kit, Left, Medium Width Range, Focus <i>For complete tilt mechanism, select appropriate Hand Tilt Cable / Trigger Kit in addition to this kit</i> | 1 |
| 1-11, 12c, 13-18, 19a, 20-22 | 506268 | Single Tilt Hand/Foot Kit, Left, Large Width Range, Focus <i>For complete tilt mechanism, select appropriate Hand Tilt Cable / Trigger Kit in addition to this kit</i> | 1 |
| 1-11, 12a, 13-18, 19b, 20-23 | 506249 | Single Tilt Hand/Foot Kit, Right, Small Width Range, Heavy Duty, Focus <i>For complete tilt mechanism, select appropriate Hand Tilt Cable / Trigger Kit in addition to this kit</i> | 1 |
| 1-11, 12b, 13-18, 19b, 20-23 | 506250 | Single Tilt Hand/Foot Kit, Right, Medium Width Range, Heavy Duty, Focus <i>For complete tilt mechanism, select appropriate Hand Tilt Cable / Trigger Kit in addition to this kit</i> | 1 |
| 1-11, 12c, 13-18, 19b, 20-23 | 506251 | Single Tilt Hand/Foot Kit, Right, Large Width Range, Heavy Duty, Focus <i>For complete tilt mechanism, select appropriate Hand Tilt Cable / Trigger Kit in addition to this kit</i> | 1 |
| 1-11, 12a, 13-18, 19b, 20-23 | 506269 | Single Tilt Hand/Foot Kit, Left, Small Width Range, Heavy Duty, Focus <i>For complete tilt mechanism, select appropriate Hand Tilt Cable / Trigger Kit in addition to this kit</i> | 1 |
| 1-11, 12b, 13-18, 19b, 20-23 | 506270 | Single Tilt Hand/Foot Kit, Left, Medium Width Range, Heavy Duty, Focus <i>For complete tilt mechanism, select appropriate Hand Tilt Cable / Trigger Kit in addition to this kit</i> | 1 |
| 1-11, 12c, 13-18, 19b, 20-23 | 506271 | Single Tilt Hand/Foot Kit, Left, Large Width Range, Heavy Duty, Focus <i>For complete tilt mechanism, select appropriate Hand Tilt Cable / Trigger Kit in addition to this kit</i> | 1 |
| 24a, 25-28 | 506254 | Hand Tilt Cable/Trigger Kit with Short Cable, Stroller Handle/Recline, Focus <i>Used with Short Stroller Handle Back Post</i> | 1 |
| 24b, 25-28 | 506255 | Hand Tilt Cable/Trigger Kit with Tall Cable, Stroller Handle/Recline, Focus <i>Used with Tall Stroller Handle Back Post</i> | 1 |
| 11, 12a, 14, 20 | 506263 | Linkage Rod Assembly, Tilt, Small <i>Used with Small Width Range</i> | 1 |
| 11, 12b, 14, 20 | 506264 | Linkage Rod Assembly, Tilt, Medium <i>Used with Medium Width Range</i> | 1 |
| 11, 12c, 14, 20 | 506265 | Linkage Rod Assembly, Tilt, Large <i>Used with Large Width Range</i> | 1 |
| 27, 28 | 110139 | Lever Assembly with Lanyard Vertical Tilt | 1 |
| 1 | 004280 | Mount Plate, Tilt Lock | 2 |
| 2 | 004281 | Pin, Plunger, Tilt Lock | 2 |

| Item Number | Part Number | Description | Quantity |
|---------------------|-------------|---|----------|
| 3 | 004282 | Housing, Plunger, Tilt Lock | 2 |
| 4 | 004283 | Thrust Washer, Tilt Lock | 1 |
| 1-4, 9, 18, 19a | 506259 | Tilt Lock Mechanism Single Hand/Foot, Slave Right | 1 |
| 1-4, 9, 18, 19a | 506260 | Tilt Lock Mechanism Single Hand/Foot, Slave Left | 1 |
| 1-4, 9, 18, 19b, 23 | 506261 | Tilt Lock Mechanism Single Hand/Foot, Heavy Duty, Slave Right | 1 |
| 1-4, 9, 18, 19b, 23 | 506262 | Tilt Lock Mechanism Single Hand/Foot, Heavy Duty, Slave Left | 1 |
| 5 | 004284 | Cam Lever, Drive, Tilt Lock | 1 |
| 6 | 004285 | Cam Lever, Slave, Tilt Lock | 1 |
| 7 | 004286 | Mount, Linkage, Dual | 1 |
| 8 | 004289 | Bracket, Mount, Tilt Lock | 1 |
| 9 | 004290 | Spring, Comp, .42OD x 1.0L x .038W | 2 |
| 10 | 004291 | Bushing, Pivot, Tilt Lock | 2 |
| 11 | 004294 | Tube Assembly, Slave, Tilt Lock | 1 |
| 12a | 004295 | Rod, Slave, Small, 4.96" <i>Used with Small Width Range</i> | 1 |
| 12b | 004296 | Rod, Slave, Medium, 6.96" <i>Used with Medium Width Range</i> | 1 |
| 12c | 004297 | Rod, Slave, Large, 8.96" <i>Used with Large Width Range</i> | 1 |
| 13 | 004298 | Cover, Tilt Lock | 1 |
| 14 | 004308 | Shaft Clamp, 6mm x M5 | 1 |
| 15 | 100658 | M6 Nylock Nut Blk Zn | 2 |
| 16 | 100746 | M6 Flat Washer Blk Zn | 2 |
| 17 | 101824 | M6 X 30 Hhcs Blk Zn | 2 |
| 18 | 102800 | M4 x 8mm SHCS Blk Zn | 6 |
| 19a | 103510 | M6 x 1 x 20 HHCS SFLG CLS8.8 Blk Zn DIN6921 <i>Used with Standard Weight Capacity</i> | 4 |
| 19b | 103511 | M6 x 1 x 45 HHCS SFLG CLS8.8 Blk Zn DIN6921 <i>Used with Heavy Duty Option</i> | 4 |
| 20 | 103514 | M5 x 0.8 Jam Nut BLK ZN DIN439B | 1 |

| Item Number | Part Number | Description | Quantity |
|-------------|-------------|--|----------|
| 21 | 103522 | M5 x 0.8 x 12 FHCS CLS 10.9 Nyl Blk Zn DIN7991 | 1 |
| 22 | 200427 | M5 x 10 CLS8.8 HHCS ZC w/Patch DIN933 | 6 |
| 23 | 001405 | Spacer, .69OD x .24ID x .1.01Lg <i>Used with Heavy Duty Option</i> | 4 |
| 24a | 004300 | Cable, Tilt Short <i>Used with Short Stroller Handle Back Post</i> | 1 |
| 24b | 004301 | Cable, Tilt, Medium <i>Used with Tall Stroller Handle Back Post</i> | 1 |
| 25 | 001117 | Cable Clip 1" | 2 |
| 26 | 001239 | P-Clip 3/16" | 1 |
| 28 | 100734 | M5 x 16 PHMS ZC | 1 |