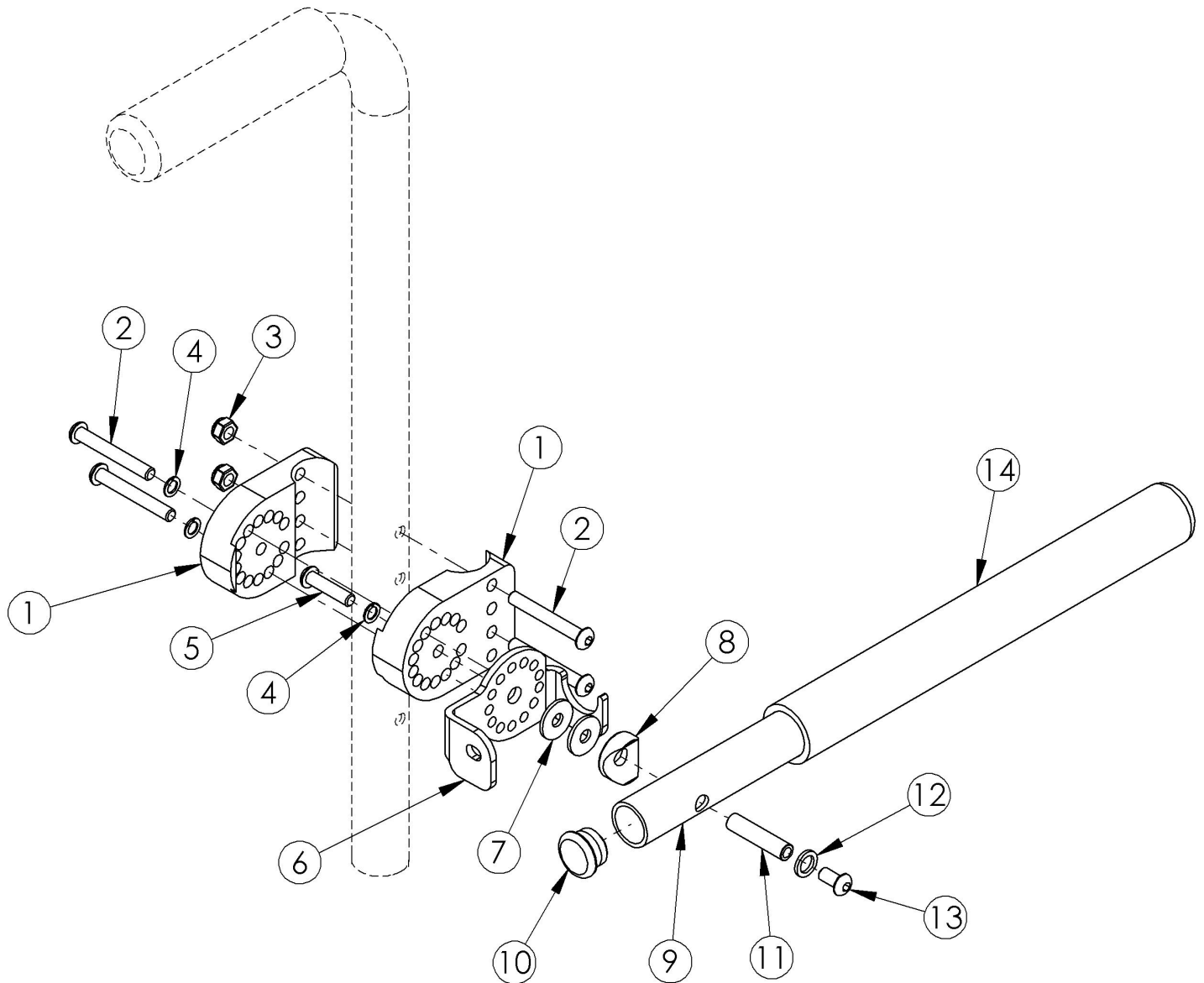


# Discontinued Angle Adjustable Non Locking Tubular Flip Up Armrest



*This Angle Adjustable Non Locking Tubular Flip Up Armrest is discontinued. Please contact Customer Service for more information.*

Item Number	Part Number	Description	Quantity
1-5, 6b, 7-14	101209	(Discontinued) Non Locking Flip Up Arm Assm Left	1
1-5, 6a, 7-14	101210	(Discontinued) Non Locking Flip Up Arm Assm Right	1
2	100670	M6 x 45 BTN SHCS BLK ZC	4
3	100658	M6 Nylock Nut Blk Zn	2

Item Number	Part Number	Description	Quantity
4	101835	M6 Lock Washer Blk Zn	3
5	101593	M6 x 25 BTN SHCS BLKZC	1
8	000697	Saddle 7/8"	1
9, 14	501022	Arm Tube Assm Non Locking Flip	1
10	100803	Tube End Plug 7/8"	2
11	000347	M6 x 1.0 Threaded Barrel	1
12	101701	Washer 3.315/.350 x .425/.525 x .059/.067 18-8 F/W	1
13	100667	M6 x 12 BTN SHCS BLKZC w/Patch	1