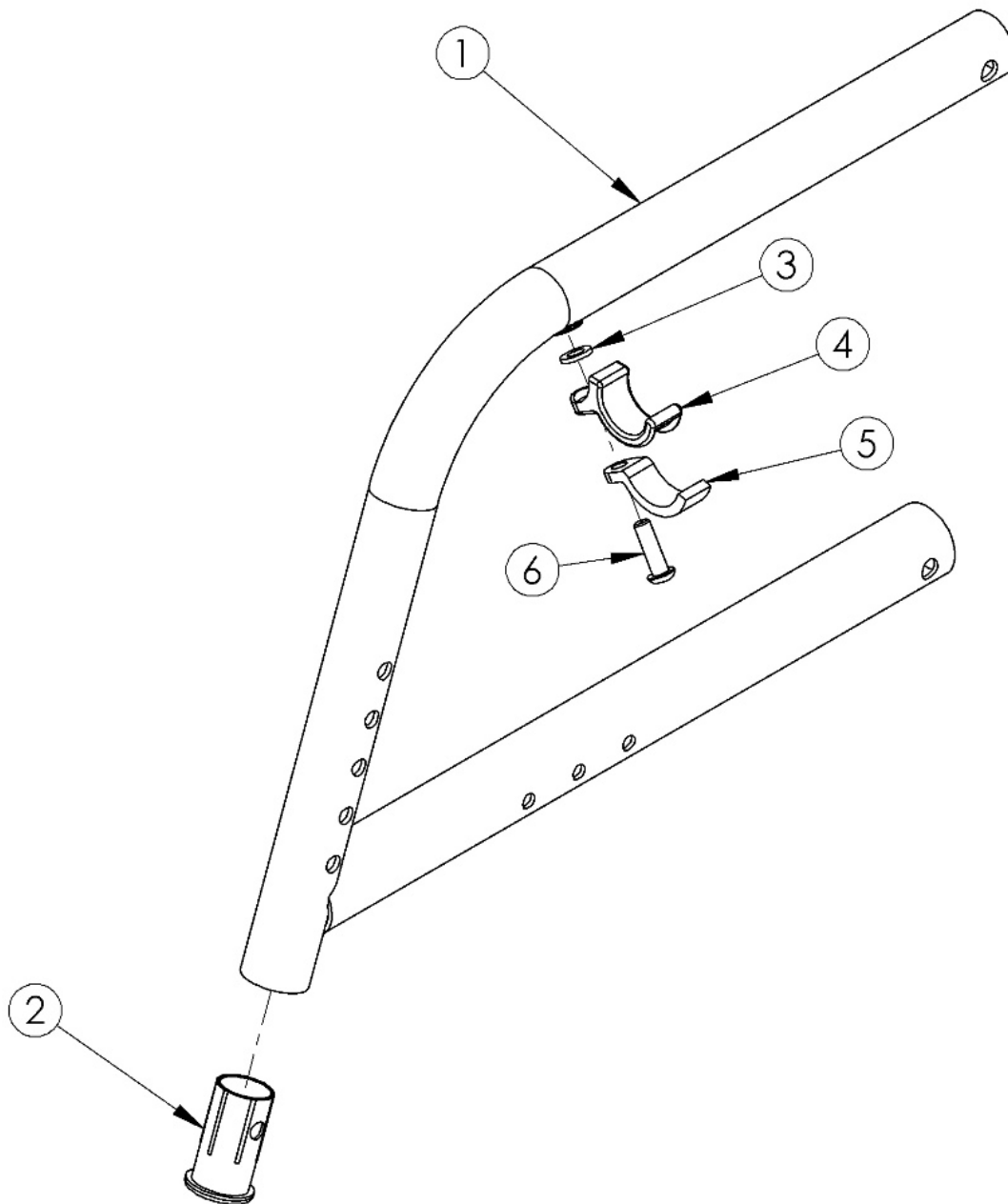


Catalyst 5Ti 70 Degree Fixed Front Frame



Frame assemblies are based on Seat Depth. If switching to a new Seat Depth, new Height Adjustable T-Arms or Height Adjustable Flip Back T-Arms may be needed. 16" and 18" seat depths use the same front frames. 17" and 19" seat depths use the same front frames. If chair has Flip Back or the discontinued Height Adjustable Flip Back armrests, select a frame assembly with the Flip Back Arm Modification. This modification does not apply to Height Adjustable Flip Back T-Arms. If retrofitting from a Swing Away Front Frame, new caster housings and attaching hardware is required.

Item Number	Part Number	Description	Quantity
3, 4, 5, 6a	501005	Seat Hook and Support Hardware Kit, Standard, Catalyst <i>Used with Standard Weight Capacity. This kit contains quantity of 1 each</i>	1
3, 4, 5, 6b	114528	Seat Hook and Support Hardware Kit, Standard, for Heavy Duty Catalyst <i>Used with Heavy Duty / 350 lbs Weight Capacity. This kit contains quantity of 1 each</i>	1
1a, 2	100290	Frame Assm Cat TI Front Fixed 70 Left 14	1
1b, 2	100291	Frame Assm Cat TI Front Fixed 70 Left 15	1
1c, 2	100292	Frame Assm Cat TI Front Fixed 70 Left 16	1
1d, 2	100293	Frame Assm Cat TI Front Fixed 70 Left 17	1
1e, 2	501643	Frame Assm Cat Ti Front Fixed 70 Left 18	1
1f, 2	501644	Frame Assm Cat Ti Front Fixed 70 Left 19	1
1g, 2	100294	Frame Assm Cat TI Front Fixed 70 Left 20	1
1h, 2	100285	Frame Assm Cat TI Front Fixed 70 Right 14	1
1i, 2	100286	Frame Assm Cat TI Front Fixed 70 Right 15	1
1j, 2	100287	Frame Assm Cat TI Front Fixed 70 Right 16	1
1k, 2	100288	Frame Assm Cat TI Front Fixed 70 Right 17	1
1l, 2	501645	Frame Assm Cat Ti Front Fixed 70 Right 18	1
1m, 2	501646	Frame Assm Cat Ti Front Fixed 70 Right 19	1
1n, 2	100289	Frame Assm Cat TI Front Fixed 70 Right 20	1
1c, 2	114376	Frame Assm Cat TI Front with Flip Back Arm Modification Fixed 70 Left 16	1
1d, 2	114377	Frame Assm Cat TI Front with Flip Back Arm Modification Fixed 70 Left 17	1
1e, 2	114393	Frame Assm Cat Ti Front with Flip Back Arm Modification Fixed 70 Left 18	1
1f, 2	114394	Frame Assm Cat Ti Front with Flip Back Arm Modification Fixed 70 Left 19	1
1g, 2	114378	Frame Assm Cat TI Front with Flip Back Arm Modification Fixed 70 Left 20	1
1j, 2	114371	Frame Assm Cat TI Front with Flip Back Arm Modification Fixed 70 Right 16	1
1k, 2	114372	Frame Assm Cat TI Front with Flip Back Arm Modification Fixed 70 Right 17	1
1l, 2	114395	Frame Assm Cat Ti Front with Flip Back Arm Modification Fixed 70 Right 18	1
1m, 2	114396	Frame Assm Cat Ti Front with Flip Back Arm Modification Fixed 70 Right 19	1

Item Number	Part Number	Description	Quantity
1n, 2	114373	Frame Assm Cat TI Front with Flip Back Arm Modification Fixed 70 Right 20	1
2	000034	Sleeve 3/4" x 1 1/2"	1
3	100831	1/2" Washer OD .040" Thick	1
4	000003	Seat Hook, Catalyst	1
5	000004	Seat Hook Support, Catalyst	1
6a	100668	M6 x 20 CLS10.9 BTN SHCS ZC w/Patch <i>Used with Standard Weight Capacity</i>	1
6b	122970	M6 x 1.0 x 20, CLS 10.9, BLZ, SHCS w/Patch <i>Used with Heavy Duty / 350 lbs Weight Capacity</i>	1