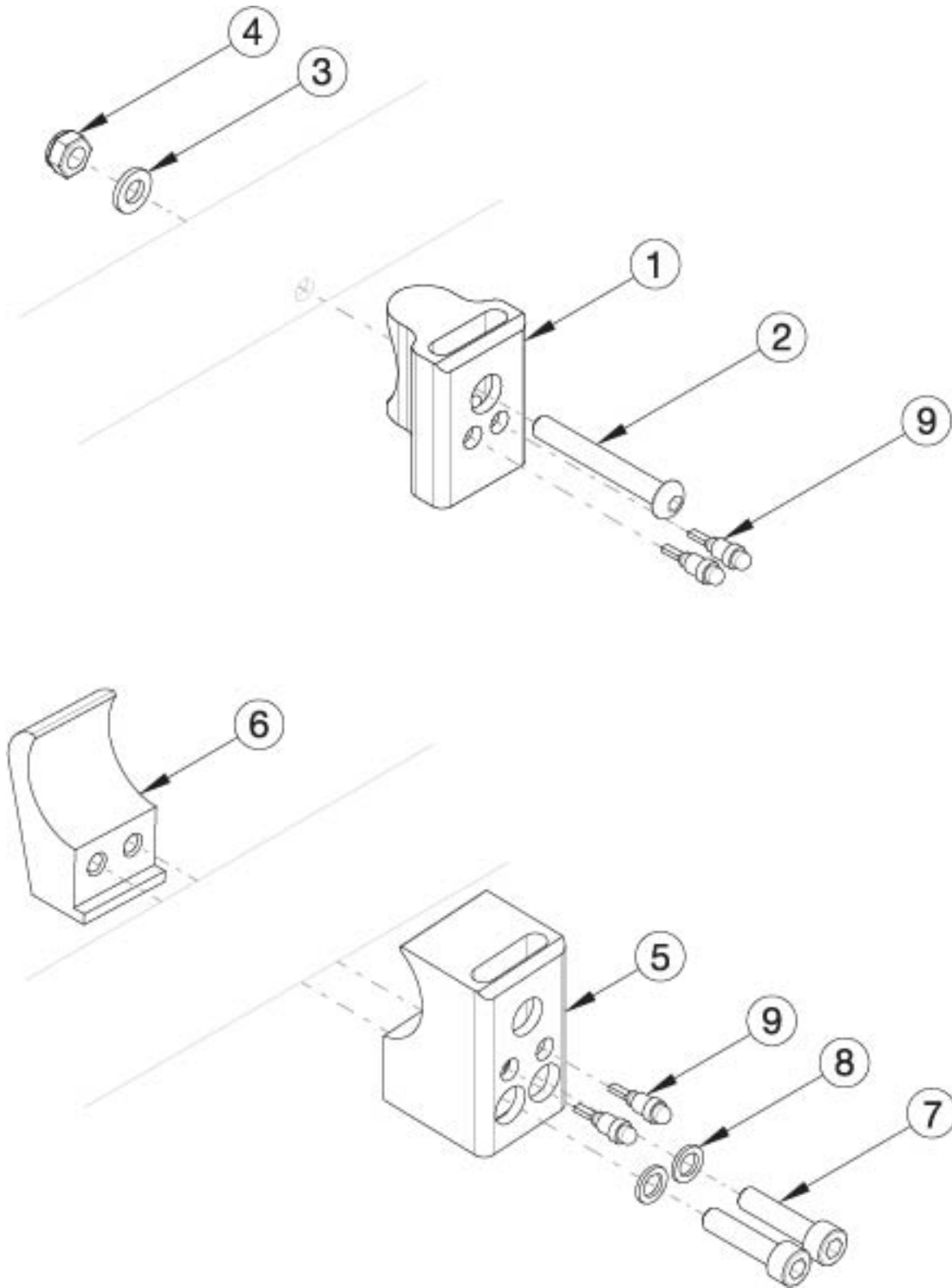


Rogue2 Side Guard Receiver



If retrofitting side guards, clamp on receiver is required

Item Number	Part Number	Description	Quantity
1-4, 9	503141	Wide Side Guard Direct Mount Receiver Assembly Black Anodized Rigid	1
5 - 9	501330	Wide Side Guard Clamp Mount Receiver Assembly Black Anodized Rigid	1
1, 9	112060	Wide Side Guard Direct Mount Receiver 1-3/8" w/ Chamfer Black Anodized Rigid	1
2	101125	M6 x 55 BTN SHCS BLKZC	1
3	100746	M6 Flat Washer Blk Zn	1
4	100658	M6 Nylock Nut Blk Zn	1
5, 9	112061	Wide Side Guard Clamp Mount Receiver 1-3/8" w/ Chamfer Black Anodized Rigid	1
6	000554	Side Guard Clamp Mount Rigid	1
7	101810	M6 x 35 SHCS BLK ZC	2
8	102326	Flat Washer ID .254" x OD .396" Thickness .047" Zinc	2