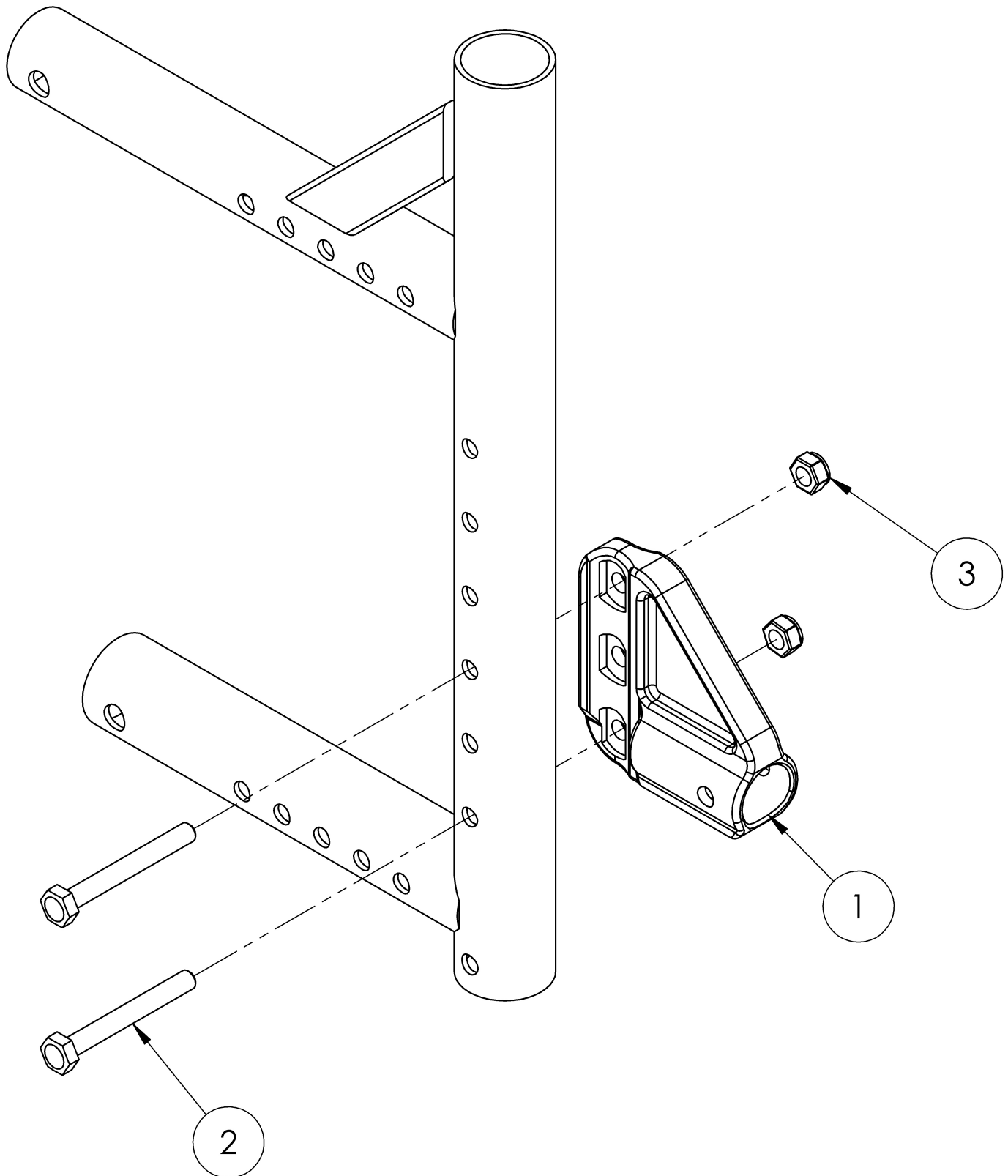


Catalyst 5VX Anti-Tip Receiver



Please see the Catalyst 5VX Swing-In Anti-Tip page for Swing-In Anti-Tip replacements

Item Number	Part Number	Description	Quantity
1b	004539	Anti Tip Receiver, Catalyst <i>Used if chair has an invoice date after November 13, 2018. Replaced 000046</i>	1
2a	101826	M6 x 50 HHCS Blk Zn <i>Use quantity 2 per side if only Anti-Tips are present. Use quantity 1 per side if Transit and Anti-Tips are present</i>	2
2b	100676	M6 x 55 CLS10.9 DIN931 HHCS ZC <i>Use quantity 2 per side if Transit and Anti-Tip are present. Use quantity 1 per side if Swing Away Arm bracket, Transit, and Anti-Tip are present</i>	2
2c	100677	M6 x 60 CLS10.9 DIN931 HHCS ZC <i>Use quantity 2 per side if Transit, Anti-Tip and Swing Away Arm bracket are present</i>	2
3	100658	M6 Nylock Nut Blk Zn	2