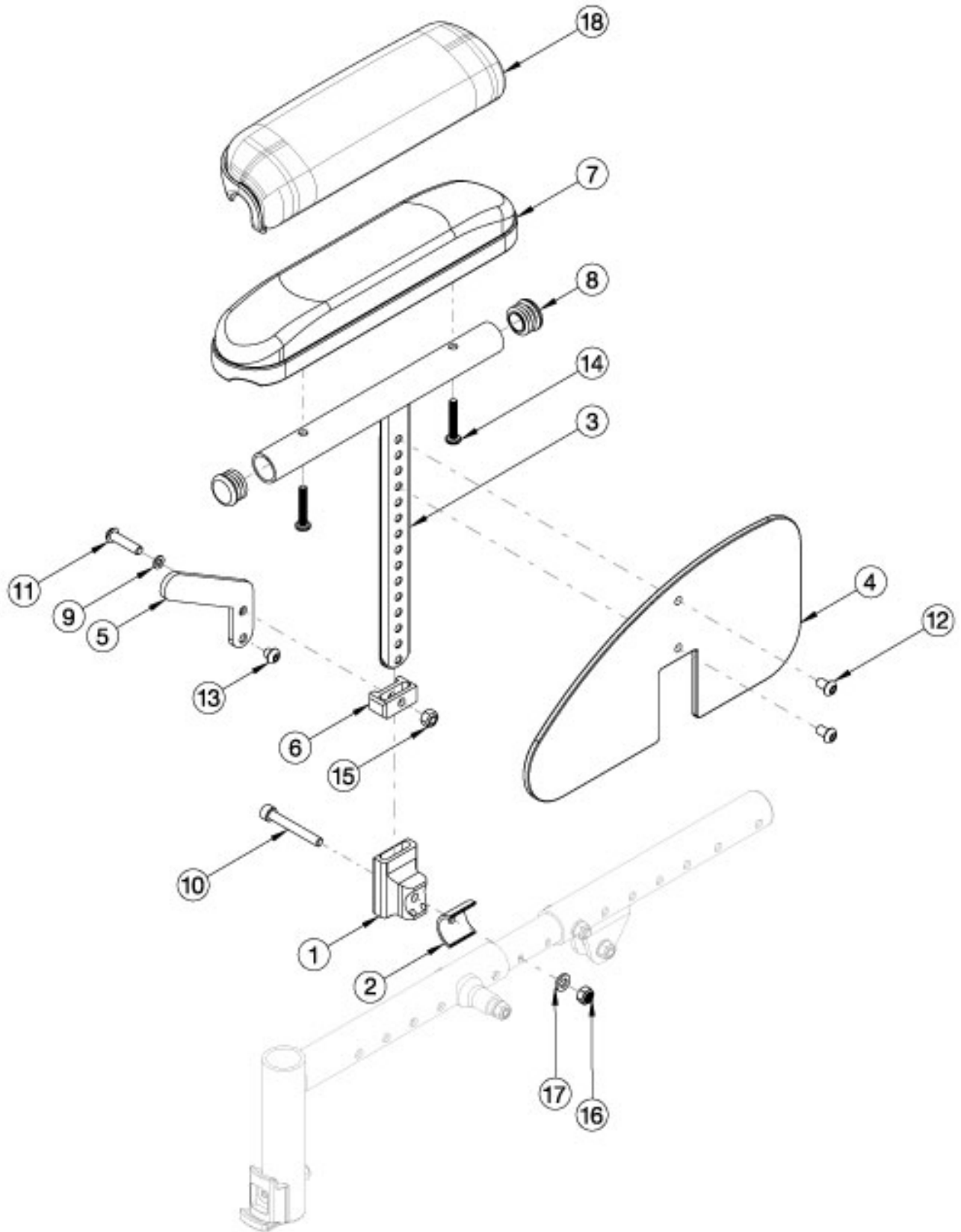


# Arc Pediatric Height Adjustable T-Arm



If retrofitting, Receivers are needed. Callout #2: Spacer is needed when the receiver sits on the seat growth tube. Callout #10: Depending upon the placement of the receiver will depend on the length of screw you'll need. More specific information is on the way! Please note there is a receiver screw and spacer kit that includes all potential screw sizes and spacer (you will need qty 2 for a pair).

Item Number	Part Number	Description	Quantity
3a, 4, 5a, 6-9, 11-13, 14a, 15	113889	Height Adj Pediatric T-Arm Assembly, Short, Desk, Left, Arc	1
3a, 4, 5b, 6-9, 11-13, 14a, 15	113890	Height Adj Pediatric T-Arm Assembly, Short, Desk, Right, Arc	1
3a, 4-9, 11-13, 14a, 15	113891	Height Adj Pediatric T-Arm Assembly, Short, Desk, PAIR, Arc	1
3b, 4, 5a, 6-9, 11-13, 14a, 15	113892	Height Adj Pediatric T-Arm Assembly, Tall, Desk, Left, Arc	1
3b, 4, 5b, 6-9, 11-13, 14a, 15	113893	Height Adj Pediatric T-Arm Assembly, Tall, Desk, Right, Arc	1
3b, 4-9, 11-13, 14a, 15	113894	Height Adj Pediatric T-Arm Assembly, Tall, Desk, PAIR, Arc	1
3a, 4, 5a, 6, 8, 9, 11-13, 14b, 15, 18	113895	Height Adj Pediatric T-Arm Assembly, Short, Desk, Waterfall, Left, Arc	1
3a, 4, 5b, 6, 8, 9, 11-13, 14b, 15, 18	113896	Height Adj Pediatric T-Arm Assembly, Short, Desk, Waterfall, Right, Arc	1
3a, 4-6, 8, 9, 11-13, 14b, 15, 18	113897	Height Adj Pediatric T-Arm Assembly, Short, Desk, Waterfall, PAIR, Arc	1
3b, 4, 5a, 6, 8, 9, 11-13, 14b, 15, 18	113898	Height Adj Pediatric T-Arm Assembly, Tall, Desk, Waterfall, Left, Arc	1
3b, 4, 5b, 6, 8, 9, 11-13, 14b, 15, 18	113899	Height Adj Pediatric T-Arm Assembly, Tall, Desk, Waterfall, Right, Arc	1
3b, 4-6, 8, 9, 11-13, 14b, 15, 18	113900	Height Adj Pediatric T-Arm Assembly, Tall, Desk, Waterfall, PAIR, Arc	1
1, 2, 3a, 4, 5a, 6-13, 14a, 15-17	113901	Height Adj Pediatric T-Arm Assembly with Receiver, Short, Desk, Left, Arc	1
1, 2, 3a, 4, 5b, 6-13, 14a, 15-17	113902	Height Adj Pediatric T-Arm Assembly with Receiver, Short, Desk, Right, Arc	1
1, 2, 3a, 4-13, 14a, 15-17	113903	Height Adj Pediatric T-Arm Assembly with Receiver, Short, Desk, PAIR, Arc	1
1, 2, 3b, 4, 5a, 6-13, 14a, 15-17	113904	Height Adj Pediatric T-Arm Assembly with Receiver, Tall, Desk, Left, Arc	1
1, 2, 3b, 4, 5b, 6-13, 14a, 15-17	113905	Height Adj Pediatric T-Arm Assembly with Receiver, Tall, Desk, Right, Arc	1
1, 2, 3b, 4-13, 14a, 15-17	113906	Height Adj Pediatric T-Arm Assembly with Receiver, Tall, Desk, PAIR, Arc	1
1, 2, 3a, 4, 5a, 6, 8-13, 14b, 15-18	113907	Height Adj Pediatric T-Arm Assembly with Receiver, Short, Desk, Waterfall, Left, Arc	1

Item Number	Part Number	Description	Quantity
1, 2, 3a, 4, 5b, 6, 8-13, 14b, 15-18	113908	Height Adj Pediatric T-Arm Assembly with Receiver, Short, Desk, Waterfall, Right, Arc	1
1, 2, 3a, 4-6, 8-13, 14b, 15-18	113909	Height Adj Pediatric T-Arm Assembly with Receiver, Short, Desk, Waterfall, PAIR, Arc	1
1, 2, 3b, 4, 5a, 6, 8-13, 14b, 15-18	113910	Height Adj Pediatric T-Arm Assembly with Receiver, Tall, Desk, Waterfall, Left, Arc	1
1, 2, 3b, 4, 5b, 6, 8-13, 14b, 15-18	113911	Height Adj Pediatric T-Arm Assembly with Receiver, Tall, Desk, Waterfall, Right, Arc	1
1, 2, 3b, 4-6, 8-13, 14b, 15-18	113912	Height Adj Pediatric T-Arm Assembly with Receiver, Tall, Desk, Waterfall, PAIR, Arc	1
1, 2, 10a, 10b, 16, 17	113913	Height Adj Pediatric T-Arm Receiver Assembly, Arc	1
2, 10a, 10b	113914	Height Adj Pediatric T-Arm Receiver Screw and Spacer Kit, Arc	1
1	110241	Receiver, Side Guard	1
2	114443	Tube Spacer, Black, 1" OD x .083" x .80 LG	1
3a, 8	002045	Post Weldment, T-Arm, Ped, Short	1
3b, 8	002046	Post Weldment, T-Arm, Ped, Tall	1
4	003100	Pediatric T-Arm Panel w/Ki Logo	1
5a	501396	Pediatric T Arm Lever Left	1
5b	501397	Pediatric T Arm Lever Right	1
6	501395	Pediatric T Arm Bracket	1
7	100501	Arm Pad Desk	1
8	100803	Tube End Plug 7/8"	2
9	101088	Wave Spring - 1/4 id x 3/8 od	1
10a	101472	M6 x 45 SHCS BLK ZC	1
10b	102476	M6 X 70 CLS12.9 SHCS BLK ZC	1
11	101593	M6 x 25 BTN SHCS BLKZC	1
12	101184	M6 x 10 BTN SHCS BLKZC w/Patch	2
13	101702	M6 x 6 BTN SHCS ZC	1
14a	100696	M5 x 30mm PPH Capscrew <i>Used with Standard Arm Pad</i>	2
14b	100654	M5 x 40 DIN7985 PH Pan HD M/S ZC <i>Used with Waterfall Arm Pad</i>	2

<b>Item Number</b>	<b>Part Number</b>	<b>Description</b>	<b>Quantity</b>
15	101456	M6 Ovl Top L/N ZC	1
16	100658	M6 Nylock Nut Blk Zn	1
17	100746	M6 Flat Washer Blk Zn	1
18	102521	Waterfall Arm Pad Desk	1