



KidWalk / KidWalk II

Dynamic Mobility System

Patent Protected 6,832,770 B1



**Order Form
Price List
Effective 9-1-18**

Client: _____ Age: _____
 Height: _____ Weight: _____ Dx: _____
 Address: _____
 City, St, Zip: _____
 Phone: _____
 Facility: _____
 Therapist: _____ Phone: _____

PO: _____ Date: _____
 Dealer: _____
 Contact: _____
 Address: _____
 City, St, Zip: _____
 Phone: _____ Fax: _____
 E-mail: _____

KidWalk / KidWalk II Dynamic Mobility System

Standard Features Include: Auto centering pelvic guides; Lateral weight shift; Vertical weight relief with adjustable load compensating spring assembly; Angle adjustable mast; Anti-tippers; Wheel locks; Quick release wheels; Padded seat; Adjustable axle position; Light up rear casters; Two piece frame for easy transport.

KidWalk
\$3,195.00
Dynamic Mobility System
 Seat height 12" - 22"
 Client Weight up to 65 pounds

Specifications:
 Base: 24" wide by 27" long
 Overall length: 33" - 35"
 Mast Height: 33.5"
 Upholstery: Black nylon
 Wheels: 20" Mag
 Casters: 4" Lighted



KidWalk II
\$3,795.00
Dynamic Mobility System
 Seat height 15" - 28"
 Client Weight up to 90 pounds

Specifications:
 Base: 27.5" wide by 32" long
 Overall length: 36" - 38"
 Mast Height: 37.25"
 Upholstery: Black nylon
 Wheels: 24" Mag
 Casters: 5" Lighted

Frame Color:
 Candy Blue Candy Red Candy Purple Neon Pink Neon Orange Shocker Green Razzberry White Black

KidWalk Hip Support Configuration Selection: *
 Standard Configuration: Width 5" - 9" Depth 4" x 7.5"
 Optional Configurations: Width 7" - 12" Depth 5" - 7"
 Flip Up Pad Brackets: Straight (std) 10 Degree Angle
 *If no selections are marked the standard configuration will be supplied.

KidWalk II Hip Support Configuration Selection: *
 Standard Configuration: Width 7"-12" Depth 5" x 7"
 Optional Width Configurations: 5.5" - 9" 8.5" - 15"
 Optional Depth Configurations: 3.5" - 6" (with non-extended hip pads)
 Flip Up Pad Brackets: Straight (std) 10 Degree Angle

Upper Body Support Options:
 Lateral Chest System: Includes lateral side supports, swingaway anterior support pads and lumbar support pad\$ 495.00

KidWalk	KidWalk II
<input type="checkbox"/> Std 6.5" - 10.5" W x 4" - 6.5" D	<input type="checkbox"/> Std 8.5" - 15.5" W x 5.5" - 8.5" D
<input type="checkbox"/> Optional Width Adj. 8" - 14.5"	<input type="checkbox"/> Optional Width Adj. 6.5" - 10.5"
<input type="checkbox"/> Optional Depth Adj. 5.5" - 8.5"	<input type="checkbox"/> Optional Depth Adj. 4" - 6.5"

Flip Up Chest Pad Brackets: 10 Degree Angle (std) Straight

Upper Body Soft Support Wrap: For the client that needs minimal upper body support\$ 239.00

Headrest Options:
 Headpad: 3" x 4" flat headpad\$ 225.00
 Contoured Small Headrest: 4"H x 6"W\$ 329.00
 Contoured Medium Headrest: 5"H x 8"W\$ 395.00
 1/2 Square Tube Mount: (Headrest not included)\$ 149.00
 1/2 Flip Down Headrest Mount:\$ 339.00
 i2i Flip Down Headrest Mount:\$ 339.00

Lower Extremity Positioning Options:
 Extended Hip Pads: (Standard on 5" - 7" depth)\$ 95.00
 Dynamic Leg Wraps: Assist in supplying feedback to the client while encouraging movement in the lower extremities\$ 149.00

Seat Options:
 Wide Seat: 3" x 9": Large padded seat\$ 195.00
 Extended Seats: Longer sides assist in controlling adduction and scissoring: Specify length of sides below\$ 299.00
 Short 4" length
 Medium 6" length
 Long 8" length
 Leg Straps: Restricts movement of the lower extremities (Requires 6" or 8" extended seat).....\$ 195.00
 Additional Standard Seat: (Ordered with unit).....\$ 100.00

Frame Options:
 Cruiser Wheels: Allows use as an omni directional walker for clients up to 40" tall (Not available on KidWalkII)\$ 349.00
 Non-Lighted Caster Wheels:\$ no charge
 Sliding Ankle Prompts: Straps hold ankles to help keep the client's feet from crossing\$ 289.00
 Directional locks: Locks out caster swivel.....\$ 265.00

Wheel Options:
 Anti-Rollback Device:.....\$ 299.00
 20" Spoke Wheels (KidWalk only):.....\$ 425.00
 24" Spoke Wheels (KidWalk II only):.....\$ 425.00
 Spoke Protectors 20":.....\$ 219.00
 Spoke Protectors 24":.....\$ 219.00

Client: _____



KidWalk / KidWalk II





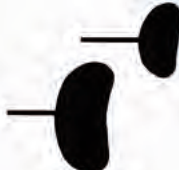





Dynamic Mobility System







Order Form Price List

Patent Protected 6,832,770 B1

Effective 9-1-18

 Swing-Open Lateral Supports	 Upper Body Soft Support Wrap	 Head Pad	 1/2" Square Tube Mount	 Contoured Headrests	 Dynamic Leg Wraps
 Extended Hip Pad	 Cruiser Wheels	 Extended Seats		 Load Compensating Adjustment Spring	

 Standard KidWalk	 KidWalk with Upper Body Supports	 KidWalk Loading Configuration	 KidWalk Cruiser Configuration
---	--	--	---

Client Measurements:

A: Chest Width ____" B: Chest Depth ____" C: Hip Width ____" D: Hip Depth ____" E: Inseam ____"
 F: Top of Inseam to Axilla ____" G: Client Height ____" H: Client Weight ____lbs

Note: All Measurements Assume Symmetrical Standing Posture.

Custom Requests:

Please complete the information in the client measurement area above and list any special needs in the following area to speed up the design process and / or response time.

PRIME ENGINEERING

A Division of Axiom Industries Inc.

4202 W. SIERRA MADRE AVE., FRESNO, CA 93722 1-800-827-8263 Fax: 800-800-3355

E-mail: info@primeengineering.com Web Site: www.primeengineering.com