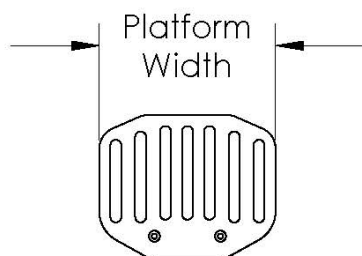
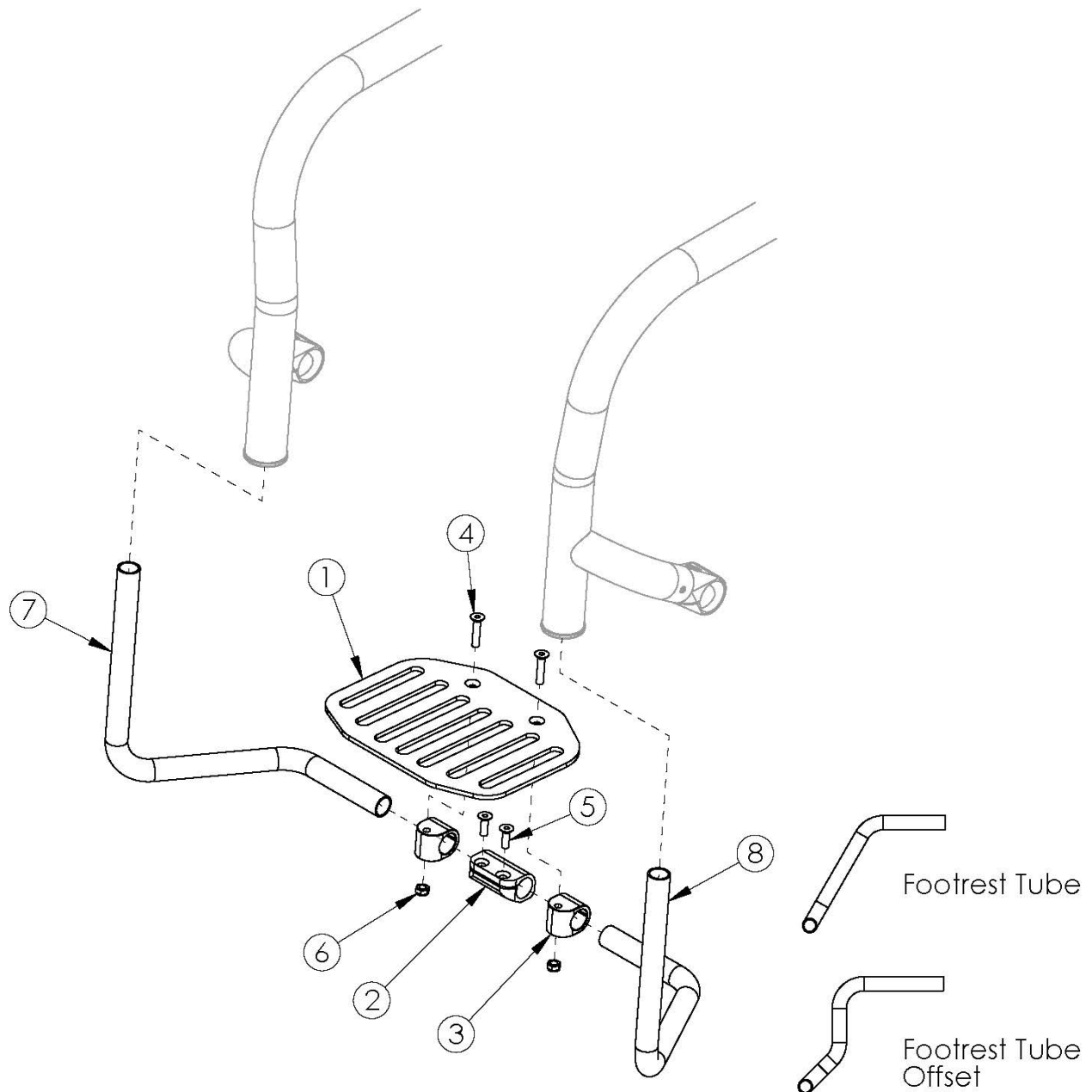


Rogue2 Footrest - Angle Adjustable Flip Under



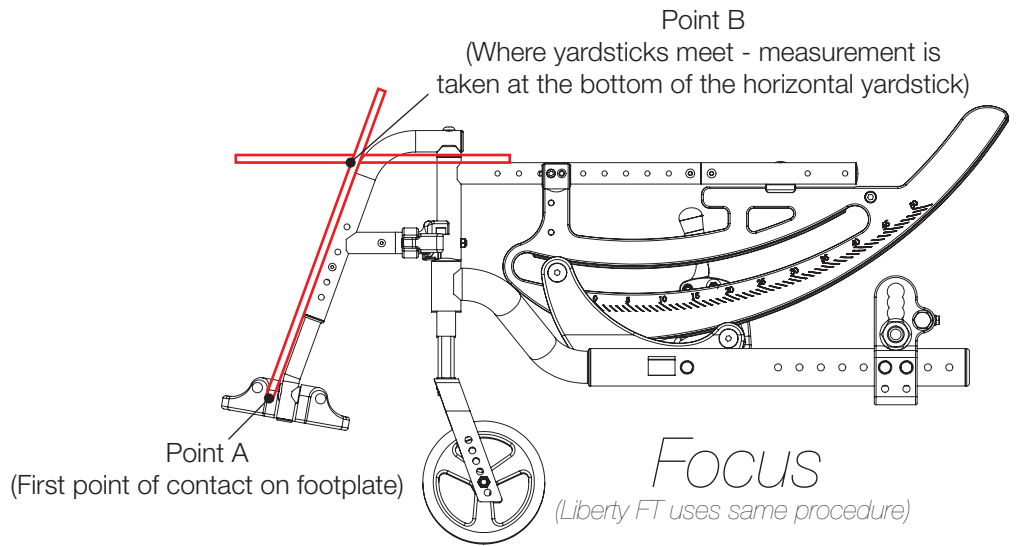
| Part No. | Platform Width | For Seat Widths | | |
|----------|----------------|-----------------|----------|----------|
| | | Straight | 1" Taper | 2' Taper |
| 000955 | 7.0" | 11"-12" | 13"-14" | 15"-16" |
| 000956 | 8.0" | 13"-14" | 15"-16" | 17"-18" |
| 001324 | 9.0" | 15"-16" | 17"-18" | 19"-20" |
| 000957 | 10.0" | 17"-22" | 19"-22" | 21"-22" |

Sizes based on straight frame. If changing from a high mount footrest to a frame inserted footrest, please see the "Rogue2 Rigid Frame" page for necessary hardware. If changing width of chair, new footrest tubes are required.

| Item Number | Part Number | Description | Quantity |
|-------------------|-------------|---|----------|
| 1a, 2 - 6, 7b, 8b | 500860 | Angle Adjustable Flip Under Footrest Assembly 12 Rigid | 1 |
| 1b, 2 - 6, 7b, 8b | 500761 | Angle Adjustable Flip Under Footrest Assembly 13 Rigid | 1 |
| 1b, 2 - 6, 7a, 8a | 500762 | Angle Adjustable Flip Under Footrest Assembly 14 Rigid | 1 |
| 1b, 2 - 6, 7b, 8b | 500861 | Angle Adjustable Flip Under Footrest Assembly 14 Offset Rigid | 1 |
| 1c, 2 - 6, 7a, 8a | 500862 | Angle Adjustable Flip Under Footrest Assembly 15-16 Rigid | 1 |
| 1c, 2 - 6, 7b, 8b | 500863 | Angle Adjustable Flip Under Footrest Assembly 15-16 Offset Rigid | 1 |
| 1d, 2 - 6, 7a, 8a | 500763 | Angle Adjustable Flip Under Footrest Assembly 17-22 Rigid | 1 |
| 1d, 2 - 6, 7b, 8b | 500864 | Angle Adjustable Flip Under Footrest Assembly 17-22 Offset Rigid | 1 |
| 1a | 000955 | Angle Adjustable Flip Under Footrest Platform 7" Rigid | 1 |
| 1b | 000956 | Angle Adjustable Flip Under Footrest Platform 8" Rigid | 1 |
| 1c | 001324 | Angle Adjustable Flip Under Footrest Platform 9" Rigid | 1 |
| 1d | 000957 | Angle Adjustable Flip Under Footrest Platform 10" Rigid | 1 |
| 2 | 000953 | Footrest Flip Stop Clamp Rigid | 1 |
| 3 | 000954 | Footrest Flip Pivot Rigid | 2 |
| 4 | 101733 | M6 x 35 CLS10.9 DIN7991 FSHCS BLKZC | 2 |
| 5 | 100866 | M6 x 20 CLS12.9 DIN7991 FSHCS Blk Zc w/Patch | 2 |
| 6 | 100658 | M6 Nylock Nut Blk Zn | 2 |
| 7a | 000952R | Angle Adjustable Flip Under Footrest Tube Right <i>Not available with 6" Casters</i> | 1 |
| 7b | 001309 | Angle Adjustable Flip Under Footrest Tube Offset Right | 1 |
| 8a | 000952L | Angle Adjustable Flip Under Footrest Tube Left <i>Not available with 6" Casters</i> | 1 |
| 8b | 001308 | Angle Adjustable Flip Under Footrest Tube Offset Left | 1 |

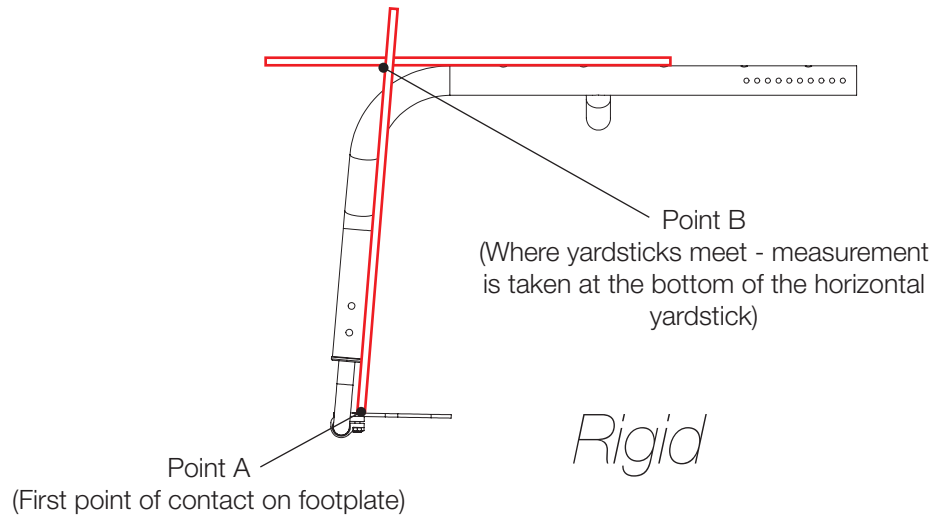
Distance between Point A and Point B = Footplate Length

NOTE: The yardstick on the top plane of the seat frame must lie flat against frame. The yardstick going from the footplate to the second yardstick must be square against the hanger tube.



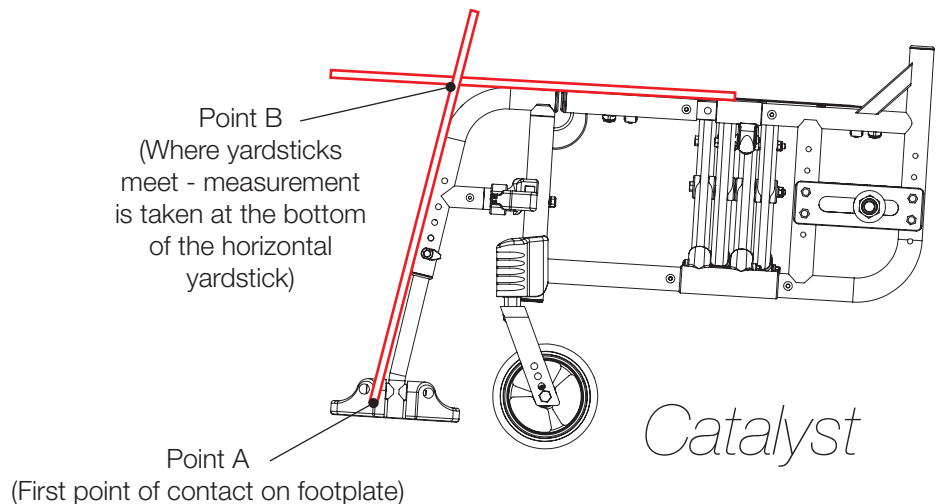
Distance between Point A and Point B = Footplate Length

NOTE: The yardstick on the top plane of the seat frame must lie flat against frame. The yardstick going from the footplate to the second yardstick must be square against the front tube.



Distance between Point A and Point B = Footplate Length

NOTE: The yardstick on the top plane of the hanger must lie flat against hanger. The yardstick going from the footplate to the second yardstick must be square against the hanger tube.



Chair Configurations that Require Offset Assemblies with Angle Adjustable Flip Under Footrest

Tsunami / Rogue ALX

Performance or 1" sling position along with 85° or 90° front frame bend

OR

6" casters

Rogue / Rogue2 / Rogue XP

No footrest taper along with:

12" - 13" seat widths

OR

14" - 22" seat widths and 85° or 90° front frame bend

OR

14" - 22" seat widths and 6" casters

1" footrest taper along with:

14" - 15" seat widths

OR

16" - 22" seat widths and 85° or 90° front frame bend

OR

16" - 22" seat widths and 6" casters

2" footrest taper along with:

16" - 17" seat widths

OR

18" - 22" seat widths and 85° or 90° front frame bend

OR

18" - 22" seat widths and 6" casters