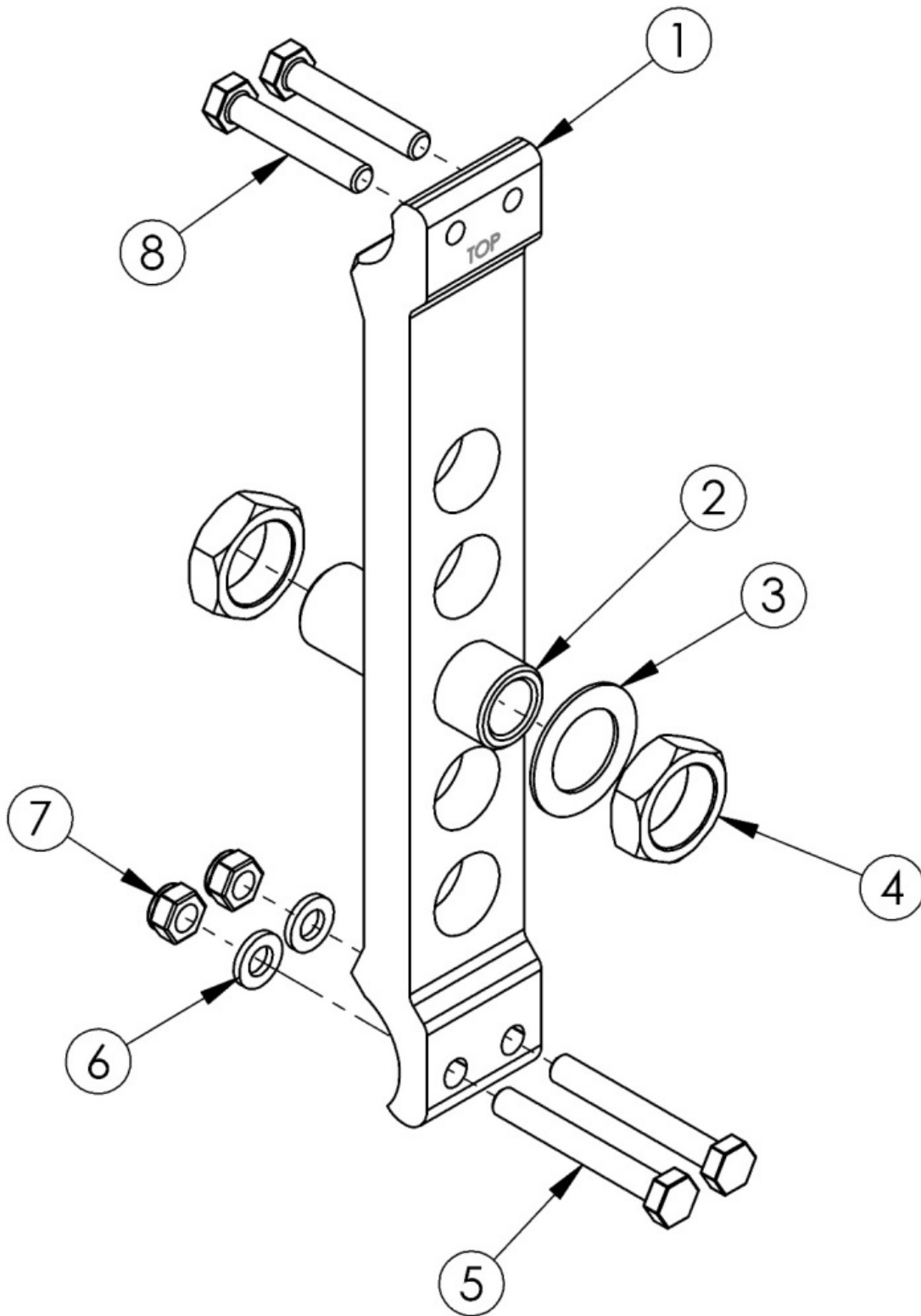


# **(Discontinued) Catalyst 5Vx Vertical Axle Plate**



*This design discontinued January 22nd, 2018 for most Catalyst 5VX chairs. All Catalyst 5VX chairs discontinued this design February 20th, 2019.*

<b>Item Number</b>	<b>Part Number</b>	<b>Description</b>	<b>Quantity</b>
2	100756	Axle Receiver 1/2" Diameter	1
3	100583	Axle Plate Washer 18mm	1
4	100514	Axle Receiver Nut M18 x D12 x 8mm	2
5	100674	M6 x 45 CLS10.9 DIN931 HHCS ZC	2
6	100746	M6 Flat Washer Blk Zn	2
7	100658	M6 Nylock Nut Blk Zn	2
8	100860	M6 x 35 HHCS P/THD ZC	2