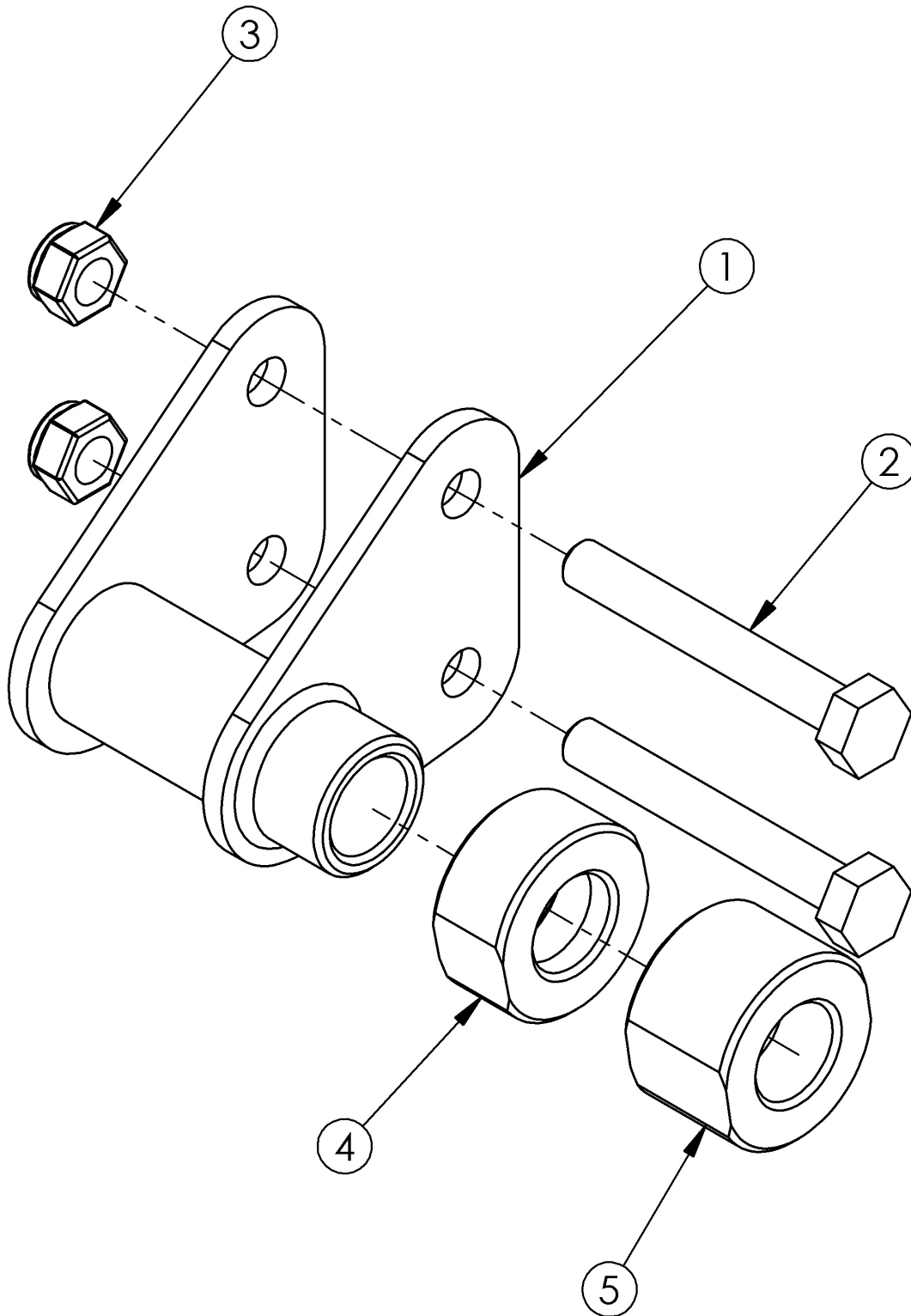


Catalyst 4 Axle Bracket



See Catalyst Anti-Tip Receivers page when reverse mounting Axle Bracket for all hardware used. See Axles and Receivers reference for axle bracket usage

Item Number	Part Number	Description	Quantity
1a	000052R	Axle Bracket Offset Right	1
1b	000052L	Axle Bracket Offset Left	1
1c	000281R	Extended Axle Bracket Offset Right	1
1d	000281L	Extended Axle Bracket Offset Left	1
1e	114491	CAT 4 Axle Bracket, Right <i>Used when MAXX Mag wheels or Anti-Rollback System are present</i>	1
1f	114492	CAT 4 Axle Bracket, Left <i>Used when MAXX Mag wheels or Anti-Rollback System are present</i>	1
2a	100674	M6 x 45 CLS10.9 DIN931 HHCS ZC <i>Used for Axle Plate only</i>	2
2b	101826	M6 x 50 HHCS Blk Zn <i>Used for Anti-Tip or Swing Away Arm Bracket</i>	2
2c	100676	M6 x 55 CLS10.9 DIN931 HHCS ZC <i>Used for Anti-Tip and Swing Away Arm Bracket</i>	2
3	100658	M6 Nylock Nut Blk Zn	2
4	101891	Axle Spacer .15" CAT4 <i>Used as needed to increase rear wheel spacing</i>	1
5	101892	Axle Spacer .35" CAT4 <i>Used as needed to increase rear wheel spacing</i>	1

Catalyst Axles and Receivers

To find the appropriate axle, first establish the axle receiver according to the RECEIVERS section and then determine the axle using the AXLES section. On Catalyst 4 chairs, new axles and receivers may be required for proper fit.

RECEIVERS

Catalyst 4

Receiver/Axle Bracket: 000052L and 000052R

Description: Axle Bracket Offset

Used On: Catalyst 4, 4C, 4TTL with no armrests, with X Core mag and Topolino wheels or with Superlight, Spinergy and 6-spoke mag wheels when standard flip back or swing away armrests are used.

Receiver/Axle Bracket: 000281L and 000281R

Description: Extended Axle Bracket Offset

Used On: Catalyst 4, 4C, 4TTL with Superlight, Spinergy and 6-spoke mag wheels when height adjustable armrests are used or with Ki Spoke and MAXX Performance Spoke Wheels when any armrest is used.

Receiver/Axle Bracket: 114491 and 114492

Description: CAT 4 Axle Bracket MAXX Mag

Used With: MAXX Mag wheels.

Catalyst 5 / Spark

Receiver: 100756

Description: Axle Receiver ½"

Used On: Catalyst 5, 5TTL, 5Ti, 5Vx, E, Spark when MAXX Mag wheels are not present.

Receiver: 114480

Description: CAT Axle Receiver 2.5"

Used On: Catalyst 5, 5TTL, 5Ti, 5Vx, E, Spark when MAXX Mag wheels are present.

AXLES

000052L/R, 100756, and 114480 Receivers

Assembled 6-Spoke Mag – 100901 (Used with Quad Quick Release as well)

X Core Mag, MAXX Mag – 101191

All other wheels – 101108

Quad Quick Release (All wheels except 6-Spoke Mag) – 100755

000281L/R Receivers (not available with X Core Mag wheels)

6-Spoke Mag – 102432 (used with Quad Quick Release as well)

All other wheels – 101182

Quad Quick Release (All wheels except 6-Spoke Mag) – 100901

114491/114492 Receivers

MAXX Mag wheels - 101191