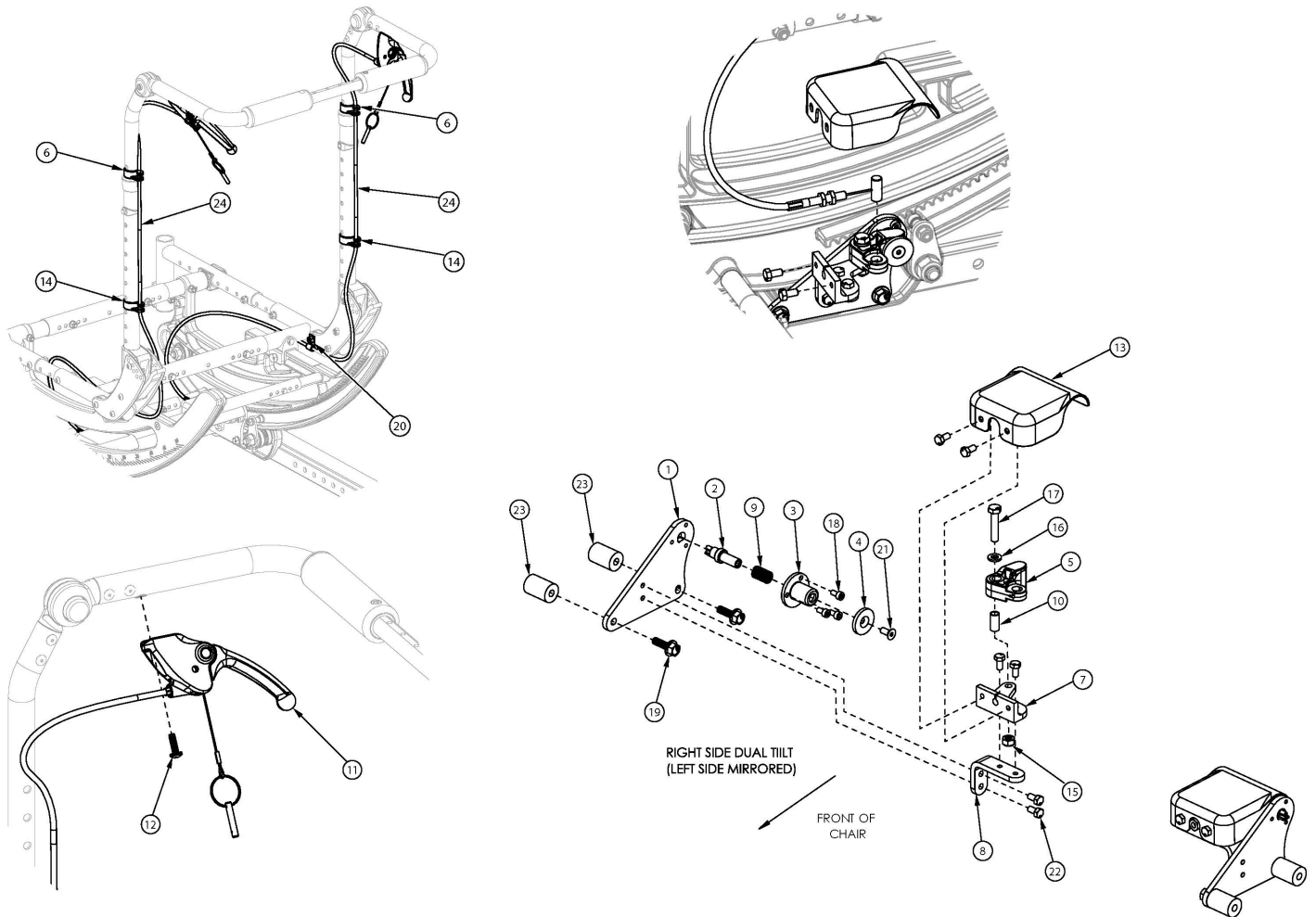


Focus CR Dual Hand Tilt Mechanism Adjustable Height with Adjustable Handle Back



This design effective starting with serial numbers FCR0026599 and FCHD002333. If serial number is prior to FCR0026599 and FCHD002333 new upper back cane assemblies are required in addition to the hand tilt mechanism. If drum brake present, see drum brake page for replacement parts.

Item Number	Part Number	Description	Quantity
1-5, 7a, 7b, 8-10, 13, 15-18, 19a, 21, 22	506274	Dual Tilt Lock Mechanism Kit, Focus <i>For complete dual hand tilt mechanism, select appropriate Hand Tilt Cable/Trigger Kit in addition to this kit</i>	1
1-5, 7a, 7b, 8-10, 13, 15-18, 19b, 21-23	506275	Dual Tilt Lock Mechanism Kit, Heavy Duty, Focus <i>For complete dual hand tilt mechanism, select appropriate Hand Tilt Cable/Trigger Kit in addition to this kit</i>	1
6, 11, 12, 14, 20, 24a	506788	Hand Tilt Cable/Trigger Kit with Long Cable, Height Adjustable w/Adjustable Handle, Focus <i>Used with Short Adjustable Height with Adjustable Handle Back Post with Back Heights 18" - 21"</i>	2

Item Number	Part Number	Description	Quantity
6, 11, 12, 14, 20, 24b	506789	Hand Tilt Cable/Trigger Kit with XL Cable, Height Adjustable w/Adjustable Handle, Focus <i>Used with Short Adjustable Height with Adjustable Handle Back Post with Back Heights 22" - 25" or Tall Adjustable Height with Adjustable Handle Back Post with Back Heights of 20" - 25"</i>	2
6, 11, 12, 14, 20, 24c	506790	Hand Tilt Cable/Trigger Kit with XXL Cable, Height Adjustable w/Adjustable Handle, Focus <i>Used with Tall Adjustable Height with Adjustable Handle Back Post with Back Heights 26" - 27"</i>	2
1	004280	Mount Plate, Tilt Lock	2
2	004281	Pin, Plunger, Tilt Lock	2
3	004282	Housing, Plunger, Tilt Lock	2
4	004283	Thrust Washer, Tilt Lock	2
5	004284	Cam Lever, Drive, Tilt Lock	2
1-5, 7a, 8-10, 13, 15-18, 19a, 21, 22	506276	Tilt Lock Mechanism Dual Hand, Right	1
1-5, 7b, 8-10, 13, 15-18, 19a, 21, 22	506277	Tilt Lock Mechanism Dual Hand, Left	1
1-5, 7a, 8-10, 13, 15-18, 19b, 21-23	506278	Tilt Lock Mechanism Dual Hand, Heavy Duty Right	1
1-5, 7b, 8-10, 13, 15-18, 19b, 21-23	506279	Tilt Lock Mechanism Dual Hand, Heavy Duty Left	1
6	001118	Cable Clip 7/8"	2
7a	004287	Linkage Mount, Right	1
7b	004288	Linkage Mount, Left	1
8	004289	Bracket, Mount, Tilt Lock	2
9	004290	Spring, Comp, .42OD x 1.0L x .038W	2
10	004291	Bushing, Pivot, Tilt Lock	2
11	003492	Lever Assembly, Straight	1
12	100734	M5 x 16 PHMS ZC	2
13	004298	Cover, Tilt Lock	2
14	001117	Cable Clip 1"	2
15	100658	M6 Nylock Nut Blk Zn	2
16	100746	M6 Flat Washer Blk Zn	2

Item Number	Part Number	Description	Quantity
17	101824	M6 X 30 Hhcs Blk Zn	2
18	102800	M4 x 8mm SHCS Blk Zn	6
19a	103510	M6 x 1 x 20 HHCS SFLG CLS8.8 Blk Zn DIN6921 <i>Used with Standard Weight Capacity</i>	4
19b	103511	M6 x 1 x 45 HHCS SFLG CLS8.8 Blk Zn DIN6921 <i>Used with Heavy Duty Option</i>	4
20	001239	P-Clip 3/16"	2
21	103522	M5 x 0.8 x 12 FHCS CLS 10.9 Nyl Blk Zn DIN7991	2
22	200427	M5 x 10 CLS8.8 HHCS ZC w/Patch DIN933	12
23	001405	Spacer, .69OD x .24ID x .1.01Lg <i>Used with Heavy Duty Option</i>	4
24a	004302	Cable, Tilt, Long <i>Used with Short Adjustable Height with Adjustable Handle Back Post with Back Heights 18" - 21"</i>	2
24b	004303	Cable, Tilt, XL <i>Used with Short Adjustable Height with Adjustable Handle Back Post with Back Heights 22" - 25" or Tall Adjustable Height with Adjustable Handle Back Post with Back Heights of 20" - 25"</i>	2
24c	004304	Cable, Tilt, XXL <i>Used with Tall Adjustable Height with Adjustable Handle Back Post with Back Heights 26" - 27"</i>	2