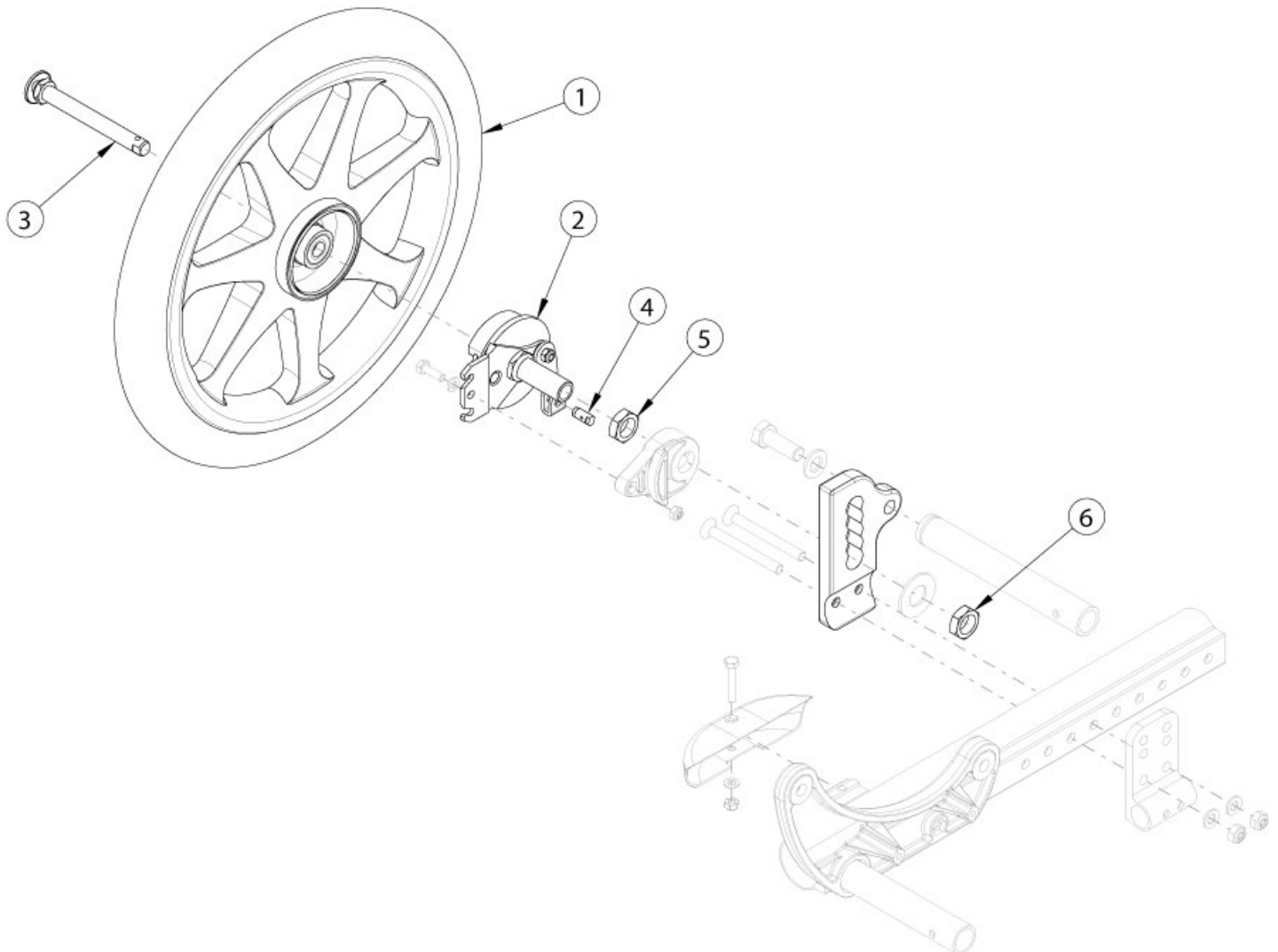


16" Mag Wheel (Focus Drum Brake)



If changing wheel size and anti-tips are present, new anti-tips may be required. If changing wheel size or style, new axles may be needed.

Item Number	Part Number	Description	Quantity
1a, 2-6	002678	Drum Brake Kit, 16" Mag, Pneumatic Tire PAIR	1
1b, 2-6	002680	Drum Brake Kit, 16" Mag, Full Poly Tire PAIR	1
1c, 2-6	002679	Drum Brake Kit, 16" Mag, Pneumatic Tire w/ Airless Insert PAIR	1