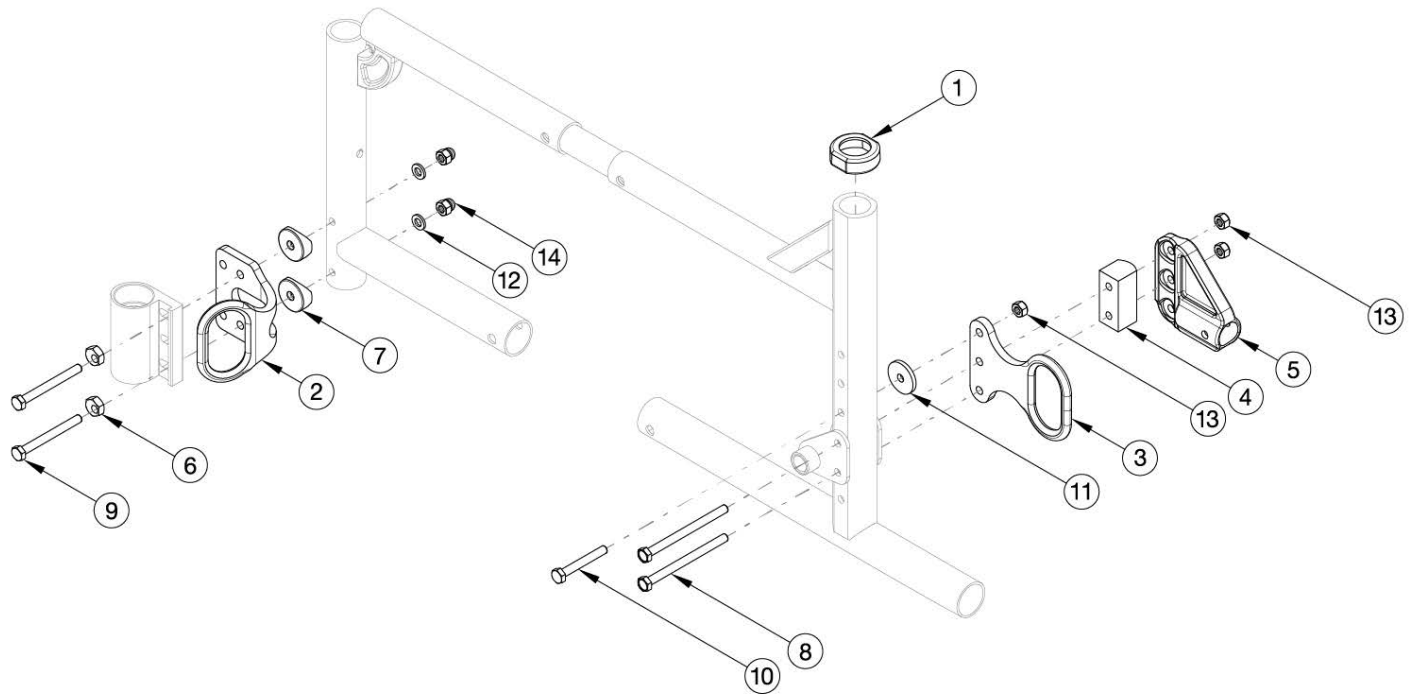


Catalyst 4 Transit (Availability based on region)



Availability based on region. Not available in North America Not available with 350 lb weight capacity

Item Number	Part Number	Description	Quantity
1, 2, 3, 6, 7, 8, 9, 10, 11, 12, 13, 14	122220	Transit Retrofit Kit, Catalyst 4	1
4	002329	Amputee Anti-Tip Spacer CAT	2
5	004539	Anti Tip Receiver, Catalyst	2
6	100510	Eccentric Washer	4
7	000056	Saddle 1 1/8"	4
8	103027	M6 x 80 HHCS, Partial Thread, Blk Zn	4
9	100677	M6 x 60 CLS10.9 DIN931 HHCS ZC	4
10	100674	M6 x 45 CLS10.9 DIN931 HHCS ZC	2
11	119593	Washer, 1.00 OD x .25 ID x .120	2
12	100746	M6 Flat Washer Blk Zn	4
13	100658	M6 Nylock Nut Blk Zn	6
14	100558	M6 Nyl Ins Domed Cap L/N Zc	4