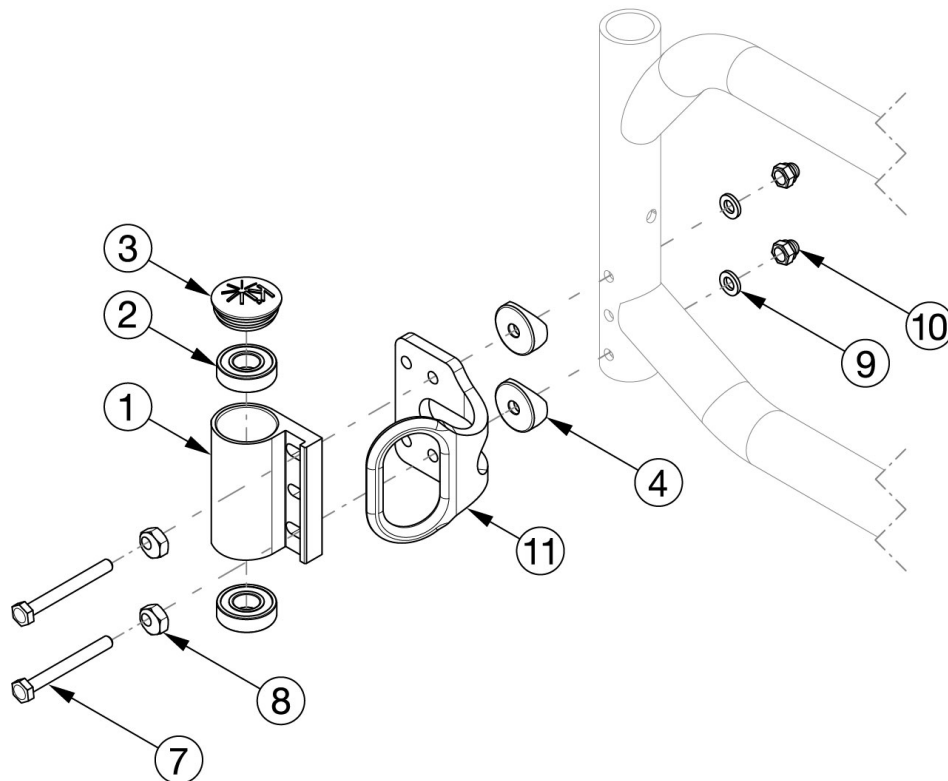
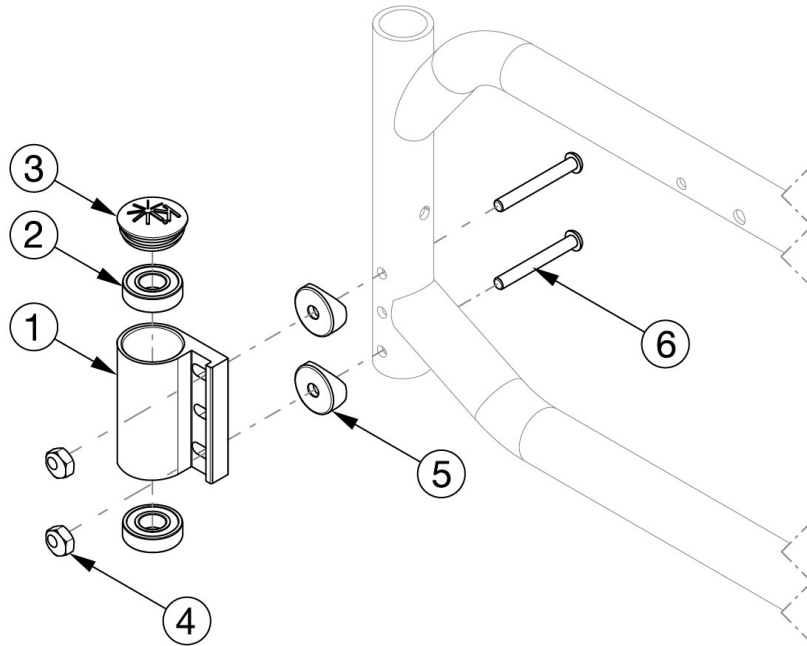


# Catalyst E Caster Housing - Standard



Reference order form for detailed front seat height matrix.

Item Number	Part Number	Description	Quantity	Retail
1a, 2-6	501172	Standard Caster Housing Assembly, Black, Left, No Transit, Standard Weight Capacity, Catalyst	1	\$46.38
1b, 2-6	501173	Standard Caster Housing Assembly, Black, Right, No Transit, Standard Weight Capacity, Catalyst	1	\$46.38
1a, 1b, 2-6	501174	Standard Caster Housing Assembly, Black, PAIR, No Transit, Standard Weight Capacity, Catalyst	1	\$92.78
1a, 2, 3, 5, 7-10	501175	Standard Caster Housing Assembly, Black, Left, Transit, Standard Weight Capacity, Catalyst <i>Transit Bracket not included in assembly</i>	1	\$50.87
1b, 2, 3, 5, 7-10	501176	Standard Caster Housing Assembly, Black, Right, Transit, Standard Weight Capacity, Catalyst <i>Transit Bracket not included in assembly</i>	1	\$50.87
1a, 1b, 2, 3, 5, 7-10	501177	Standard Caster Housing Assembly, Black, PAIR, Transit, Standard Weight Capacity, Catalyst <i>Transit Bracket not included in assembly</i>	1	\$101.75
1a, 2	100526	Caster Housing Left, Black, CAT/LFT	1	\$37.66
1b, 2	100527	Caster Housing Right, Black, CAT/LFT	1	\$37.66
3	102005	Ki Caster Housing Cap	1	\$1.17
4, 6	112171	Standard Caster Housing Attaching Hardware for Swing Away Frame, No Transit, Standard Weight Capacity, PAIR	1	\$12.93
5	000056	Saddle 1 1/8"	2	\$1.58
7-10	112956	Standard Caster Housing Attaching Hardware for Swing Away Frame, Transit, Standard Weight Capacity, PAIR	1	\$23.00
7	100677	M6 x 60 CLS10.9 DIN931 HHCS ZC	2	\$1.58
8	100510	Eccentric Washer	2	\$1.65
9	100746	M6 Flat Washer Blk Zn	2	\$1.58
10	100558	M6 NYL INS Domed Cap L/N ZC	2	\$1.05