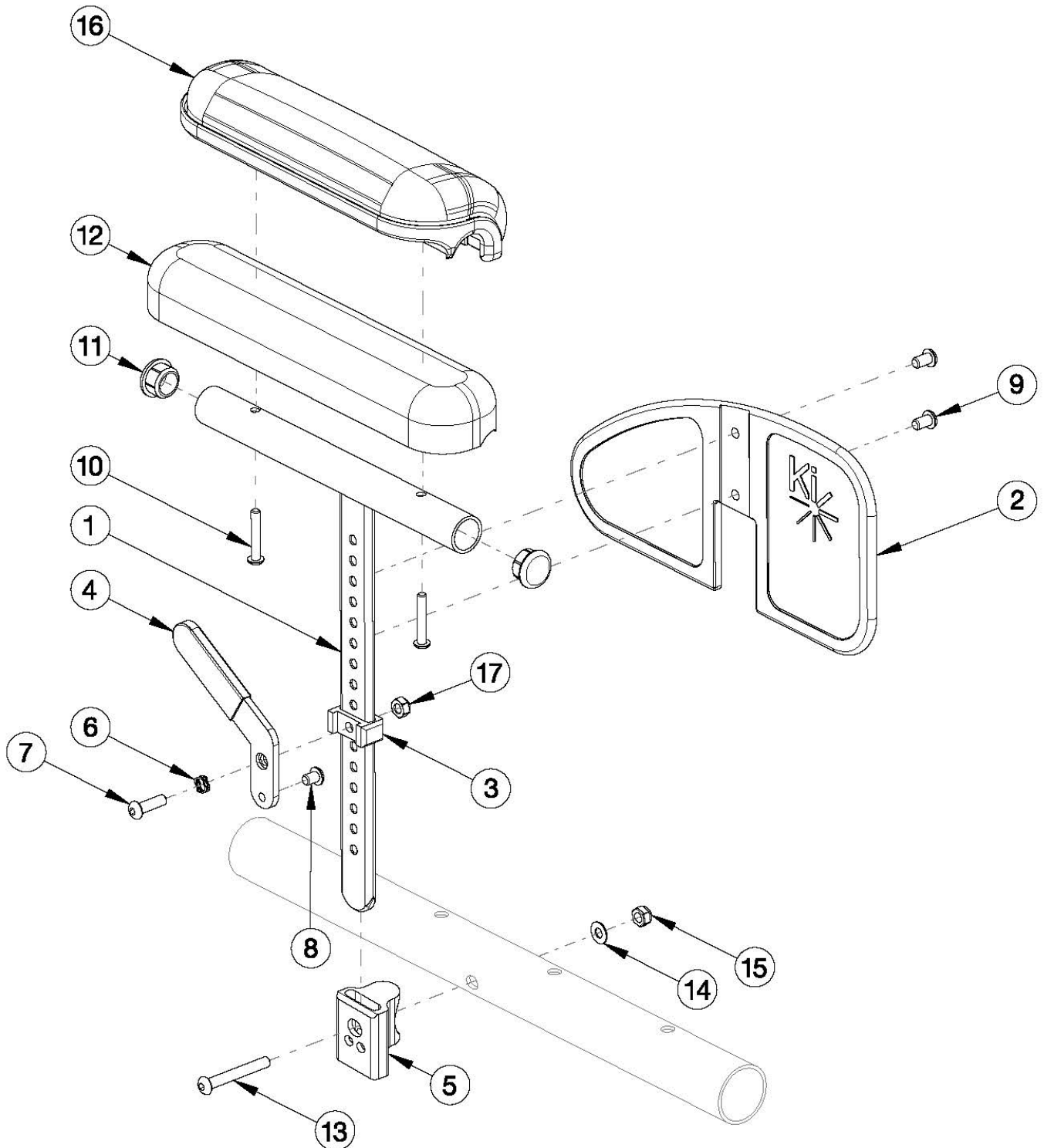


Little Wave Pediatric Height Adjustable T-Arm



Item Number	Part Number	Description	Quantity	Retail
1-3, 4a, 6-9, 10a, 11, 12, 17	500605	Armrest Pediatric T-Arm Assembly Left, Std Desk Arm Pad	1	\$170.65
1-3, 4b, 6-9, 10a, 11, 12, 17	500606	Armrest Pediatric T-Arm Assembly Right, Std Desk Arm Pad	1	\$170.65
1-3, 4a, 4b, 6-9, 10a, 11, 12, 17	500992	Armrest Pediatric T-Arm Assembly, Std Desk Arm Pad, Pair	1	\$341.30
1-3, 4a, 6-9, 10b, 11, 16, 17	112607	Armrest Pediatric T-Arm Assembly Left, Waterfall Desk Arm Pad	1	\$183.40
1-3, 4b, 6-9, 10b, 11, 16, 17	112608	Armrest Pediatric T-Arm Assembly Right, Waterfall Desk Arm Pad	1	\$183.40
1-3, 4a, 4b, 6-9, 10b, 11, 16, 17	112609	Armrest Pediatric T-Arm Assembly, Waterfall Desk Arm Pad, Pair	1	\$366.79
1, 11	501392	Pediatric T Arm Post	1	\$83.65
2	503881	Pediatric T Arm Panel w/Ki Logo	1	\$33.47
3	501395	Pediatric T Arm Bracket	1	\$33.47
4a	501396	Pediatric T Arm Lever Left	1	\$23.43
4b	501397	Pediatric T Arm Lever Right	1	\$23.43
5	004442	Wide Side Guard Receiver 1-3/8" w/ Chamfer Black Anodized Rigid <i>Replaced part number 001415. This receiver design effective October 23rd, 2020</i>	1	\$44.13
5, 13 - 15	503141	Wide Side Guard Receiver Assembly Black Anodized Rigid	1	\$51.49
6	101088	Wave Spring - 1/4 id x 3/8 od	1	\$3.97
7	101593	M6 x 25 BTN SHCS BLKZC	1	\$1.58
8	101702	M6 x 6 BTN SHCS ZC	1	\$1.58
9	101184	M6 x 10 BTN SHCS BLKZC w/Patch	2	\$1.58
10a	100696	M5 x 30mm PPH Capscrew <i>Used with Standard Arm Pad</i>	2	\$1.58
10b	100654	M5 x 40 DIN7985 PH Pan HD M/S ZC <i>Used with Waterfall Arm Pad</i>	2	\$1.58
11	100803	Tube End Plug 7/8"	2	\$1.58
12	100501	Arm Pad Desk	1	\$23.64
13	101125	M6 x 55 BTN SHCS BLKZC	1	\$2.10
14	100746	M6 Flat Washer Blk Zn	1	\$1.58
15	100658	M6 Nylock Nut Blk Zn	1	\$1.05

Item Number	Part Number	Description	Quantity	Retail
16	102521	Waterfall Arm Pad Desk	1	\$32.80
17	101456	M6 Ovl Top L/N ZC	1	\$1.58