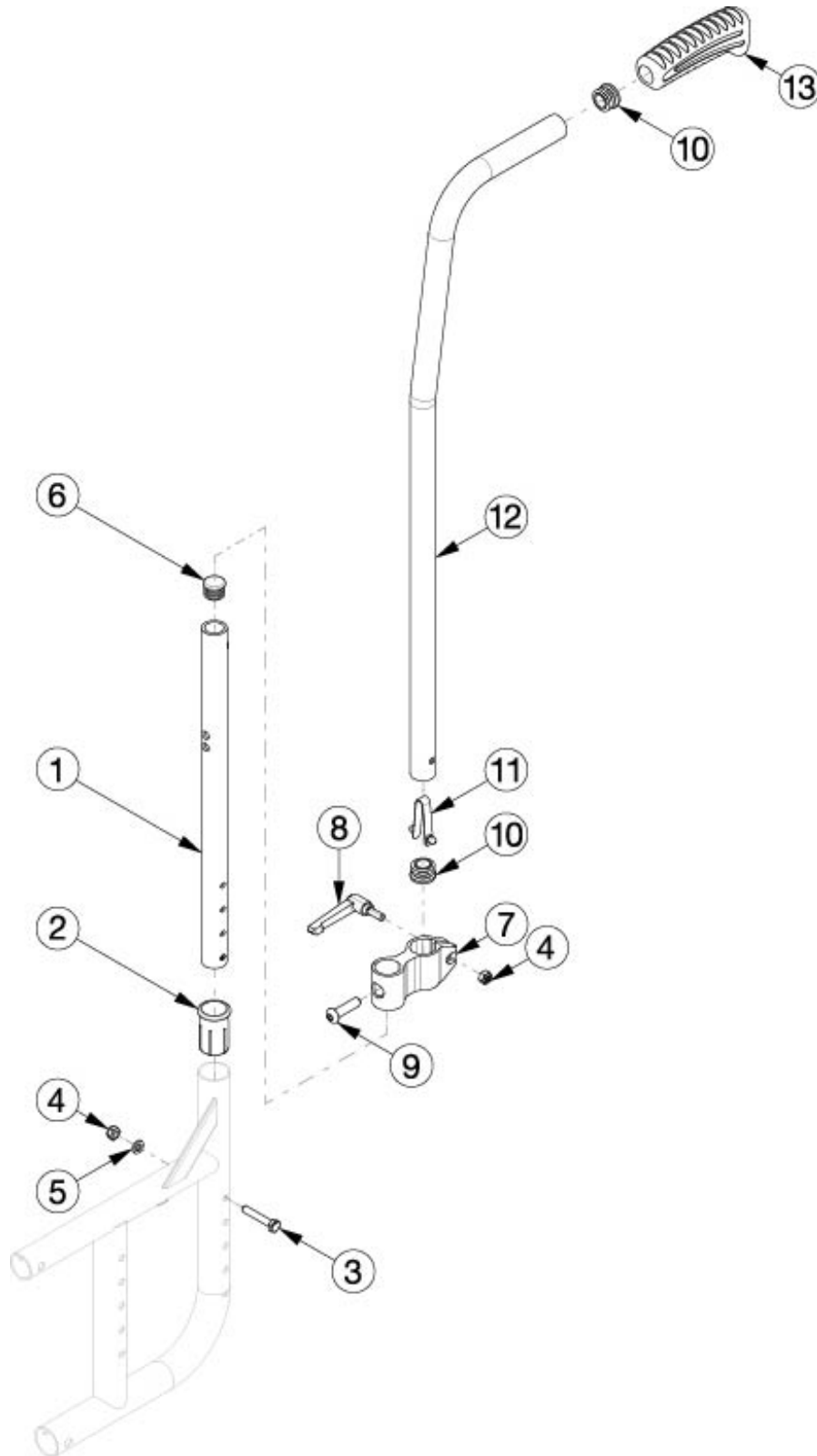


Catalyst 5 - 5Ti Straight No Push Handles and Caregiver Height Adjustable Stroller Handles



Not compatible with BTX and FXT Axiom Back Hardware If Anti-Rollback is present, see Back Tubes for Anti-Rollback System

Item Number	Part Number	Description	Quantity
1a, 2-13	120820	Caregiver Height Adjustable Stroller Handle Short Back Tube Kit Pair	1
1b, 2-13	120821	Caregiver Height Adjustable Stroller Handle Medium Back Tube Kit Pair	1
1c, 2-13	120822	Caregiver Height Adjustable Stroller Handle Tall Back Tube Kit Pair	1
4, 7-13	120823	Caregiver Height Adjustable Stroller Handle assembly with Clamp Single Side	1
10-13	120857	Caregiver Height Adjustable Stroller Handle Single Side	1
4, 7-9	120856	Caregiver Height Adjustable Stroller Handle Clamp with Hardware Single Side	1
1a, 6	120824	Straight No Push Handles Short Back Tube Assembly Single Side	1
1b, 6	120825	Straight No Push Handles Medium Back Tube Assembly Single Side	1
1c, 6	120826	Straight No Push Handles Tall Back Tube Assembly Single Side	1
2-5	120859	Caregiver Height Adjustable Stroller Handle Backrest Mount Hardware Single Side Cat 5 / 5 Ti / 5Vx	2
2	000030	Backrest Sleeve Cat	2
3	100860	M6 X 35 Hhcs P/Thd Zc	2
4	100658	M6 Nylock Nut Blk Zn	2
5	102803	Washer Flat .250 X .500 X .027 Hx Blz	2
6	100638	Tube End Plug 3/4"	2
7	112423	Caregiver Height Adjustable Stroller Handle Clamp	2
8	102734	Stroller Handle Clamp Handle (16mm) Rigid/Flip/Tyke	2
9	103551	BHCS, M8 x 1.25 x 30 BLZ	2
10	100803	Tube End Plug 7/8"	4
11	100534	Detent Button Lower	2
13	109433	Ergo Push Handle Grip 7/8" Standard with Instruction	2