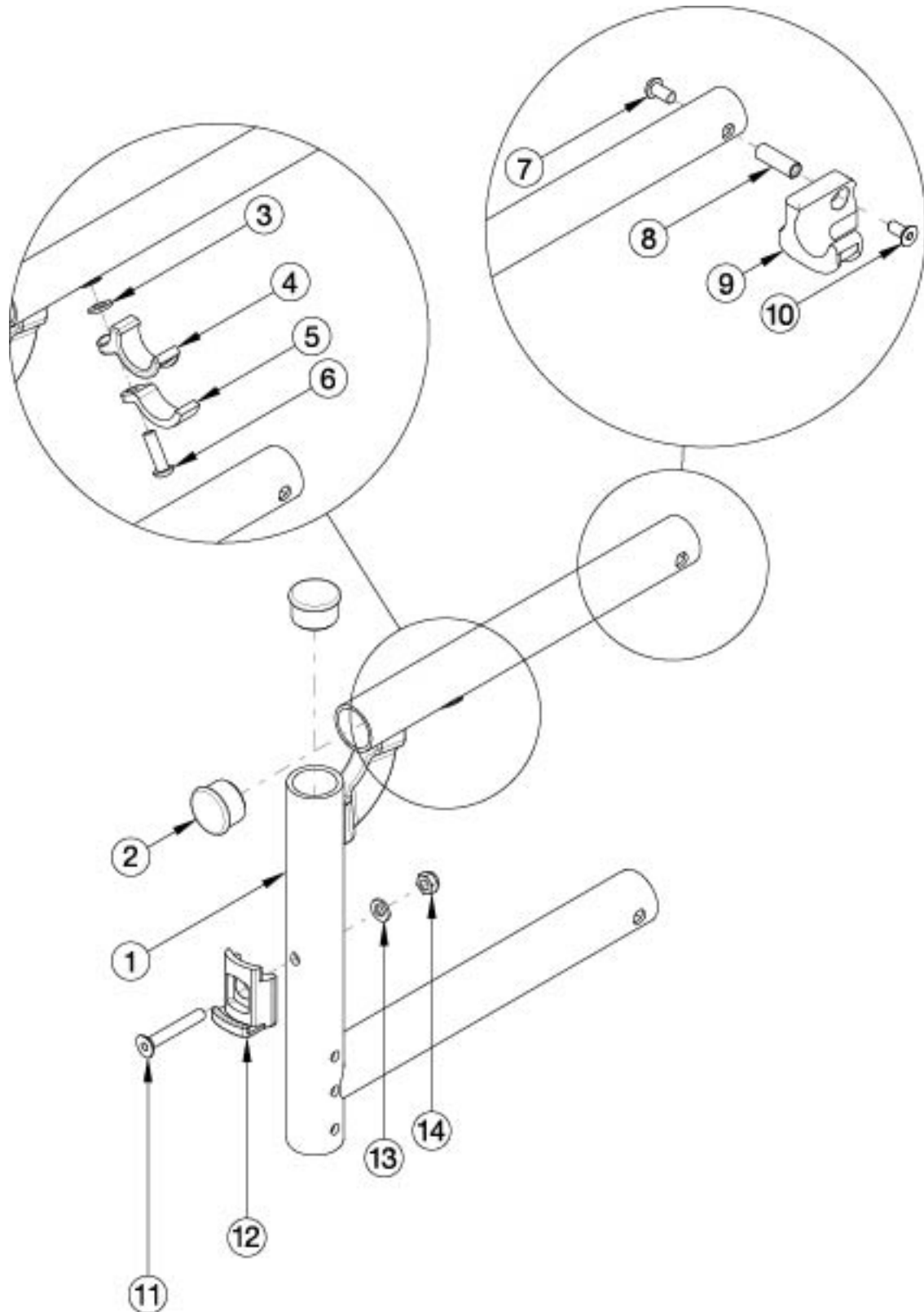


Catalyst Heavy Duty Swing Away Front Frame



This Heavy Duty front frame design with 350 lbs Weight Capacity option effective starting 1/25/21. 16" and 18" seat depths use the same front frames. 17" and 19" seat depths use the same front frames. Frame assemblies are based on Seat Depth. If switching to a new Seat Depth, new Height Adjustable T-Arms or Height Adjustable Flip Back T-Arms may be needed. If chair has Flip Back or is an AADL chair, select a frame assembly with the Flip Back Arm Modification. If retrofitting from a Fixed Front Frame, new caster housings with attaching hardware and latch blocks with hardware are required. If quoting a Right Front Frame for Australia or New Zealand, 122921 is required when transit is not present.

Item Number	Part Number	Description	Quantity
3-6	114528	Seat Hook and Support Hardware Kit, Standard, for Heavy Duty Catalyst <i>This kit contains quantity of 1 each</i>	1
7, 8, 9a, 10	111569	Seat Hook and Support Hardware Kit Seating System Right Front Frame / Left Rear Frame Catalyst <i>This kit contains quantity of 1 each</i>	1
7, 8, 9b, 10	111570	Seat Hook and Support Hardware Kit, Seating System Left Front Frame / Right Rear Frame Catalyst <i>This kit contains quantity of 1 each</i>	1
1a, 2	114504_ _ _	Frame Assembly, Heavy Duty, Catalyst Front, Left 14 _ _ _	1
1b, 2	114505_ _ _	Frame Assembly, Heavy Duty, Catalyst Front, Left 15 _ _ _	1
1c, 2	114506_ _ _	Frame Assembly, Heavy Duty, Catalyst Front, Left 16 _ _ _	1
1d, 2	114507_ _ _	Frame Assembly, Heavy Duty, Catalyst Front, Left 17 _ _ _	1
1e, 2	114508_ _ _	Frame Assembly, Heavy Duty, Catalyst Front, Left 18 _ _ _	1
1f, 2	114509_ _ _	Frame Assembly, Heavy Duty, Catalyst Front, Left 19 _ _ _	1
1g, 2	114510_ _ _	Frame Assembly, Heavy Duty, Catalyst Front, Left 20 _ _ _	1
1h, 2	114511_ _ _	Frame Assembly, Heavy Duty, Catalyst Front, Right 14 _ _ _	1
1i, 2	114512_ _ _	Frame Assembly, Heavy Duty, Catalyst Front, Right 15 _ _ _	1
1j, 2	114513_ _ _	Frame Assembly, Heavy Duty, Catalyst Front, Right 16 _ _ _	1
1k, 2	114514_ _ _	Frame Assembly, Heavy Duty, Catalyst Front, Right 17 _ _ _	1
1l, 2	114515_ _ _	Frame Assembly, Heavy Duty, Catalyst Front, Right 18 _ _ _	1
1m, 2	114516_ _ _	Frame Assembly, Heavy Duty, Catalyst Front, Right 19 _ _ _	1
1n, 2	114517_ _ _	Frame Assembly, Heavy Duty, Catalyst Front, Right 20 _ _ _	1
1c, 2	114518_ _ _	Frame Assembly, Heavy Duty, Catalyst Front with Flip Back Arm Modification, Left 16 _ _ _	1
1d, 2	114519_ _ _	Frame Assembly, Heavy Duty, Catalyst Front with Flip Back Arm Modification, Left 17 _ _ _	1
1e, 2	114520_ _ _	Frame Assembly, Heavy Duty, Catalyst Front with Flip Back Arm Modification, Left 18 _ _ _	1
1f, 2	114521_ _ _	Frame Assembly, Heavy Duty, Catalyst Front with Flip Back Arm Modification, Left 19 _ _ _	1

Item Number	Part Number	Description	Quantity
1g, 2	114522_ _ _	Frame Assembly, Heavy Duty, Catalyst Front with Flip Back Arm Modification, Left 20 _ _ _	1
1j, 2	114523_ _ _	Frame Assembly, Heavy Duty, Catalyst Front with Flip Back Arm Modification, Right 16 _ _ _	1
1k, 2	114524_ _ _	Frame Assembly, Heavy Duty, Catalyst Front with Flip Back Arm Modification, Right 17 _ _ _	1
1l, 2	114525_ _ _	Frame Assembly, Heavy Duty, Catalyst Front with Flip Back Arm Modification, Right 18 _ _ _	1
1m, 2	114526_ _ _	Frame Assembly, Heavy Duty, Catalyst Front with Flip Back Arm Modification, Right 19 _ _ _	1
1n, 2	114527_ _ _	Frame Assembly, Heavy Duty, Catalyst Front with Flip Back Arm Modification, Right 20 _ _ _	1
2	100804	Tube End Plug 1" <i>Quantity 2 per side when omitting hangers</i>	1
3	100831	1/2" Washer OD .040" Thick	1
4	000003	Seat Hook, Catalyst	1
5	000004	Seat Hook Support, Catalyst	1
6	101180	M6 x 20 SHCS BLK ZC	1
7	100667	M6 x 12 BTN SHCS BLKZC w/Patch	1
8	000065	M6 x 23.68 Threaded Barrel	1
9a	000960R	Seat Hook Open Frame Right Front Frame / Left Rear Frame, Catalyst	1
9b	000960L	Seat Hook Open Frame Left Front Frame / Right Rear Frame, Catalyst	1
10	101594	M6 x 14 CLS10.9 DIN7991 FSHCS BLKZC w/Patch	1
11	101819	M6 x 40 FHCS Blk Zn	1
12	000336	Latch Block	1
13	100746	M6 Flat Washer Blk Zn	1
14	100658	M6 Nylock Nut Blk Zn	1
	122921	Not AS/NZS 3696.19 Compliant On-Chair Label with Instruction	1

Matte Finish	
Code	Color Name
CGM	Charcoal Gray
EGM	Emerald Green
GGM	Graphite Gray*
IBM	Iridescent Burgundy
INM	Iridescent Navy
AGM	Military Green**
RRM	Retro Red
RBM	Royal Blue
SBM	Shadow Black
SWM	Smooth White

* Discontinued Color

** Formerly called Army Green

Gloss Finish	
Code	Color Name
BLK	Black
BLU	Blue
SKY	Blue Skies
BRO	Bright Orange*
PNK	Bubblegum Pink
BUR	Burgundy*
CBL	Candy Blue
PUR	Candy Purple
RED	Candy Red
COP	Copper
DPR	Deep Purple*
EBL	Electric Blue*
GRN	Forest Green*
FUS	Fuchsia*
GSM	Granny Smith
MTF	Metallic Fuchsia*
MOR	Metallic Orange
ORG	Orange*
SAP	Sapphire*
SIL	Silver
TEA	Teal
YLW	Yellow
FLM	Graphic Image Transfer