



XTENDER KIT INSTALLATION INSTRUCTIONS GP, GPV, GPSA



Please read these instructions carefully before beginning the installation. Failure to understand and follow installation instructions may result in injury to installer and/or end user and may void the warranty. If you have any questions call Sunrise Medical Technical support at 800-333-4000.

- Xtender Mounting parts:**
- | | |
|-----------------------------|--------------------------|
| 1. 4 ea Large black hex nut | 8. 6 ea 2-1/2" Hex bolt |
| 2. 2 ea Index axle washer | 9. 2 ea 2-3/4" Hex bolt |
| 3. 2 ea Clamp bracket | 10. 4 ea Spacer |
| 4. 2 ea Axle sleeve | 11. 6 ea Small washer |
| 5. 2 ea T-nut | 12. 10 ea Nylock nut |
| 6. 2 ea T-nut washer | 13. 4 ea Saddle |
| 7. 2 ea T-nut bolt | 14. 2 ea 1-3/4" Hex bolt |

Tools needed:

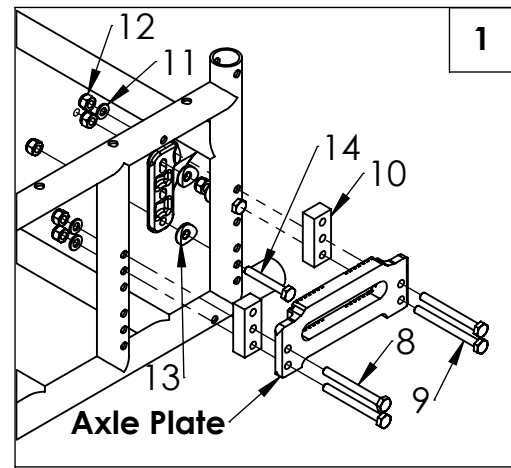
- | | |
|----------------|--------------------|
| 1. 5mm hex key | 4. 2ea 7/6" wrench |
| 2. 12mm wrench | 5. Socket wrench |
| 3. 19mm wrench | 6. 7/16" Socket |

A. INSTALL THE AXLE PLATES

1 1a

Using the standard axle plate:

- Assemble and attach both axle plates (left and right) to the chair frame making sure to use the spacers and hex bolts as shown. Leave loose.
- Use two of the 2-1/2" hex bolts (8) and one spacer (10) to attach the axle plate to the frame at the front. Attach the nuts (12) and washers (11). Leave loose.
- Use the other hex bolt (8), longer bolt (9), and spacer (10) at the back of the chair. Before attaching the rear nuts and washers to the hex bolts, make sure that the anti-tip receiver is mounted on the inside of the frame with saddles, figure 1a. Mount as shown in figure 1a depending on axle plate position. Use shorter bolt (14) for bottom receiver hole. Leave loose.



B. MOUNTING THE EXTENDER BRACKET

2

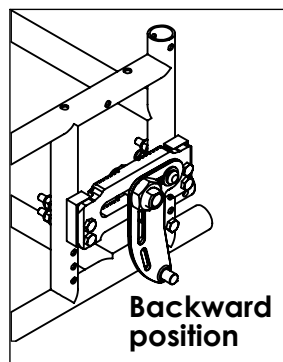
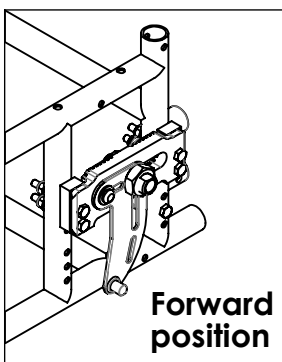
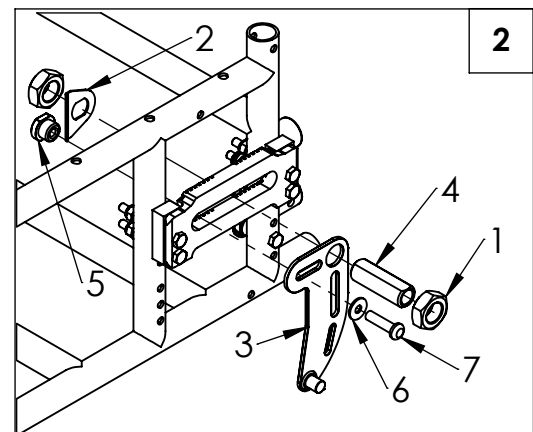
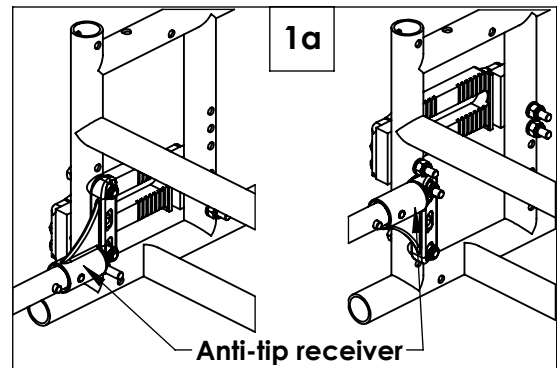


Warning

Attention dealers and qualified technicians, make sure that the axle placement and center of gravity of the chair is in the same location as it was before the installation. Clamp bracket can be installed in either forward or backward position.

Install axle sleeves and clamp bracket:

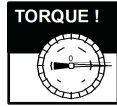
- Install axle sleeve nut (1) to the axle sleeve (4).
- Install the assembly through the clamp bracket (3) and then the axle plate slot.
- On back side, place index washer (2) and axle sleeve nut (1) on axle sleeve. Hand tighten the nuts.
- Install T-nut bolt (7) through washer (6), and then through the clamp bracket slot (3).
- On the back side place the T-nut (5) into the axle plate slot thread bolt (7) into T-nut. Leave loose.
- Tighten axle plate nuts.
- Tighten axle sleeve nuts.
- Torque axle sleeve nuts to 30 ft-lbs and screws to 85 in-lbs.
- Repeat steps for both sides.



INSTALL PLATE LOCK 3

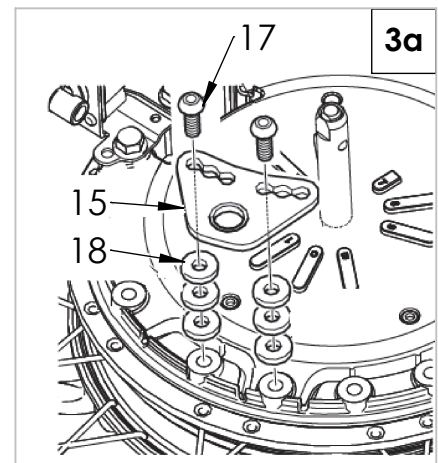
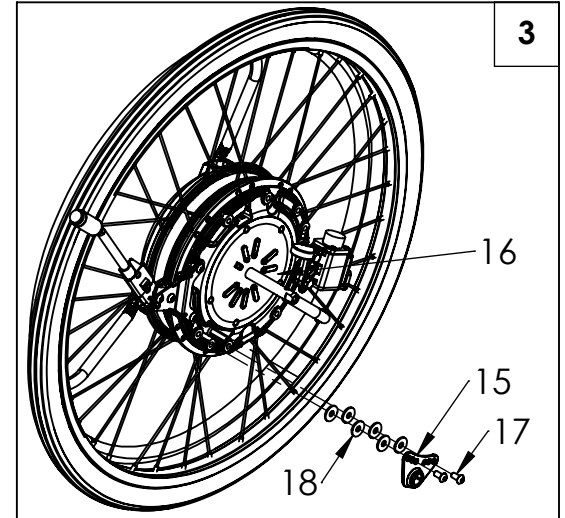
C. Installing plate lock on wheel drive unit assembly:

1. Install plate lock (15) so that it faces in the direction shown in figure 3, 3a, & 3b.
2. Secure the plate lock to the drive unit (16) with screws (17) and washers (18).
3. Torque bolts to 8.5 - 12 N-m



D. INSPECT

1. **Double-check Orientation and torque on all Hardware.**
 - a. Check that the axles have been installed evenly from side to side.
 - b. Using a torque wrench and socket wrench check all hardware for correct torque.
 - c. See Yamaha owner's manual for additional information.



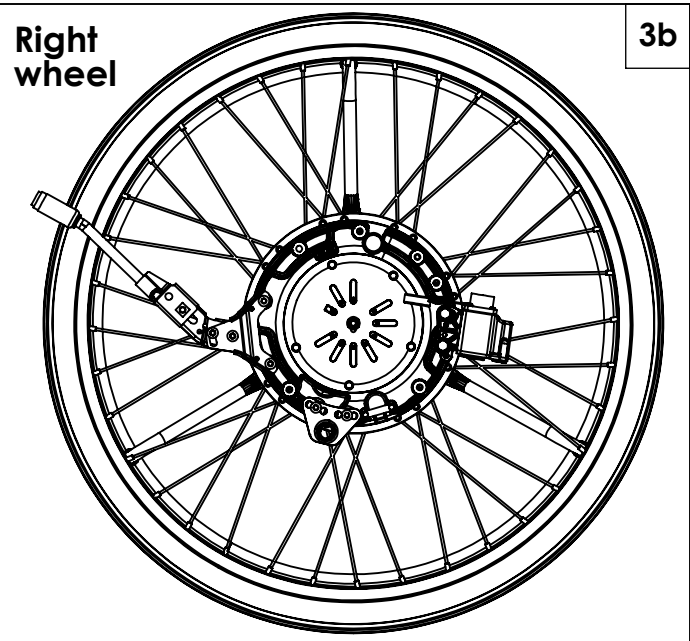
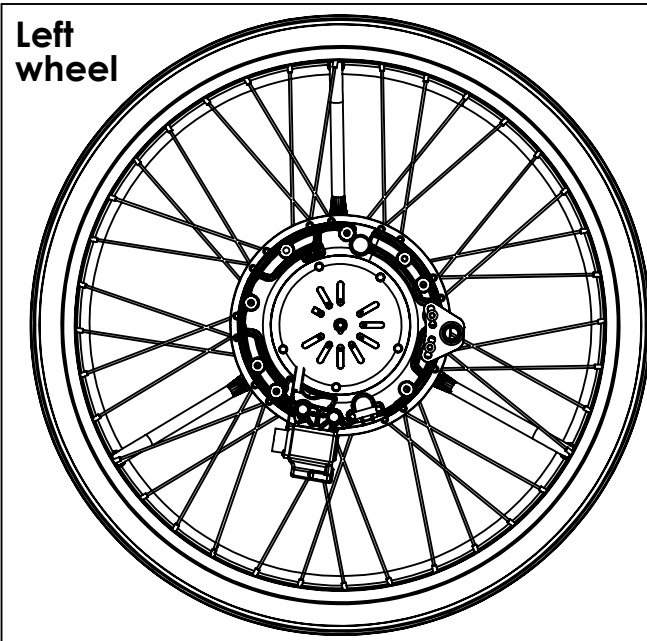
DEALER/TECHNICIAN WARNING



WARNING

Attention dealers and qualified technicians, do not operate or service this device without first reading the owner's manual. If you do not understand the instructions and warnings in the owner's manual please contact the Quickie Technical Service Department before operating and/or servicing the Quickie device. Failure to do so may result in damage and/or injury.

For more information and important warnings, you can find the Xtender owner's manual at www.Sunrisemedical.com/Help-support.



Sunrise Medical 2842 Business Park Ave Fresno, CA 93727 USA
In Canada (800) 263-3390