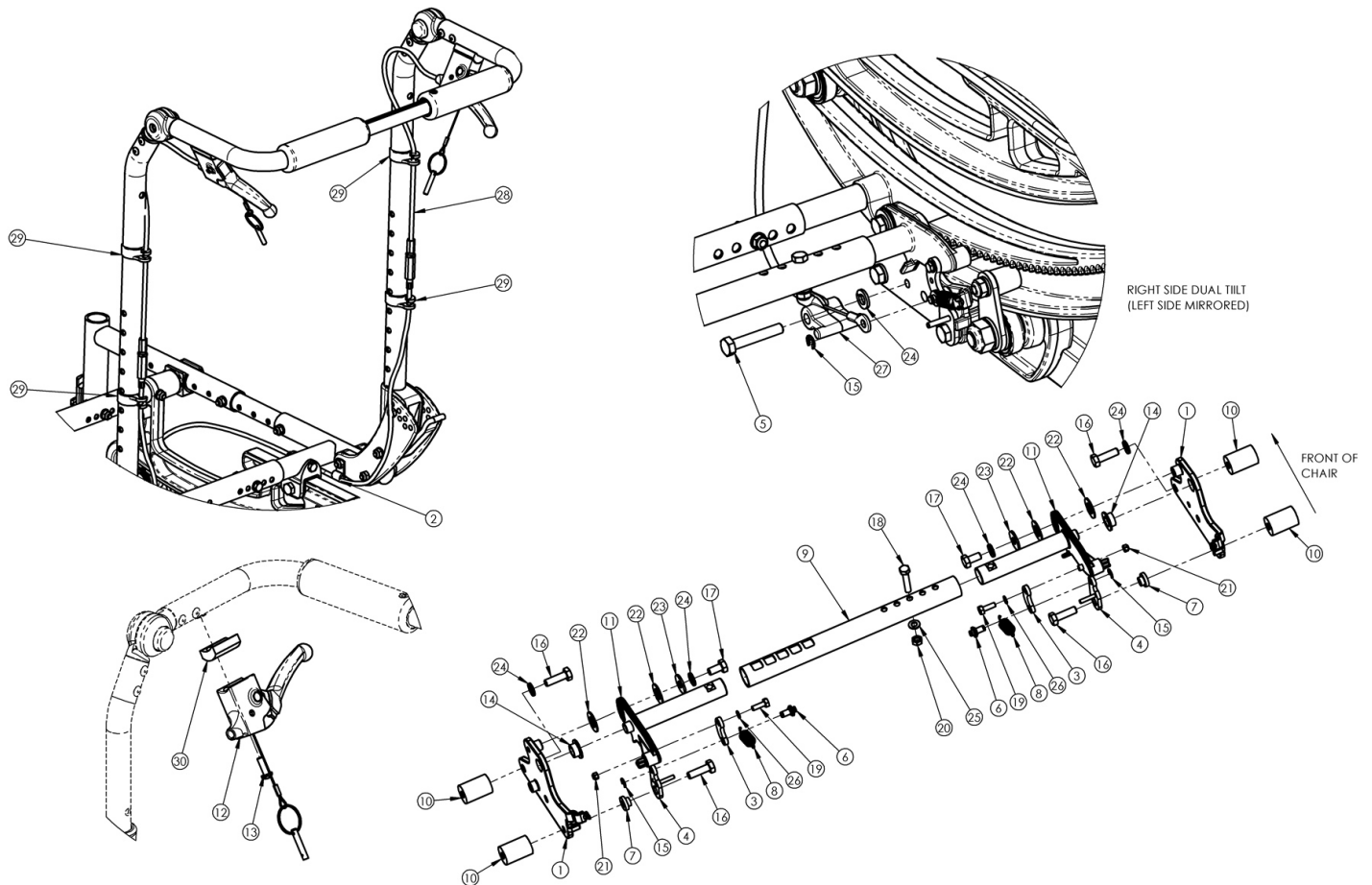


(Discontinued 1) Focus CR Dual Hand Tilt Mechanism Fixed Height with Adjustable Handle Back



This Focus CR Hand Tilt is discontinued and was used on chairs with serial numbers prior to FCR0025162 and FCHD002316.

Item Number	Part Number	Description	Quantity
2, 10, 12, 13, 28a, 29	505241	Dual Hand Tilt / Trigger Kit for Short Fixed Height Back with Adjustable Handle, Focus	1
2, 10, 12, 13, 28b, 29	505242	Dual Hand Tilt / Trigger Kit for Tall Fixed Height Back with Adjustable Handle, Focus	1
1b, 14	503764	Tilt Lock Mount Bracket w/ Bearing Kit, Left, Focus, Dual Height Adjustable	1
2	001239	P-Clip 3/16"	2
4a	002084	Toggle, Drive, Tilt, R	1
4b	002085	Toggle, Drive, Tilt, L	1
5	101824	M6 X 30 Hhcs Blk Zn	2
6	003364	Pin, Toggle, Tilt	2

Item Number	Part Number	Description	Quantity
9a	002094	Growth Strut, Tilt Lock, Small	1
9b	002095	Growth Strut, Tilt Lock, Med	1
9c	002096	Growth Strut, Tilt Lock, Large	1
10	003367	Spacer, Tilt Lever	2
12	002801	Lever Assembly Horizontal Tilt	2
13	100696	M5 x 30mm PPH Capscrew	2
16a	101823	M6 X 20 Hhcs Blk Zn	4
16b	100674	M6 x 45 CLS10.9 DIN931 HHCS ZC <i>Used with Heavy Duty option/spacer</i>	2
16c	101826	M6 x 50 HHCS Blk Zn <i>Used with Heavy Duty option/spacer</i>	2
17	101822	M6 x 12 HHCS BLKZC w/Patch	2
18	101821	M5 x 25 HHCS Blk Zn	1
19	102783	M3 x 12 HHCS, CL8.8, Blk Zn	2
20	100657	M5 Nylock Nut Blk Zn	1
21	102784	Nut, Nylock, M3, Blk	2
22	102082	Washer Nylon .406IDX.75ODX.040	4
23	101853	M6 Washer Blk Zn	2
24	101835	M6 Lock Washer Blk Zn	5
25	101856	Flat Washer, M5, Blk Zn	1
26	102785	Flat Washer, M3, Blk Zn	2
27	003387	Cable Mount, Tilt	2
28a	002102	Cable, Tilt, Long	2
28b	002103	Cable, Tilt, XL	2
29	001117	Cable Clip 1"	4
30	001405	Spacer, .69OD x .24ID x .1.01Lg <i>Only used with Heavy Duty Option</i>	4