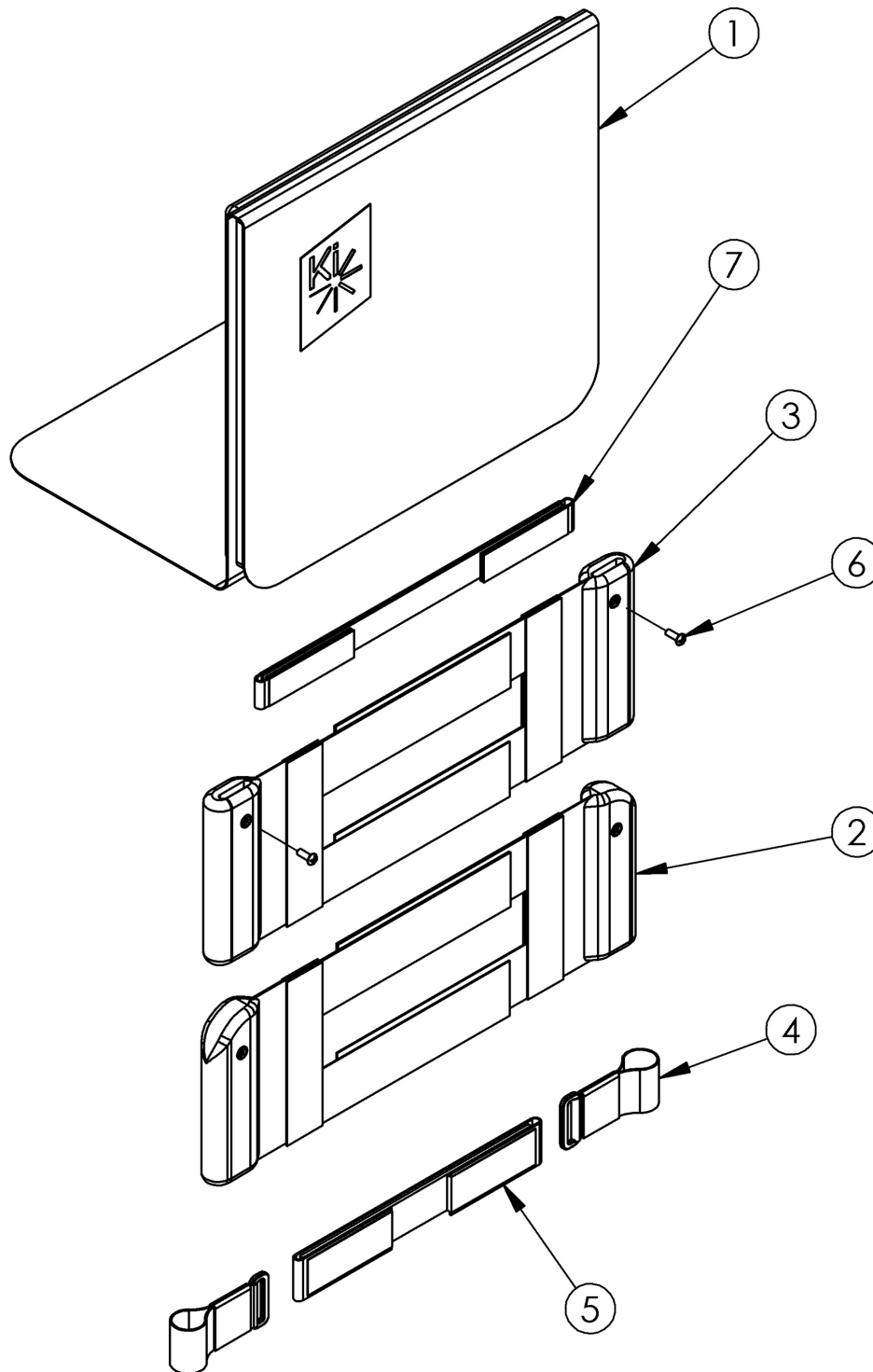


# Discontinued 1 Rigid Padded Velcro Adjustable Back Upholstery

---



*This Padded Velcro Adjustable Back Upholstery was effective prior to November 2016. Please see Rigid Padded Velcro Adjustable Back Upholstery page for current assemblies.*

<b>Item Number</b>	<b>Part Number</b>	<b>Description</b>	<b>Quantity</b>
1a	101166	Backrest Cover 10LW 10-16.5	1
1j	105067	Backrest Cover 21C 20R 10-13.5	1
1k	105030	Backrest Cover 22C 21R 10-13.5	1
1v	105072	Backrest Cover 22R 14-19.5	1
4	100973	Back Upholstery D-Ring	2
6	100734	M5 x 16 PHMS ZC	2
7a	001750	Tension Strap Folding Handle 14-15 Wide	1
7b	001751	Tension Strap Folding Handle 16-17 Wide	1
7c	001752	Tension Strap Folding Handle 18-19 Wide	1
7d	001753	Tension Strap Folding Handle 20-22 Wide	1