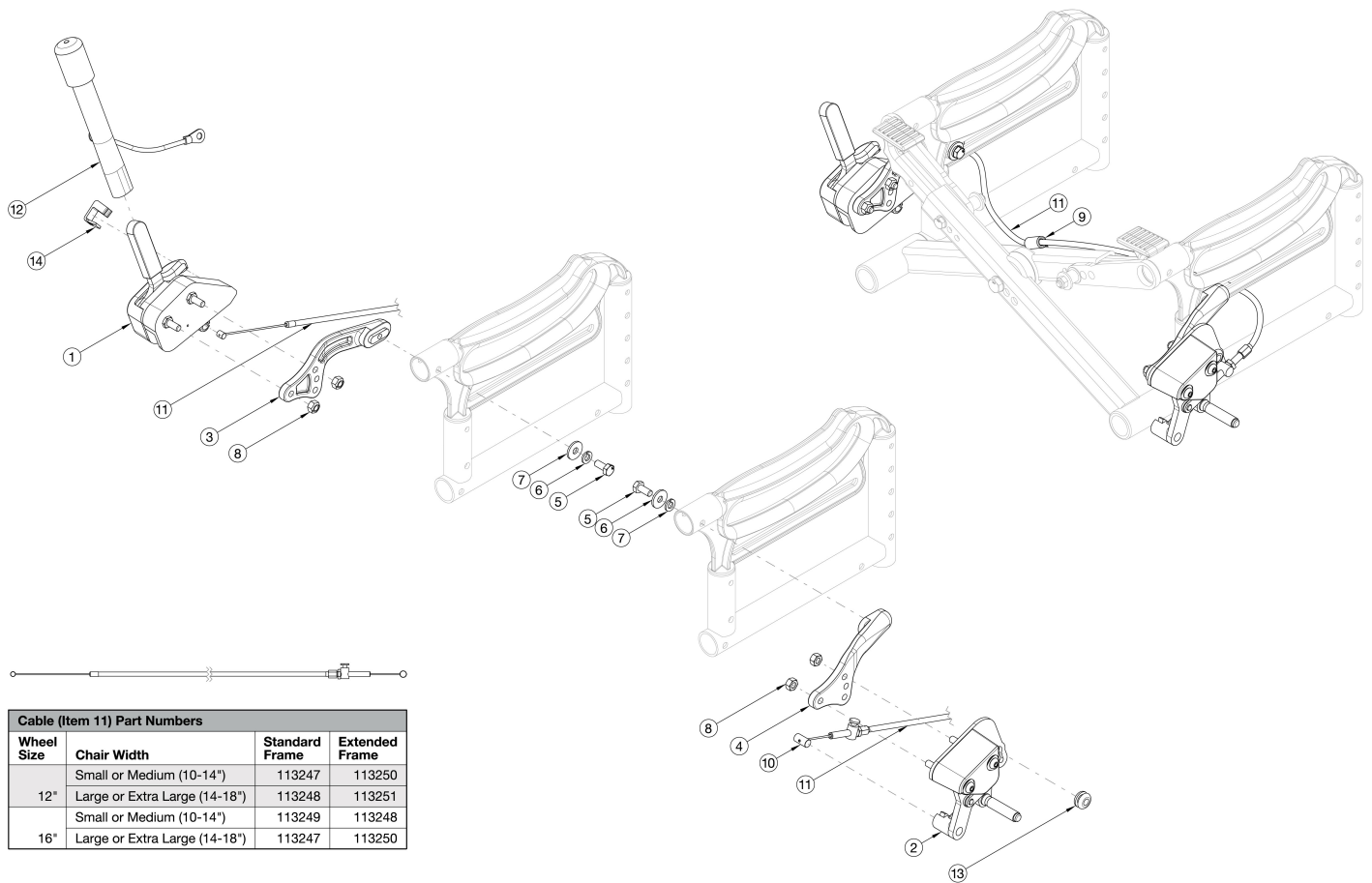


# Arc Hemi Wheel Lock



For complete retro-fit select the right or left hemi wheel lock assembly, hemi wheel lock mount kit, and the appropriate cable. Please reference the chart in the image above to determine what length cable is needed. Tip: The extended rear frame is used when the Reclining Backrest or Vent/Battery Tray is present. The Arc Wheel Lock Mount is the same across all styles of Wheel Locks and is not needed if changing Wheel Lock styles.

Item Number	Part Number	Description	Quantity
1a, 2a, 8, 9, 12, 13	113244	Hemi Wheel Lock Assembly, Right, Arc	1
1b, 2b, 8, 9, 12, 13	113245	Hemi Wheel Lock Assembly, Left, Arc	1
3-7	113246	Hemi Wheel Lock Mount Kit, Arc	1
1a	111593	Hemi Wheel Lock, Master Assembly, Right without Mount	1
1b	111594	Hemi Wheel Lock, Master Assembly, Left without Mount	1
2a	111591	Wheel Lock Follower Assembly without Mount, Left	1
2b	111592	Wheel Lock Follower Assembly without Mount, Right	1
3	110238	Wheel Lock Mount, Right	1

Item Number	Part Number	Description	Quantity
4	110239	Wheel Lock Mount, Left	1
5	102794	M6 x 14, HHCS, Blk Zn	2
6	101835	M6 Lock Washer Blk Zn	2
7	101853	M6 Washer Blk Zn	2
8	101456	M6 Ovl Top L/N ZC	4
9	111597	P-Clip, 1/4", 3/8" Hole	1
10	111598	Drum Brake, Pinch Bolt	1
10, 11a, 14	113247	Hemi Wheel Lock Cable, 3XS, Arc	1
10, 11b, 14	113248	Hemi Wheel Lock Cable, 2XS, Arc	1
10, 11c, 14	113249	Hemi Wheel Lock Cable, 4XS, Arc	1
10, 11d, 14	113250	Hemi Wheel Lock Cable, XS, Arc	1
10, 11e, 14	113251	Hemi Wheel Lock Cable, S, Arc	1
12	200369	Wheel Lock Extension	1
13	115743	Wheel Lock Retaining Grommet	1
14	115879	Hemi Wheel Lock Cable Retaining Clip with Instruction	1