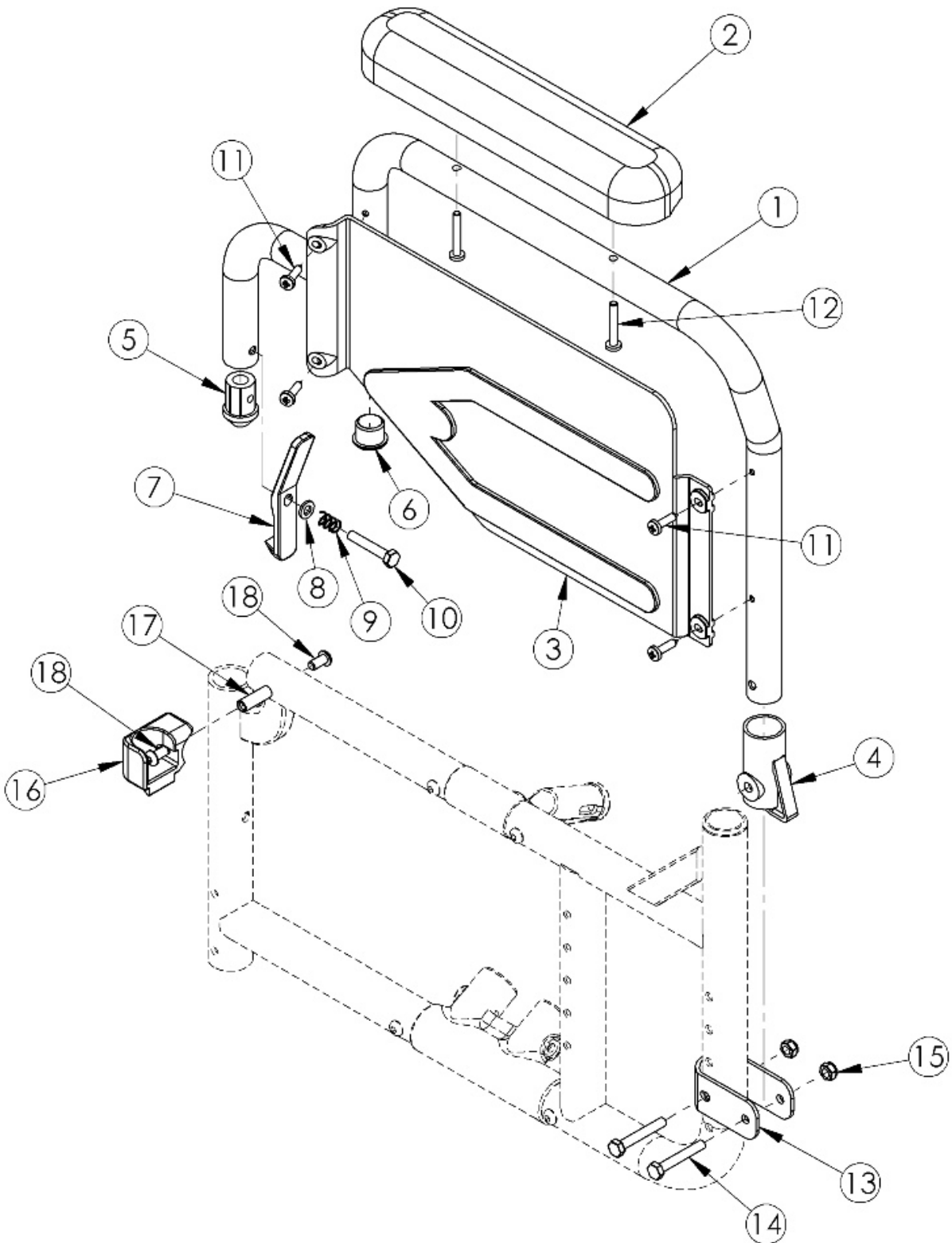


Catalyst 5 Flip Back Armrest



If retrofitting to Flip Back Armrests, please note the following: Receivers are needed New front frames are required If One Arm Drive is present, a new drive shaft may be required. In addition to a new drive shaft, order the corresponding hardware kit: 109438 for Blade Style One Arm Drive, 503433 for Hex Style One Arm Drive or 112898 for Quick Release Style One Arm Drive Extended wheellock clamps may be needed

Item Number	Part Number	Description	Quantity
1a, 2a, 3b, 4 - 12, 13, 14, 15, 16a, 17, 18	502259	Armrest Flip Back w/ Receiver and Bracket Kit Left Desk CAT5	1
1c, 2a, 3a, 4 - 12, 13, 14, 15, 16b, 17, 18	502260	Armrest Flip Back w/ Receiver and Bracket Kit Right Desk CAT5	1
1b, 2b, 3b, 4 - 12, 13, 14, 15, 16a, 17, 18	502261	Armrest Flip Back w/ Receiver and Bracket Kit Left Full CAT5	1
1d, 2b, 3a, 4 - 12, 13, 14, 15, 16b, 17, 18	502262	Armrest Flip Back w/ Receiver and Bracket Kit Right Full CAT5	1
1b, 1d, 2a, 3a, 3b, 4 - 12, 13, 14 - 18	502281	Armrest Flip Back w/ Receiver and Bracket Kit PAIR Desk CAT5	1
1b, 1d, 2b, 3a, 3b, 4 - 12, 13, 14 - 18	502282	Armrest Flip Back w/ Receiver and Bracket Kit PAIR Full CAT5	1
1a, 2a, 3b, 4 - 12	500734	Armrest Assembly Std Flip Back Desk Left CAT	1
1c, 2a, 3a, 4 - 12	500735	Armrest Assembly Std Flip Back Desk Right CAT	1
1b, 2b, 3b, 4 - 12	500736	Armrest Assembly Std Flip Back Full Left CAT	1
1d, 2b, 3a, 4 - 12	500737	Armrest Assembly Std Flip Back Full Right CAT	1
13, 14, 15	502252	Armrest Flip Back Bracket Kit CAT5	1
16a, 17, 18	502253	Armrest Flip Back Receiver Kit Left CAT	1
16b, 17, 18	502254	Armrest Flip Back Receiver Kit Right CAT	1
2a	100501	Arm Pad Desk	1
2b	100500	Arm Pad Full	1
3a	100687	Armrest Flip Back Panel Fixed Right	1
3b	100688	Armrest Flip Back Panel Fixed Left	1
4	100691	Armrest Flip Back Rear Pivot Bracket	1
5	100690	Armrest Flip Back Front Tube Plug	1
6	100803	Tube End Plug 7/8"	1
7	100689	Armrest Flip Back Release Lever	1
8	102072	Washer Nylon .234 ID x .406 OD x .062 Thick	1

Item Number	Part Number	Description	Quantity
9	100693	Compression Spring 0.34" OD x 0.70 LG	1
10	100860	M6 X 35 Hhcs P/Thd Zc	1
11	100723	10 x 3/4 PH Pan HD T-A T/S ZC	4
12	100696	M5 x 30mm PPH Capscrew	2
13	000280	Armrest Flip Back Bracket CAT 5	1
14	100681	M6 x 40 CLS8.8 DIN931 HHCS ZC	2
15	100658	M6 Nylock Nut Blk Zn	2
16a	000081	Armrest Flip Back Receiver Left CAT	1
16b	000082	Armrest Flip Back Receiver Right CAT	1
17	000065	M6 x 23.68 Threaded Barrel	1
18	100667	M6 x 12 BTN SHCS BLKZC w/Patch	2