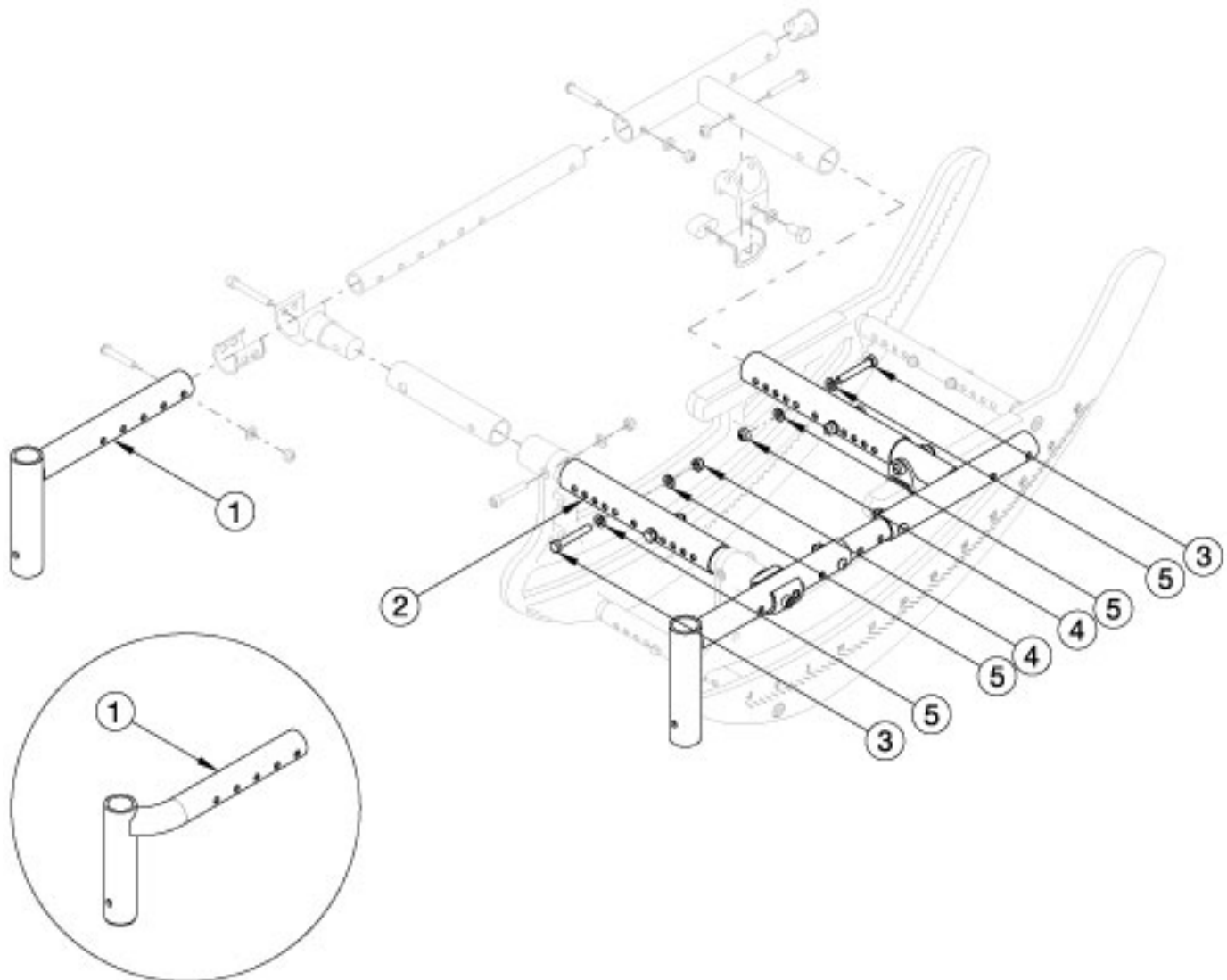


# Focus CR Seat Frame - Growth



**Offset seat tube (1d-1i)**

*Has your seat width and/or depth changed? Will your current base strut and seat tube work? If not, please select accordingly.*

Item Number	Part Number	Description	Quantity
1a	001038	Seat Tube Weld Front Short TILT <i>Accommodates 14" - 18" Depths</i>	2
1b	001039	Seat Tube Weld Front Medium TILT <i>Accommodates 16" - 20" Depths</i>	2
1c	001040	Seat Tube Weld Front Long HD <i>Accommodates 18" - 22" Depths</i>	2
1d	001046	Seat Tube Weld Front Offset Right Short TILT <i>Accommodates 14" - 18" Depths with Offset Hangers</i>	1

Item Number	Part Number	Description	Quantity
1e	001047	Seat Tube Weld Front Offset Right Medium TILT <i>Accommodates 16" - 20" Depths with Offset Hangers</i>	1
1f	001048	Seat Tube Weld Front Offset Right Long HD TILT <i>Accommodates 18" - 22" Depths with Offset Hangers</i>	1
1g	001049	Seat Tube Weld Front Offset Left Short TILT <i>Accommodates 14" - 18" Depths with Offset Hangers</i>	1
1h	001050	Seat Tube Weld Front Offset Left Medium TILT <i>Accommodates 16" - 20" Depths with Offset Hangers</i>	1
1i	001051	Seat Tube Weld Front Offset Left Long HD TILT <i>Accommodates 18" - 22" Depths with Offset Hangers</i>	1
2a	001011	Growth Strut, Base, Small Tilt <i>Accommodates 14" - 18" Widths</i>	2
2b	001012	Growth Strut, Base, Medium Tilt <i>Accommodates 16" - 20" Widths</i>	2
2c	001013	Growth Strut, Base, Large Tilt <i>Accommodates 18" - 22" Widths</i>	2
2d	112005	Growth Strut, Base, X-Large Tilt <i>Accommodates 20" - 24" Widths</i>	2
2a, 3, 4, 5	501126	Seat Frame Strut Assm Small Focus <i>Accommodates 14" - 18" Widths</i>	1
2b, 3, 4, 5	501127	Seat Frame Strut Assm Medium Focus <i>Accommodates 16" - 20" Widths</i>	1
2c, 3, 4, 5	501128	Seat Frame Strut Assm Large Focus <i>Accommodates 18" - 22" Widths</i>	1
2d, 3, 4, 5	114276	Seat Frame Strut Assm X-Large Focus <i>Accommodates 20" - 24" Widths</i>	1