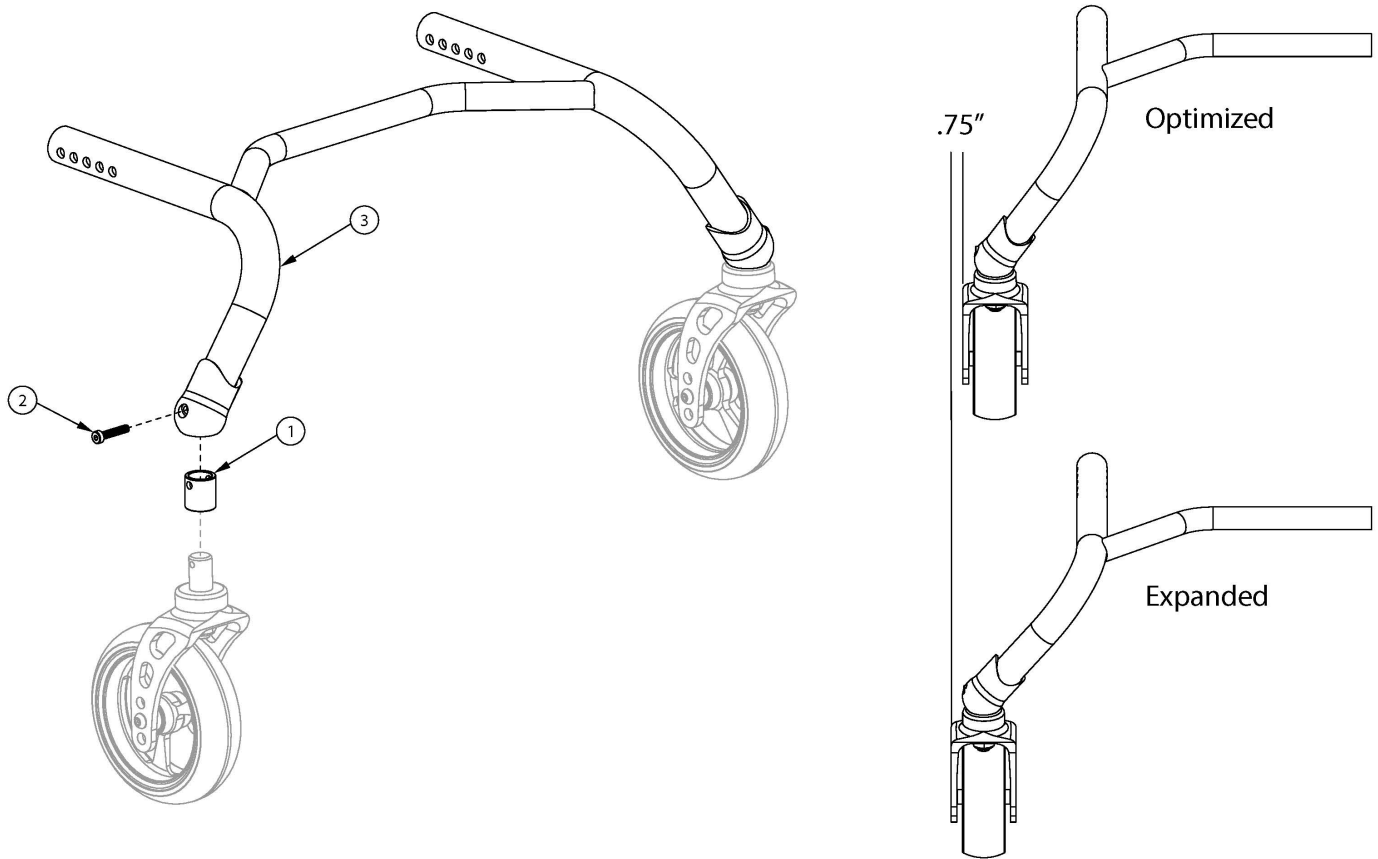


# Ethos Front Base Frame



Replacement Front Base Frames can be quoted but must be ordered through Customer Service

Item Number	Part Number	Description	Quantity
1a	003981	0 Degree Caster Sleeve	2
1b	003979	1 Degree Caster Sleeve	2
1c	003980	2 Degree Caster Sleeve	2
1d	003978	3 Degree Caster Sleeve	2
2	103395	M5 x 25 LHCS Blk Zc	2

# Ethos Reference: Caster and Fork Changes

When making changes to fork style, fork size and/or caster size use the chart below to determine if and what additional parts are required. The reference chart identifies the caster sleeve used to square the casters post configuration change and the necessary fork hole position required to maintain front seat height.

NOTE: Ethos ships in its original configuration from Ki Mobility with a zero degree caster sleeve. The rear base frame of Ethos should always be parallel to the ground.

## ANGLE OF CASTER SLEEVE REQUIRED

### NEW OPTION

OLD OPTION	FORK	CASTER DIAMETER	NEW OPTION																	
			STD 3	STD 4	STD 5	STD 6	SINGLE SIDED 3	SINGLE SIDED 4	SINGLE SIDED 5	SINGLE SIDED 6	FROG LEG 3	FROG LEG 4	FROG LEG 5	FROG LEG 6	FROG PHASE 2 3	FROG PHASE 2 4	FROG PHASE 2 5	FROG PHASE 2 6	SINGLE SIDED XSHORT 3	SINGLE SIDED XSHORT 4
STD	3	0°B	0°C	2°C	N/A	2°B	2°C	3°C	N/A	3°B	3°C	N/A	N/A	3°C	3°T	N/A	N/A	1°B	1°B	3°B
STD	4	0°B	0°C	2°C	N/A	2°B	2°C	3°C	N/A	3°B	3°C	N/A	N/A	3°C	3°T	N/A	N/A	1°B	1°B	3°B
STD	5	2°B	2°C	0°C	3°B	0°B	0°C	2°C	N/A	2°B	2°C	3°C	N/A	3°B	3°C	N/A	N/A	3°B	1°B	1°B
STD	6	N/A	3°B	3°C	0°B	3°B	3°C	2°C	2°B	2°B	2°C	0°C	3°B	0°B	0°C	2°C	N/A	N/A	N/A	3°B
SINGLE SIDED	3	2°B	2°C	0°C	3°B	0°B	0°C	2°C	N/A	2°B	2°C	3°C	N/A	3°B	3°C	N/A	N/A	3°B	1°B	1°B
SINGLE SIDED	4	2°B	2°C	0°C	3°B	0°B	0°C	2°C	N/A	2°B	2°C	3°C	N/A	3°B	3°C	N/A	N/A	3°B	1°B	1°B
SINGLE SIDED	5	3°B	3°C	2°C	2°B	2°B	2°C	0°C	3°B	0°B	0°C	2°C	N/A	2°B	2°C	3°C	N/A	N/A	3°B	1°B
SINGLE SIDED	6	N/A	N/A	3°B	2°B	N/A	3°B	3°C	0°B	3°B	3°C	2°C	2°B	2°B	2°C	0°C	3°B	N/A	N/A	N/A
FROG LEG	3	3°B	3°C	2°C	2°B	2°B	2°C	0°C	3°B	0°B	0°C	2°C	N/A	2°B	2°C	3°C	N/A	N/A	3°B	1°B
FROG LEG	4	3°B	3°C	2°C	2°B	2°B	2°C	0°C	3°B	0°B	0°C	2°C	N/A	2°B	2°C	3°C	N/A	N/A	3°B	1°B
FROG LEG	5	N/A	3°B	3°C	0°B	3°B	3°C	2°C	2°B	2°B	2°C	0°C	3°B	0°B	0°C	2°C	N/A	N/A	N/A	3°B
FROG LEG	6	N/A	N/A	N/A	3°B	N/A	N/A	3°B	2°B	N/A	3°B	3°C	0°B	3°B	3°C	2°C	2°B	N/A	N/A	N/A
FROG PHASE 2	3	N/A	3°B	3°C	0°B	3°B	3°C	2°C	2°B	2°B	2°C	0°C	3°B	0°B	0°C	2°C	N/A	N/A	N/A	3°B
FROG PHASE 2	4	N/A	3°B	3°C	0°B	3°B	3°C	2°C	2°B	2°B	2°C	0°C	3°B	0°B	0°C	2°C	N/A	N/A	N/A	3°B
FROG PHASE 2	5	N/A	N/A	3°B	2°B	N/A	3°B	3°C	0°B	3°B	3°C	2°C	2°B	2°B	2°C	0°C	3°B	N/A	N/A	N/A
FROG PHASE 2	6	N/A	N/A	N/A	N/A	N/A	N/A	N/A	3°B	N/A	N/A	3°B	2°B	N/A	3°B	3°C	0°B	N/A	N/A	N/A
SINGLE SIDED XSHORT	3	1°B	1°C	3°C	N/A	3°B	3°B	N/A	N/A	3°C	3°T	N/A	N/A	N/A	N/A	N/A	N/A	0°B	2°B	3°B
SINGLE SIDED XSHORT	4	1°B	1°C	1°C	N/A	1°B	1°B	3°B	N/A	3°B	N/A	N/A	N/A	3°C	3°T	N/A	N/A	2°B	0°B	2°B
SINGLE SIDED XSHORT	5	3°B	3°C	1°C	3°B	1°B	1°B	1°B	N/A	1°B	1°C	3°C	N/A	3°B	3°C	N/A	N/A	3°B	2°B	0°B

Key	
N/A	Change cannot be accommodated using just a caster sleeve. Please contact customer service to process this order.
B	Bottom fork hole.
C	Center fork hole.
T	Top fork hole.