



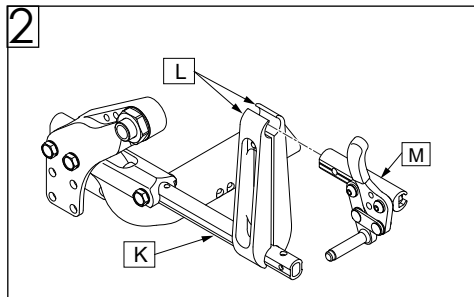
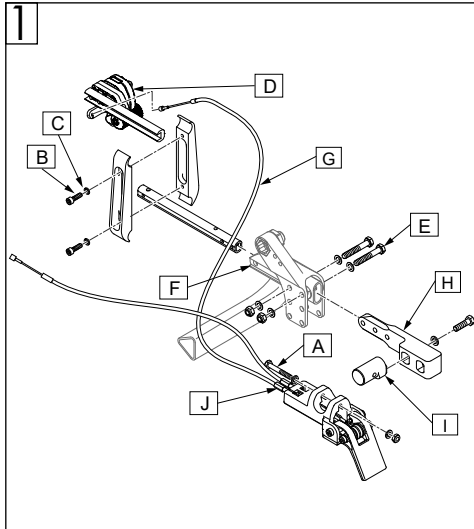
Please read these instructions carefully before beginning the assembly. Failure to understand and follow assembly instructions may result in injury to technician and/or end user and may void the warranty. If you have any questions call Sunrise Medical Technical Support at +1 (800) 333-4000.

Required tools:

1. Torque wrench
2. Ratchet / 13mm Socket wrench
3. 7/16 wrench (qty 2)

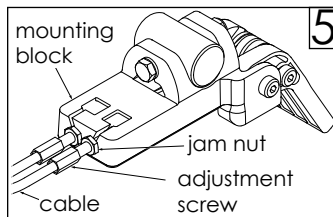
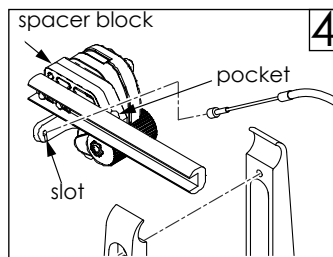
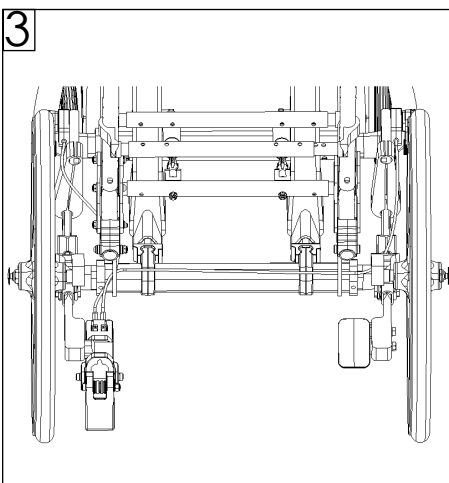
Parts:

1. FOOT PEDAL W/CABLES
2. FOOT PEDALS MOUNT
3. HHCS M8x1.25x45 NP
4. WASHER FLAT AN 5/16 ROHS (x15)
5. MOUNT ATTENDENT W.L.
6. HHCS M8x1.25x35 NP
7. NUT HEX NYLOCK (M8) (x6)
8. WHL LOCK SLIDE BLOCK (x2)
9. REMOTE LOCK SIDE US (RH & LH)
10. SHCS M6x1x60 PART NP (x2)
11. WASHER LOCK M6 (x2)
12. SPACER ATTENDANT WHEEL LOCK (x2)
13. SLIDE ADJ SHRT FOOT LOCK (x2)
14. NUT HEX NYLOCK M6x1.0 (x4)
15. WHEEL LOCK MNT DBL D (x2)
16. CLAMP 0.75"R - 0.75R", A (x2)
17. CLAMP 0.75"R - 0.75R", B (x2)
18. HHCS M8x1.25x25 NP (x4)
19. HHCS M8x1.25x50 BLK (x4)
20. HHCS M8x1.25x60 FULL THRD (x2) (used w/anti-tip, 1 per side)



Retrofit instructions:

1. Remove wheels from chair.
 - a. If switching from Hub Lock or Drum Brake to Attendant Wheel Lock, Foot Pedal Mount (H) and Attendant Wheel Lock Mount (I) will be required. Carefully thread bolts (E) into axle plate (F) and foot pedal mount (H) until snug before tightening corresponding hardware. Item I orientation will vary depending on chair configuration. (Fig. 1)
 - b. If push-to-lock or pull-to-lock wheel locks (M) are already mounted, remove wheel lock assemblies by loosening but not removing the M8 bolts (B) and washers (C). (Fig. 1 & Fig. 2)
2. Attach cable assembly to mount using 1/4-in x 1-3/4 -in bolt (A) with nut and washers. (Fig. 1)
3. Mount the left and right Attendant Wheel Lock Assemblies (D) using bolts (B) and washers (C). Do not tighten bolts. Slide the Attendant Wheel Lock Assemblies (D) as far forward as they will go. Attach cables (G) to assemblies (D). (Fig. 1)
4. Assemble again wheels and slide the Attendant Wheel Lock Assemblies (D) rearward until the friction block of the attendant wheel lock is approximately 1/4-in (6mm) away from the tire when unlocked. Once remote locks are properly positioned, tighten bolts (B). Torque to 100in-lbs.
5. Attach cables (G) to Attendant Wheel Lock Assemblies (D) by sliding the stud at the end of the cable into the slot in the Attendant Wheel Lock Assembly. Pull back on the cable sheath and slide the end of the cable sheath into the pocket on the Attendant Wheel Lock Spacer Block as shown (Fig. 4). Ensure that the cables are routed away from all moving parts. Attach the cables into place on the chair with zip-ties provided. (Fig. 3 and Fig 4). Note: routing of cables may vary depending on configuration of chair.
6. Adjust the cable adjustment screws as necessary to ensure the wheel locks can get to their fully extended position when the pedal is engaged. Position of the Attendant Wheel Lock Assembly (D) (Fig. 1) may need to be fine-tuned to optimize the force needed to engage the pedal, depending on tire type. If excessive force is needed to engage the pedal, cable life may be reduced. Once proper adjustment is attained, lock cable adjustment screw in position by tightening jam nuts against mounting block. (Fig. 5)
7. Additional adjustment of the Attendant Wheel Lock is also possible by adjusting position of wheel lock slide blocks (K) on clamps (L). (Fig. 2)



⚠️ DEALER/TECHNICIAN WARNING

Attention dealers and qualified technicians, do not operate or service this device without first reading the owners manual. If you do not understand the instructions and warnings in the owners manual please contact the Quickie Technical Service Department before operating and/or servicing the Quickie device. Failure to do so may result in damage and/or injury.

Find more information and important warnings see the wheelchair owner's manual or at: www.SunriseMedical.com.

Sunrise Medical 2842 N. Business Park Ave Fresno, CA 93727 USA

In Canada (800) 263-3390