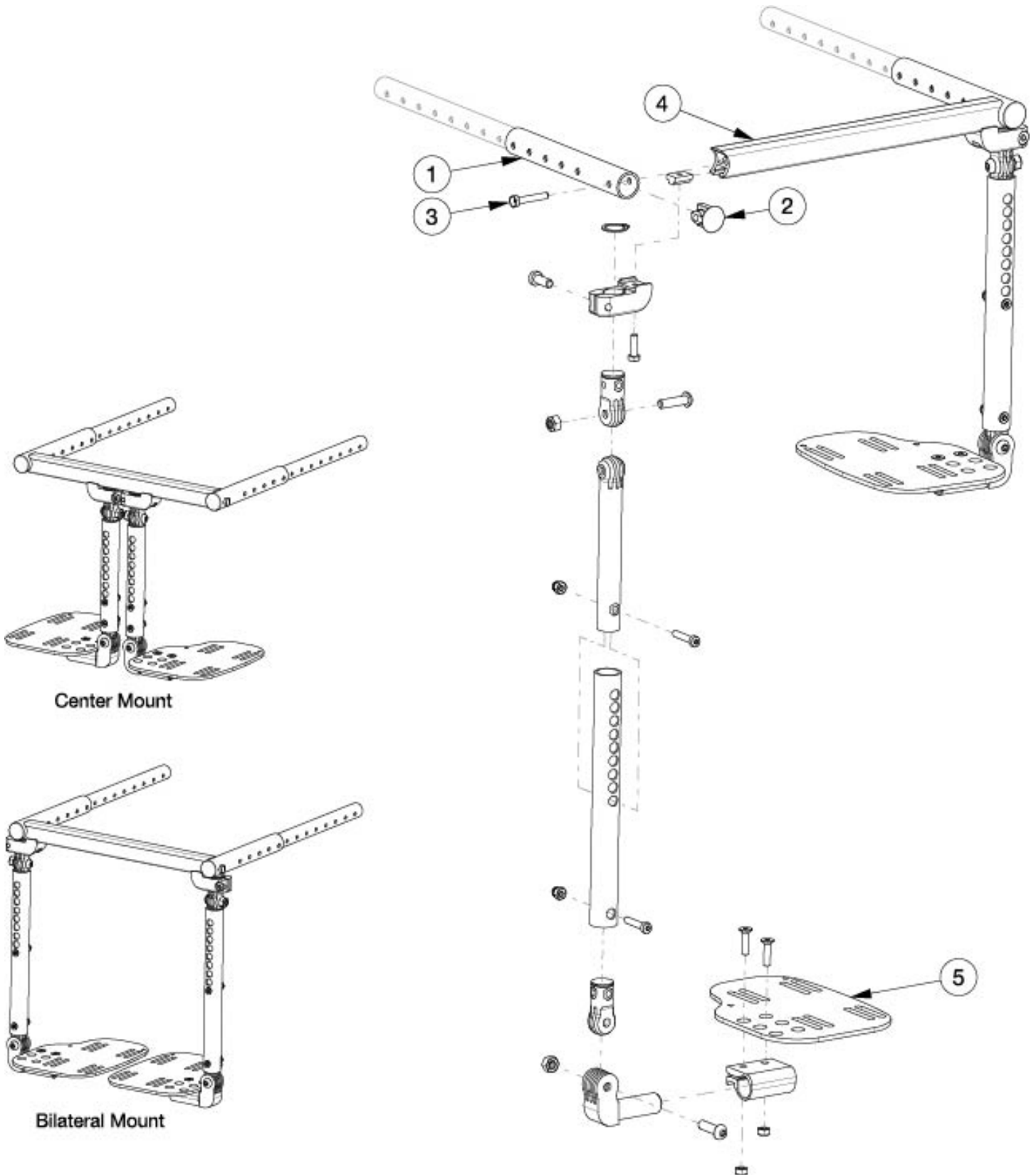


Arc Contracture Footrest - Growth



Has your width changed? Will your footplates (#5) accommodate your new width? If no, please select the appropriate footplates. New contracture mount rails are always required with any width changes. Has your depth changed? Will your existing seat tubes accommodate your new depth? If no, please select the appropriate seat tubes.

Item Number	Part Number	Description	Quantity
1a, 2, 3	113945	Seat Tube, Contracture, X-Short with Plug <i>Accommodates Depths 12-15"</i>	1
1b, 2, 3	109290	Seat Tube, Contracture, Short with Plug <i>Accommodates Depths 14-17"</i>	1
1c, 2, 3	109291	Seat Tube, Contracture, Medium with Plug <i>Accommodates Depths 16-19"</i>	1
1d, 2, 3	109292	Seat Tube, Contracture, Long with Plug <i>Accommodates Depths 18-20"</i>	1
4a	003780	Mount Rail, Contracture, 10W	1
4b	003781	Mount Rail, Contracture, 11W	1
4c	003782	Mount Rail, Contracture, 12W	1
4d	003783	Mount Rail, Contracture, 13W	1
4e	003784	Mount Rail, Contracture, 14W	1
4f	003785	Mount Rail, Contracture, 15W	1
4g	003786	Mount Rail, Contracture, 16W	1
4h	003787	Mount Rail, Contracture, 17W	1
4i	003788	Mount Rail, Contracture, 18W	1
5a	001304	Footplate Angle Adjustable 10-11" Wide CAT/TILT Left	1
5b	001305	Footplate Angle Adjustable 10-11" Wide CAT/TILT Right	1
5c	001306	Footplate Angle Adjustable 12-13" Wide CAT/TILT Left	1
5d	001307	Footplate Angle Adjustable 12-13" Wide CAT/TILT Right	1
5e	000105	Footplate Angle Adjustable 14-15" Wide CAT/TILT Left (Std ELR Right)	1
5f	000106	Footplate Angle Adjustable 14-15" Wide CAT/TILT Right (Std ELR Left)	1
5g	000107	Footplate Angle Adjustable 16-17" Wide CAT/TILT Left (Std ELR Right)	1
5h	000108	Footplate Angle Adjustable 16-17" Wide CAT/TILT Right (Std ELR Left)	1
5i	000109	Footplate Angle Adjustable 18-24" Wide CAT/TILT Left (Std ELR Right)	1
5j	000110	Footplate Angle Adjustable 18-24" Wide CAT/TILT Right (Std ELR Left)	1