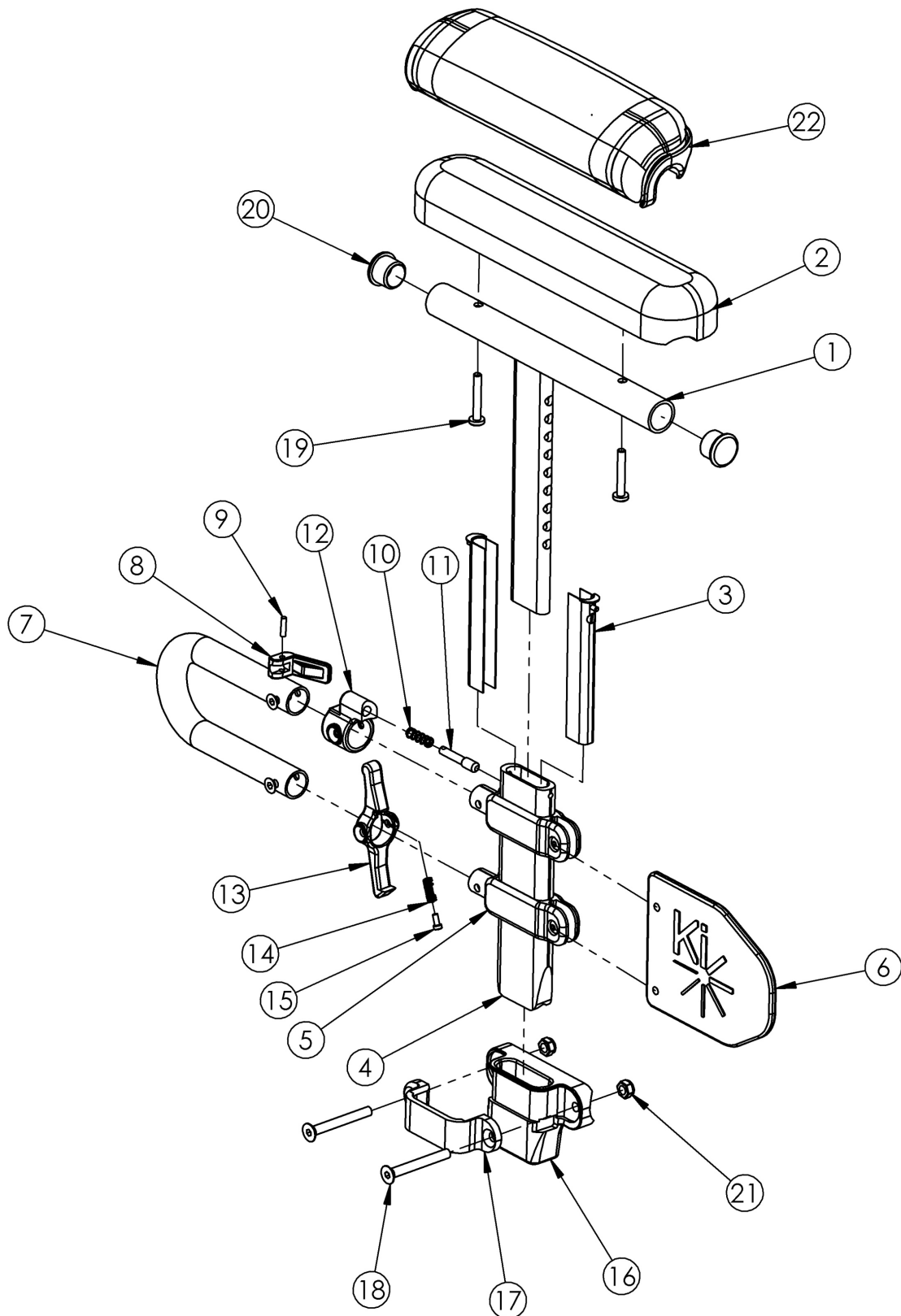


# Rigid Height Adjustable Low T-Arm



Height Adjustable Low T-Arms cannot be retrofitted

Item Number	Part Number	Description	Quantity
1a, 2b, 3-18, 19a, 20-21	121221	Height Adj T-Arm Assm Low, Desk w/ Std Pad and RG/RG ALX/LW XP Receiver PAIR	1
1a, 2b, 3-18, 19a, 20-21	113444	Height Adj T-Arm Assm Low, Desk w/ Std Pad and RG/RG ALX/LW XP Receiver	1
1a, 2b, 3-15, 19a, 20	121211	Height Adj T-Arm Assm Low, Desk w/ Std Pad and RG/RG ALX/LW XP Receiver	1
1b, 2a, 3-18, 19a, 20-21	113461	Height Adj T-Arm Assm Low, Full w/ Std Pad and RG/RG ALX/LW XP Receiver PAIR	1
1b, 2a, 3-18, 19a, 20-21	113446	Height Adj T-Arm Assm Low Full w/ Std Pad and RG/RG ALX/LW XP Receiver	1
1b, 2a, 3-15, 19a, 20	503169	Height Adjustable T-Arm Assembly Low Full w/ Std Pad	1
1a, 3-18, 19b, 20-21, 22b	121223	Height Adj T-Arm Assm Low, Desk w/ Waterfall Pad and RG/RG ALX/LW XP Receiver PAIR	1
1a, 3-18, 19b, 20-21, 22b	121212	Height Adj T-Arm Assm Low, Desk w/ Waterfall Pad and RG/RG ALX/LW XP Receiver	1
1a, 3-15, 19b, 20, 23b	121243	Height Adjustable T-Arm Assembly Low, Desk w/ Waterfall Pad	1
1b, 3-18, 19b, 20-21, 22a	113463	Height Adj T-Arm Assm Low, Full w/ Waterfall Pad and RG/RG ALX/LW XP Receiver PAIR	1
1b, 3-18, 19b, 20-21, 22a	113449	Height Adj T-Arm Assm Low Full w/ Waterfall Pad and RG/RG ALX/LW XP Receiver	1
1b, 3-15, 19b, 20, 23a	503185	Height Adjustable T-Arm Assembly Low Full w/ Waterfall Pad	1
1a, 3-15, 20	114488	Height Adjustable T-Arm, Desk, Low	1
1b, 3-15, 20	002683	Arm T Height Adjustable Low, Full Right Assembly	1
1b, 3-15, 20	114489	Height Adjustable T-Arm, Full, Low <i>Replaced 002683 / 002684</i>	1
1a, 20	002648	Post Weldment, T-Arm, Low, Desk	1
1b, 20	002649	Post Weldment, T-Arm, Low, Full	1
2a	100500	Arm Pad Full	1
2b	100501	Arm Pad Desk	1
3	000090	Height Adjustable T Armrest Shim	2
4	002105	Tube, Outer, T-Arm, Low	1
7	002104	Transfer Tube, T-Arm, Low	1
9	200257	Dowel Pin 1/8 x 1/2	1
10	000134	Height Adjustable Armrest Lever Spring	1
11	000099	Height Adjustable Armrest Lever Pin	1

Item Number	Part Number	Description	Quantity
12	000096	Height Adjustable T Armrest Pin Lock Housing	1
8-12	500541	Arm Height Adjustable T Upper Lever Assembly	1
13	002106	Lever, T-Arm, Low	1
14	000135	Height Adjustable T Armrest Release Lever Spring	1
15	000152	Height Adjustable T Armrest Release Spring Button	1
16	004578	Height Adjustable T-Arm Receiver 1.375"	1
17	000088	Height Adjustable T Armrest Bracket	1
18	101130	M6 x 55 FSHCS P/THD BLKZC	2
16-18, 21	501731	Height Adj T-Arm Receiver Assembly 1-3/8", RG ALX/LW XP	1
19a	100696	M5 x 30mm PPH Capscrew <i>Used with Standard Arm Pads</i>	2
19b	100654	M5 x 40 DIN7985 PH Pan HD M/S ZC <i>Used with Waterfall Arm Pads</i>	2
20	100803	Tube End Plug 7/8"	2
21	100658	M6 Nylock Nut Blk Zn	2
22a	102452	Waterfall Arm Pad Full	1
22b	102521	Waterfall Arm Pad Desk	1