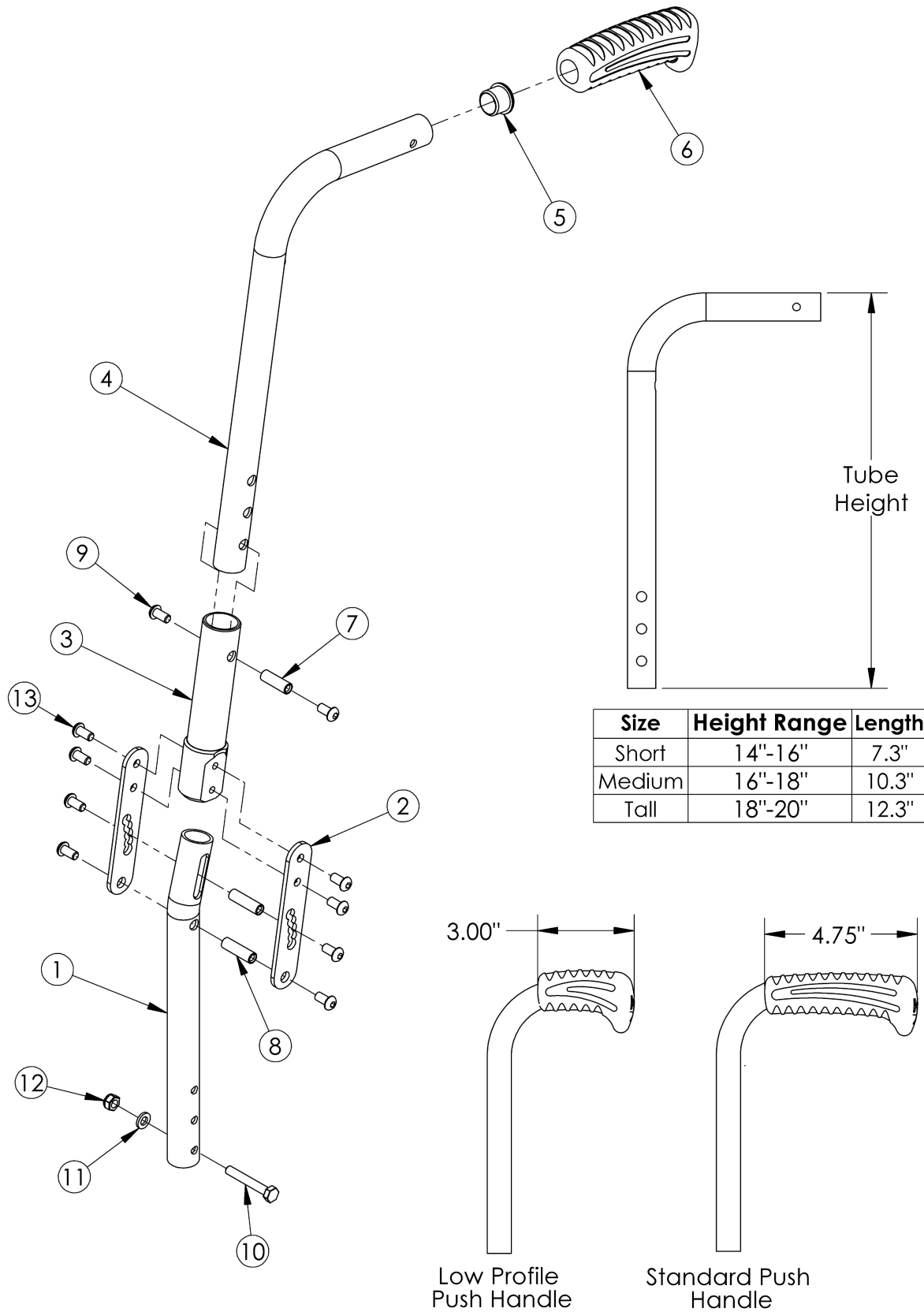


# Catalyst Angle Adjustable Backrest



Low Profile Push Handles are not available with Heavy Duty Option or Drum Brake If changing from another style backrest and the Drum Brake is present, a new Drum Brake Cable Kit may be If Anti-Rollback is present, see Back Tubes for Anti-Rollback System

Item Number	Part Number	Description	Quantity
1 - 3, 7 - 13	500031	Angle Adjustable Back Post Lower Assembly, Catalyst	1
4a, 5, 6a	500032	Angle Adjustable Back Post Short Upper Assembly with Standard Push Handle <i>Used if drum brake is not present</i>	1
4b, 5, 6a	500033	Angle Adjustable Back Post Medium Upper Assembly with Standard Push Handle <i>Used if drum brake is not present</i>	1
4c, 5, 6a	500034	Angle Adjustable Back Post Tall Upper Assembly with Standard Push Handle <i>Used if drum brake is not present</i>	1
4d, 5, 6a	113315	Backtube Angle Adjustable Upper w/ Push Handle Short with Backcane Extension, Catalyst <i>Used if drum brake is present. To view the backcane extension included in this kit, see the Catalyst 5 or Catalyst 5VX Drum Brake page</i>	1
4e, 5, 6a	113308	Backtube Angle Adjustable Upper w/ Push Handle Medium with Backcane Extension, Catalyst <i>Used if drum brake is present. To view the backcane extension included in this kit, see the Catalyst 5 or Catalyst 5VX Drum Brake page</i>	1
4f, 5, 6a	113309	Backtube Angle Adjustable Upper w/ Push Handle Tall with Backcane Extension, Catalyst <i>Used if drum brake is present. To view the backcane extension included in this kit, see the Catalyst 5 or Catalyst 5VX Drum Brake page</i>	1
4a, 5, 6b	002755	Angle Adjustable Back Post Short Upper Assembly with Low Profile Push Handle	1
4b, 5, 6b	002756	Angle Adjustable Back Post Medium Upper Assembly with Low Profile Push Handle	1
4c, 5, 6b	002757	Angle Adjustable Back Post Tall Upper Assembly with Low Profile Push Handle	1
1	000146	Angle Adjustable Backrest Tube Lower CAT	1
2	000148	Angle Adjustable Backrest Mounting Plate CAT	2
3	000147	Angle Adjustable Backrest Housing CAT	1
5	100803	Tube End Plug 7/8"	1
6a	109433	Ergo Push Handle Grip 7/8" Standard with Instruction	1
6b	109431	Ergo Push Handle Grip 7/8" Low Profile with Instruction	1
7	000065	M6 x 23.68 Threaded Barrel	1
8	000066	M6 x 27 Threaded Barrel	2
9	101184	M6 x 10 BTN SHCS BLKZC w/Patch	2
10	100681	M6 x 40 CLS8.8 DIN931 HHCS ZC	1

<b>Item Number</b>	<b>Part Number</b>	<b>Description</b>	<b>Quantity</b>
11	100746	M6 Flat Washer Blk Zn	1
12	100658	M6 Nylock Nut Blk Zn	1
13	100667	M6 x 12 BTN SHCS BLKZC w/Patch	8