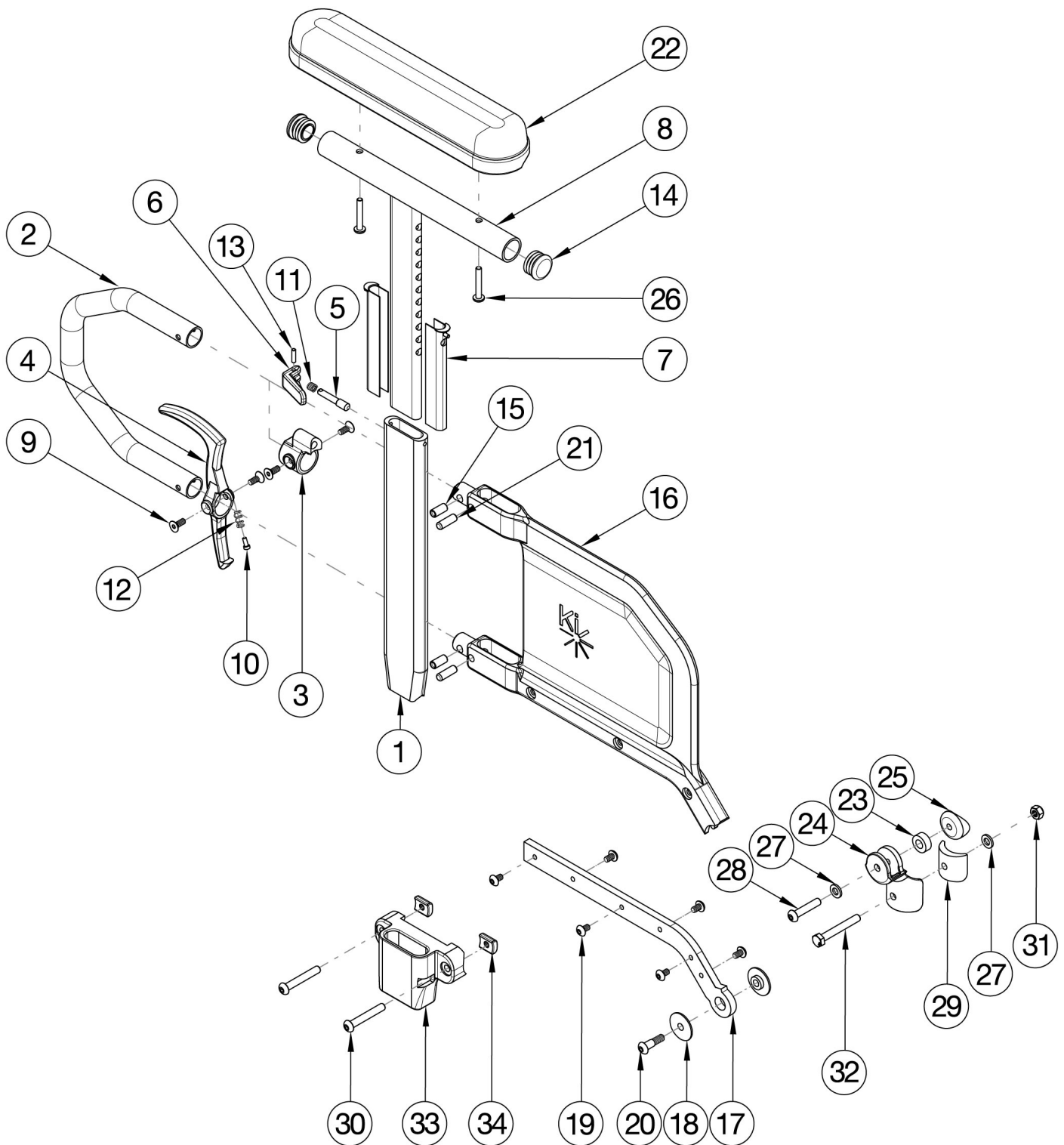


# Catalyst E Armrests - Tall Height Adjustable Flip Back T-Arm



Short assemblies used with 14" - 16" Seat Depths. Long assemblies used with 17" - 20" Seat Depths.

Item Number	Part Number	Description	Quantity
1-7, 8a, 9-15, 16a, 17a, 18-21, 22b, 24-26, 30-35	116560	Height Adjustable Flip Back Tall T-Arm Short Desk with Standard Pad and Receiver Assembly, Catalyst E	1
1-7, 8b, 9-15, 16a, 17a, 18-21, 22a, 24-26, 30-35	116561	Height Adjustable Flip Back Tall T-Arm Short Full with Standard Pad and Receiver Assembly, Catalyst E	1
1-7, 8a, 9-15, 16b, 17b, 18-21, 22b, 24-26, 30-35	116562	Height Adjustable Flip Back Tall T-Arm Long Desk with Standard Pad and Receiver Assembly, Catalyst E	1
1-7, 8b, 9-15, 16b, 17b, 18-21, 22a, 24-26, 30-35	116563	Height Adjustable Flip Back Tall T-Arm Long Full with Standard Pad and Receiver Assembly, Catalyst E	1
1-7, 8a, 9-15, 16a, 17a, 18-21, 22b, 24-26, 31, 32	116556	Height Adjustable Flip Back Tall T-Arm Short Desk with Standard Pad Assembly, Catalyst E	1
1-7, 8b, 9-15, 16a, 17a, 18-21, 22a, 24-26, 31, 32	116557	Height Adjustable Flip Back Tall T-Arm Short Full with Standard Pad Assembly, Catalyst E	1
1-7, 8a, 9-15, 16b, 17b, 18-21, 22b, 24-26, 31, 32	116558	Height Adjustable Flip Back Tall T-Arm Long Desk with Standard Pad Assembly, Catalyst E	1
1-7, 8b, 9-15, 16b, 17b, 18-21, 22a, 24-26, 31, 32	116559	Height Adjustable Flip Back Tall T-Arm Long Full with Standard Pad Assembly, Catalyst E	1
1-7, 9-13, 15, 16a, 17a, 19, 21	114152	Height Adjustable Flip Back T-Arm Short Lower Assy, Tall <i>Does not include t-arm upper, arm pad or arm pad screws</i>	1
1-7, 9-13, 15, 16b, 17b, 19, 21	114153	Height Adjustable Flip Back T-Arm Long Lower Assy, Tall <i>Does not include t-arm upper, arm pad or arm pad screws</i>	1
1-7, 8a, 9-15, 16a, 17a, 19, 21	114436	Height Adjustable Flip Back T-Arm Desk, Short, Tall <i>Does not include arm pad or arm pad screws</i>	1
1-7, 8b, 9-15, 16a, 17a, 19, 21	114437	Height Adjustable Flip Back T-Arm Short, Full, Tall <i>Does not include arm pad or arm pad screws</i>	1
1-7, 8a, 9-15, 16b, 17b, 19, 21	114438	Height Adjustable Flip Back T-Arm Long, Desk, Tall <i>Does not include arm pad or arm pad screws</i>	1
1-7, 8b, 9-15, 16b, 17b, 19, 21	114439	Height Adjustable Flip Back T-Arm Long, Full, Tall <i>Does not include arm pad or arm pad screws</i>	1

Item Number	Part Number	Description	Quantity
1-7, 9-13, 15, 16a, 17a, 18-21, 24, 25, 31, 32	504567	Height Adjustable Flip Back T-Arm Short Retrofit Assembly, Catalyst 5  <i>This kit is used to retrofit from a Height Adjustable T-Arm to a Height Adjustable Flip Back Tall T-Arm. This kit is to retrofit one side.</i>	1
1-7, 9-13, 15, 16b, 17b, 18-21, 24, 25, 31, 32	504568	Height Adjustable Flip Back T-Arm Long Retrofit Assembly, Catalyst 5  <i>This kit is used to retro fit from a Height Adjustable T-Arm to a Height Adjustable Flip Back Tall T-Arm. This kit is to retrofit one side.</i>	1
18, 20, 24, 25	112958	Armrest Flip Back Height Adj T-Arm Hinge Assembly, PAIR, Catalyst 5  <i>This kit is for a pair of hinge assemblies. A pair is required as a replacement as of May 19th, 2021</i>	1
30, 33-34	116058	Height Adjustable Flip Back Receiver Assm Cat E	1
31, 32	504577	Height Adjustable Flip Back T-Arm Mounting Hardware Assembly  <i>This kit contains various mounting hardware for multiple configurations</i>	1
3, 5, 6, 9, 11, 13	504560	Height Adjustable Flip Back T-Arm Latch Assembly	1
4, 9, 10, 12	504561	Height Adjustable Flip Back T-Arm Release Lever Assembly	1
1	115983	Height Adjustable Flip Back T-Arm Post Tall	1
2	113138	Height Adjustable T-Arm Transfer Tube, Tall	1
7	000090	Height Adjustable T Armrest Shim	2
8a, 14	116564	Height Adj Tall T Armrest Upper Desk w/ Tube End Plug	1
8b, 14	116565	Height Adj T Armrest Upper Full w/ Tube End Plug	1
14	100803	Tube End Plug 7/8"	2
15, 16a, 21	113143	Height Adjustable Flip Back T-Arm Short Shield, Tall	1
15, 16b, 21	113142	Height Adjustable Flip Back T-Arm Long Side Shield, Tall	1
17a, 19	504564	Height Adjustable Flip Back T-Arm Metal Insert Short	1
17b, 19	504565	Height Adjustable Flip Back T-Arm Metal Insert Long	1
22a	100500	Arm Pad Full	1
22b	100501	Arm Pad Desk	1
23	003261	Spacer, .62ODx.316IDx.250L	2
26	100696	M5 x 30mm PPH Capscrew	2

Item Number	Part Number	Description	Quantity
27	100746	M6 Flat Washer Blk Zn	2
28	102625	M6 X 30 BHCS BLK ZC	1
29	111976	Flip Back T-Arm Spacer, Catalyst E	1
30	100797	M6 x 40 BHCS BLK ZC	2
33	112010	T-Arm Receiver	1
34	111954	Threaded Half Nut Plate	1
35	100831	1/2" Washer OD .040" Thick	1