

Quickie® SR45

- with transit option without transit option

Supplier: This manual must be given to the user of this wheelchair.

User: Before using this wheelchair read this entire manual and save for future reference.

Distribuidor: Este manual debe ser entregado al pasajero de esta silla de ruedas.

Pasajero: Antes de usar esta silla de ruedas, lea este manual en su totalidad y guárdelo para futura referencia.

Cada una de las sillas se envía con un manual de instrucciones en inglés. El manual en español o francés está disponible en formato PDF en nuestra página en Internet: www.SunriseMedical.com. Ingrese a la página del producto específico para descargar el manual, o comuníquese con el proveedor autorizado de Sunrise Medical.

Fournisseur: Ce manuel doit être remis à l'utilisateur / utilisatrice de ce fauteuil roulant.

Utilisateur / Utilisatrice: Avant d'utiliser ce fauteuil roulant, lisez entièrement ce manuel et conservez le pour le consulter ultérieurement.

Chaque fauteuil est livré avec un manuel d'instructions en anglais. Les versions en espagnol et en français sont à votre disposition en format PDF sur le site: www.SunriseMedical.com. Veuillez vous rendre à la page de votre produit pour télécharger le manuel dans la langue souhaitée, ou contactez un fournisseur agréé Sunrise Medical.

Rivenditore : Il presente manuale va consegnato all'utente della carrozzina.

Utente : Prima di usare la carrozzina, leggere il presente manuale per intero e conservarlo per riferimento futuro.

Ogni carrozzina è accompagnata da un manuale d'uso scritto in inglese. La versione tradotta è reperibile nel formato PDF sul nostro sito web: www.SunriseMedical.com. Visitare la pagina del prodotto specifico da scaricare, o contattare il fornitore Sunrise Medical autorizzato.

Fachhändler : Dieses Handbuch muss dem Benutzer des Rollstuhls ausgehändigt werden.

Benutzer : Vor dem Gebrauch des Rollstuhls lesen Sie bitte das gesamte Handbuch, und bewahren Sie es für zukünftigen Bedarf auf.

Zum Lieferumfang jedes Rollstuhls gehört ein Bedienungshandbuch in englischer Sprache. Diese übersetzte Version des Handbuchs steht im PDF-Format auf unserer Website zur Verfügung: www.SunriseMedical.com. Gehen Sie bitte zu der betreffenden Produktsite für den Download der übersetzten Version oder wenden Sie sich an Ihren autorisierten Sunrise Medical Fachhändler.

Owner's Manual

Manual de Instrucciones

Mode d'emploi

Manuale d'uso

Benutzeranweisungen



SUNRISE MEDICAL LISTENS

Thank you for choosing a Quickie SR45 tilt in space wheelchair. We want to hear your questions or comments about this manual, the safety and reliability of your chair, and the service you receive from your Sunrise supplier. Please feel free to write or call us at the address and telephone number below:

SUNRISE MEDICAL

Customer Service Department
2842 Business Park Avenue
Fresno, CA 93727
(800) 333-4000

Be sure to return your warranty card, and let us know if you change your address. This will allow us to keep you up to date with information about safety, new products and options to increase your use and enjoyment of the wheelchair. If you lose your warranty card, call or write and we will gladly send you a new one.

FOR ANSWERS TO YOUR QUESTIONS

Your authorized supplier knows your wheelchair best, and can answer most of your questions about chair safety, use and maintenance. For future reference, fill in the following:

Supplier: _____

Address: _____

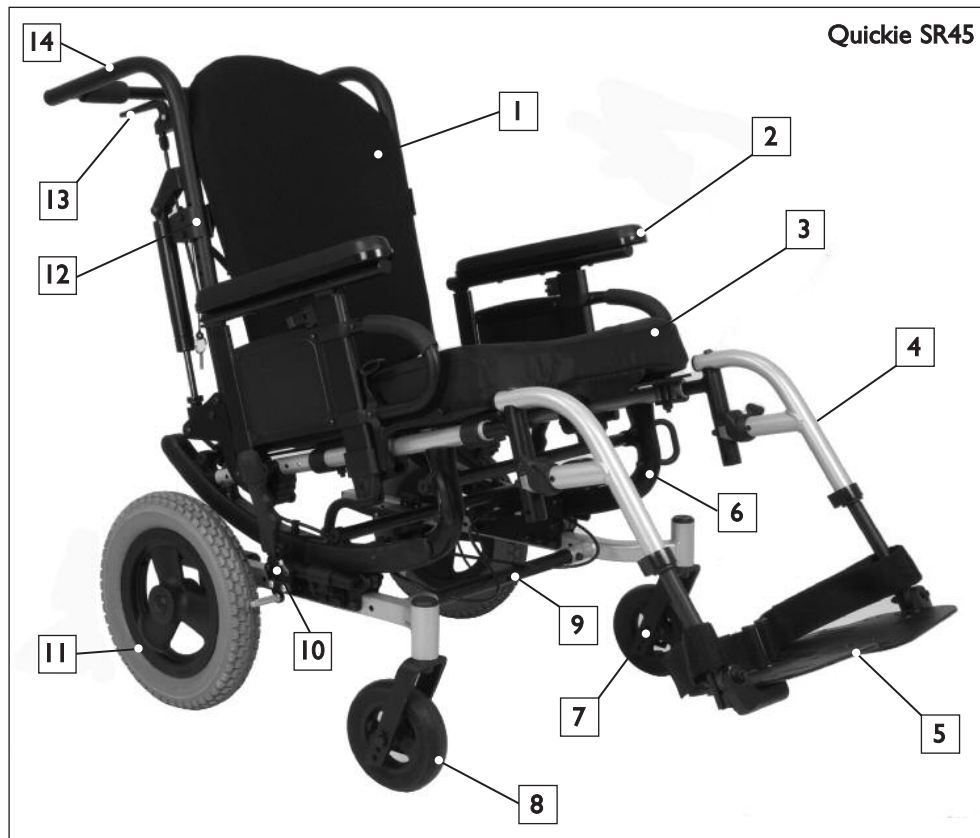
Telephone: _____

Serial #: _____ Date/Purchased: _____

ADDITIONAL INFORMATION YOU SHOULD KNOW

No component of this chair was made with Natural Rubber Latex.

I. I	RODUCTION	2
II.	TABLE OF CONT S.....	3
III.	R CHAIR AND ITS PARTS.....	4
IV.	NOTIC READ BEFORE USE	4
V.	GE RAL WARNINGS	5
	A. Weight limits.....	5
	B. Intended Use.....	5
	C. Attendants and Caregivers.....	5
	D. Accessories	
	E. Know your Chair.....	5
	F. Reduce the risk of an Accident.....	5
	G. Safety Checklist.....	5
	H. Changes and Adjustments.....	5
	I. Environmental Conditions.....	6
	J. Terrain.....	6
	K. Street Use	6
	L. Motor Vehicle Safety.....	6
	M. When you need help	6
VI.	SAFETY WARNINGS: FALLS & TIP-OVERS.....	7
	A. Center of Balance.....	7
	B. Dressing or Changing Clothes	7
	C. Obstacles	7
	D. Front Caster Lift.....	7
	E. Reaching or Leaning.....	7
	F. Moving Backward.....	7
	G. Escalators.....	8
	H. Ramps, Slopes, and Sidehills.....	8
	I. Transfer	8
	J. Curbs and Single Steps	9
	K. Climbing a Curb or Single Step.....	9
	L. Descending a Curb or Single Step	9
	M. Stairs.....	10
	N. Climbing Stairs.....	10
	O. Descending Stairs	10
	P. Tilt Use	10
VII.	RNINGS: COMPONENTS & OPTIONS.....	11
	A. Anti-tip Tubes	11
	B. Armrests.....	11
	C. Push Handles	11
	D. Stroller Handle.....	11
	E. Cushions.....	11
	F. Fasteners	11
	G. Footrests.....	11
	H. Pneumatic Tires.....	11
	I. Positioning Belts.....	12
	J. Quick Release Axle.....	12
	K. Rear Axles.....	12
	L. Rear Wheel Locks	12
	M. Modified Seat Systems.....	12
VIII.	SE AND MAINTENANCE	13
	A. Introduction	13
	B. Critical Maintenance Tips	13
	C. Maintenance Chart.....	13
	D. Cleaning.....	13
	E. Troubleshooting Chart.....	13
	F. To Mount and Remove Rear Wheels	14
	G. Cushion Installation	14
	H. Wheel Locks.....	14
	I. Anti-Tip Tubes-Rear	14
	J. Dual-Post Armrests	15
	K. Height-Adjustable Armrests.....	15
	L. Swing-away Hangers/Footrests.....	16
	M. Articulating Legrest.....	16
	N. Elevating Legrest.....	16
	O. Tilt-in-Space Mechanism	17
	P. Stroller Handle Extension	17
	Q. Reclining Back	17
	R. Check-out	17
IX.	DE R SERVICE & ADJUSTMENT.....	18
	A. Dealer Service Introduction	18
	B. Critical Maintenance Tips	18
	C. Cleaning.....	18
	D. Rear Axle.....	18
	E. Wheel Locks	19
	F. Single-Post Armrest Receiver	19
	G. Swing-Away Height Adjustment.....	19
	H. Footplate Adapter Bracket.....	20
	I. Elevating /Articulating Legrest.....	20
	J. Tilt-in-space Mechanism	21
	K. Backrest and Stroller Handle	21
	L. Caster/Fork Assembly	22
	M. Frame Depth	22
	N. Frame Width.....	23
	O. Seat Pan	23
	P. Carriage	24
	Q. Attendant Wheel Lock Installation	25
	R. Lap Belt Instructions.....	26
	S. Check-Out.....	26
	T. Limb Support.....	26
X.	SUNRISE LIMITED WARRANTY	27



1. Contour back (Optional)
2. Dual Post Armrest
3. Cushion (Optional)
4. Footrest Hanger
5. Footplate
6. Carriage
7. Caster fork
8. Caster tire
9. Adjustable Strut Tube
10. Wheel Lock
11. 12" Rear wheel
12. Back Cane
13. Tilt Lever
14. Push handle

NOTE– Not all options are available on both the Quickie SR45. Please refer to the order form for specific option availability.

IV. NOTICE– READ BEFORE USE

A. CHOOSE THE RIGHT CHAIR & SAFETY OPTIONS

Sunrise provides a choice of many wheelchair styles to meet your needs. This product is intended for single person use only. Final selection of the type of wheelchair, options and adjustments rests solely with you and your health care professional. Choosing the best chair and set-up for your safety depends on such things as:

1. Your disability, strength, balance and coordination.
2. The types of hazards you must overcome in daily use (where you live and work, and other places you are likely to use your chair).
3. The need for options that will improve your positioning, safety and comfort (such as anti-tip tubes, positioning belts, or special seating systems).

B. REVIEW THIS MANUAL OFTEN

Before using this chair you, and each person who may assist you, should read this entire manual and make sure to follow all instructions. Review the warnings often, until they are second nature to you.

C. WARNINGS

The word “**WARNING**” refers to a hazard or unsafe practice that may cause **severe injury or death** to you or to other persons. The “Warnings” are in Three main sections, as follows:

1. V– GENERAL WARNINGS

Here you will find a safety checklist and a summary of risks you need to be aware of before you ride this chair.

2. VI– SAFETY WARNINGS: FALLS & TIP-OVERS

Here you will learn about practices for the safe use of your chair, and how to avoid a fall or tip-over while you perform daily activities in your chair.

3. VII– WARNINGS– COMPONENTS & OPTIONS

Here you will learn about the components of your chair and options you can select for safety. Consult your Premium Retailer and your health care advisor to help you choose the best set-up and options for safe use.

NOTE– Where they apply, you will also find “Warnings” in other sections of this manual. Heed all warnings in this section. If you fail to do so a fall, tip-over or loss of control may occur and cause severe injury to the rider or others.

A. WEIGHT LIMITS**⚠ WARNING**

NEVER exceed the weight limit specified by Sunrise Medical. The weight capacity provided by your manufacturer is for the combined weight of a rider and items carried using on-board storage. If you do exceed the weight limit, damage to your chair, a fall, tip-over or loss of control may occur and cause severe injury to the rider or others.

Weight Capacities

Quickie SR45 - 265lbs/(120Kg).

B. INTENDED USE

The Quickie SR45 Series of wheelchair's intended use is to provide mobility to persons limited to a sitting position.

⚠ WARNING

DO NOT use this device for purposes other than what is intended by the manufacturer

1. The wheelchair is not designed for weight training and is unsafe for use as a seat while weight training. Weight training from the wheelchair substantially changes the stability of the chair and may cause tipping.
2. DO NOT stand on the frame of the wheelchair.
3. NEVER allow someone to stand on your chair or use it as a step ladder.
4. This chair is designed for a single rider only.
5. Unauthorized modifications and use of parts or accessories not supplied or approved by Sunrise Medical may change the chair structure. This will void the warranty and may cause a safety hazard. If the warning is ignored, damage to your chair, and the potential severe injury of the person using the chair for unintended purposes can occur.

C. ATTENDANTS AND CAREGIVERS**⚠ WARNING**

Before you assist a rider, be sure to read all warnings contained in this manual, and follow all instructions that apply. Be aware that after consulting a healthcare advisor, you will need to learn safe and proven body mechanics to use and create assistive methods best suited to your abilities.

D. ACCESSORIES**⚠ WARNING**

Unauthorized modifications or use of parts, or accessories not supplied or approved by Sunrise Medical may change the chair structure. This will void the warranty and may cause a safety hazard.

Some problems that may occur, but are not limited to:

1. Incorrect Wheels and/or tires that put the rider at risk of a fall or tip-over.
2. Adding a component to the frame, changing the structural integrity of the chair.
3. Any modification or disassembly can potentially create an unsafe situation where rider and/or attendant are put at risk.

E. KNOW YOUR CHAIR**⚠ WARNING**

Every wheelchair is different. Take the time to learn the feel of this chair before you begin riding. Start slowly, with easy, smooth strokes. If you are used to a different chair, you may use too much force and tip over. If you use too much force, damage to your chair, a fall, tip-over or loss of control may occur and cause severe injury to the rider or others.

F. REDUCE THE RISK OF AN ACCIDENT**⚠ WARNING**

1. BEFORE riding, you should be trained in the safe use of this chair by your health care advisor.
2. Practice bending, reaching and transfers until you know the limit of your ability. Have someone help you until you know what can cause a fall or tip-over and how to avoid doing so.
3. Be aware that you must develop your own methods for safe use best suited to your level of function and ability.
4. NEVER try a new maneuver on your own until you are sure you can do it safely.
5. Get to know the areas where you plan to use your chair. Look for hazards and learn how to avoid them.
6. Sunrise recommends using anti-tip tubes in every circumstance.

If you fail to heed these warnings, damage to your chair, a fall, tip-over or loss of control may occur and cause severe injury to the rider or others.

G. SAFETY CHECKLIST**⚠ WARNING****Before Each Use Of Your Chair:**

1. Make sure the chair rolls easily and that all parts work smoothly. Check for noise, vibration, or a change in ease of use. (They may indicate low tire pressure, loose fasteners, or damage to your chair).
2. Immediately repair any problem. Your authorized supplier can help you find and correct the problem.
3. Check to see that both quick-release rear axles are locked. When locked, the axle button will "pop out" fully. If not locked, the wheel may come off and cause you to fall.
4. If your chair has anti-tip tubes, lock them in place.

If you fail to heed these warnings, damage to your chair, a fall, tip-over or loss of control may occur and cause severe injury to the rider or others.

H. CHANGES & ADJUSTMENTS**⚠ WARNING**

1. See your healthcare advisor and have them adjust seating components any time a change or adjustment needs to be made.
2. Unauthorized modifications or use of parts not supplied or approved by Sunrise may change the chair structure. This will void the warranty and may cause a safety hazard.

If you fail to heed these warnings, damage to your chair, a fall, tip-over or loss of control may occur and cause severe injury to the rider or others.

I. ENVIRONMENTAL CONDITIONS

⚠ WARNING

1. Use extra care if you must ride your chair on a wet or slick surface. If you are in doubt, ask for help.
2. Contact with water or excess moisture may cause your chair to rust or corrode. Avoid all extreme weather situations if possible.
 - a. Do not use your chair in a shower, pool or other body of water. The chair tubing and parts are not water-tight and may rust or corrode from the inside.
 - b. Avoid excess moisture (for example, do not leave your chair in a damp bathroom while taking a shower).
 - c. Dry your chair as soon as you can if it gets wet, or if you use water to clean it.



J. TERRAIN

⚠ WARNING

1. Based on ANSI/RESNA testing, Sunrise Medical recommends the use of a caster wheel with a minimum diameter of 5", if the wheelchair will be overcoming obstacles up to 1/2" on a regular basis.
2. Your chair is designed for use on firm, even surfaces such as concrete, asphalt, indoor flooring, and carpets.
3. Do not operate your chair in sand, loose soil, or over rocky terrain.
4. If you use your chair on terrain that is rougher than described above there is a danger that screws and bolts will loosen prematurely, and that damage to wheels or axles could put the rider at risk of a fall, tip-over, or loss of control.

If you fail to heed these warnings, damage to your chair, a fall, tip-over or loss of control may occur and cause severe injury to the rider or others.

K. STREET USE

⚠ WARNING

1. This product is not intended for street use.
2. Avoid streets whenever possible.
3. Obey and follow all legal pedestrian pathways, and laws that apply to pedestrians.
4. Be alert to the danger of motor vehicles in parking lots, or if you must cross a road.

If you fail to heed these warnings, damage to your chair, a fall, tip-over or loss of control may occur and cause severe injury to the rider or others.

L. MOTOR VEHICLE SAFETY 1 2

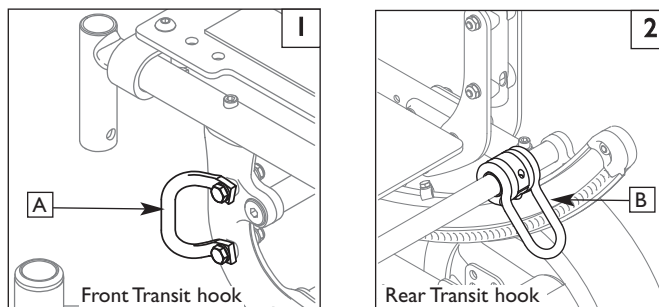
If possible and feasible, the rider should transfer to the Original Equipment Manufacturer vehicle seat and use the OEM vehicle restraint.

Sunrise Medical does provide a WC-19 Wheelchair Tie-Down and Occupant Restraint System, otherwise called a Transit Option. To identify whether your wheelchair has been manufactured with the Transit Option installed, look for four points of securement. Two Front points (A), and two rear points (B). These points are recognized by the securement point decal which can be found on or near the securement points. If your wheelchair is equipped with the Transit Option please review the Transit Securement supplement that was provided with the wheelchair for additional information and instructions. You can request a copy from your authorized supplier, or Sunrise medical at 1-800-333-4000 if you don't have it.

⚠ WARNING

If your chair is **NOT** equipped with the Transit Option:

1. NEVER let anyone sit in this chair while in a moving vehicle.
 - a. ALWAYS move the rider to an approved vehicle seat.
 - b. ALWAYS secure the rider with proper motor vehicle restraints.
2. In an accident or sudden stop the rider may be thrown from the chair. Wheelchair seat belts will not prevent this, and further injury may result from the belts or straps.
3. NEVER transport this chair in the front seat of a vehicle. It may shift and interfere with the driver.
4. ALWAYS secure this chair so that it cannot roll or shift.
5. Do not use any chair that has been involved in a motor vehicle accident. The frame and/or components may have been changed due to the accident. Such items could be, but are not limited to: bent, loosened, and/or broken components that were subjected to an impact.



Look for this symbol on your wheelchair. It indicates wheelchair securement points which conform to ANSI/RESNA (1998) V.1- Section 19.

M. WHEN YOU NEED HELP

⚠ WARNING

For The Rider: Make sure that each person who helps you reads and follows all warnings and instructions that apply.

For Attendants:

1. Work with the rider's doctor, nurse or therapist to learn safe methods best suited to your abilities and those of the rider.
2. Tell the rider what you plan to do, and explain what you expect the rider to do. This will put the rider at ease and reduce the risk of an accident.
3. Make sure the chair has push handles. They provide secure points for you to hold the rear of the chair to prevent a fall or tip-over. Check to make sure push handle grips will not rotate or slip off.
4. To prevent injury to your back, use good posture and proper body mechanics. When you lift or support the rider or tilt the chair, bend your knees slightly and keep your back as upright and straight as you can.
5. Remind the rider to lean back when you tilt the chair backward.
6. When you descend a curb or single step, slowly lower the chair in one easy movement. Do not let the chair drop the last few inches to the ground. This may damage the chair or injure the rider.
7. To avoid tipping, or getting hung up on objects, unlock and rotate anti-tip tubes up, and out of the way.
8. Whenever you aren't attending the wheelchair, ALWAYS use the wheel-lock to secure the rear wheels, and lock anti-tip tubes in place if you must leave the rider alone, even for a moment. This will reduce the risk of a tip over or loss of control of the chair.

If you fail to heed these warnings, damage to your chair, a fall, tip-over or loss of control may occur and cause severe injury to the rider or others.

A. CENTER OF BALANCE

WARNING

The point where this chair will tip forward, back, or to the side depends on its center of gravity and stability. How your chair is set up, the options you select and the changes you make may affect the risk of a fall or tip-over.

1. **The Most Important Adjustment is:**
 - a. The position of the rear wheels. The more you move the rear wheels forward, the more likely your chair will tip over backward.
 - b. The position of the carriage.
2. **The Center of Balance is also Affected by:**
 - a. A change in the set-up of your chair, including:
 - The seat height and seat angle.
 - Backrest angle.
 - b. A change in your body position, posture or weight distribution.
 - c. Riding your chair on a ramp or slope.
 - d. The use of a back pack or other options, and the location and amount of added weight can change the balance of your chair,
3. **To Reduce The Risk Of An Accident:**
 - a. Consult your doctor, nurse or therapist to find out what axle and caster position is best for you.
 - b. Consult your authorized dealer, BEFORE you modify or adjust this chair. Be aware that you may need to make other changes to correct the center of balance.
 - c. Have someone help you until you know the balance points of your chair and how to avoid a tip-over.
 - d. Use anti-tip tubes.

If you fail to heed these warnings, damage to your chair, a fall, tip-over or loss of control may occur and cause severe injury to the rider or others.

B. DRESSING OR CHANGING CLOTHES

WARNING

Your weight may shift if you dress or change clothes while seated in this chair.

To reduce the risk of a fall or tip-over:

1. Rotate the front casters until they are as far forward as possible. This makes the chair more stable.
2. Lock anti-tip tubes in place. (If your chair does not have anti-tip tubes, back it up against a wall and lock both rear wheels).

If you fail to heed these warnings, damage to your chair, a fall, tip-over or loss of control may occur and cause severe injury to the rider or others.

C. OBSTACLES

WARNING

Riding over curbs or obstacles can cause tipping and serious bodily harm. If you have any doubt that you can safely cross any curb or obstacle, ALWAYS ASK FOR HELP. Be aware of your riding skills and personal limitations. Develop new skills only with the help of a companion.

To avoid the risk of traversing obstacles:

1. Keep a lookout for danger – scan the area well ahead of your chair as you ride.
2. Make sure the floor areas where you live and work are level and free of obstacles.
3. Remove or cover threshold strips between rooms.
4. Install a ramp at entry or exit doors. Make sure there is not a drop off at the bottom of the ramp.
5. To Help Correct Your Center Of Balance:
 - a. Lean your upper body FORWARD slightly as you go UP over an obstacle.
 - b. Press your upper body BACKWARD as you go DOWN from a higher to a lower level.

6. If your chair has anti-tip tubes, do not go over an obstacle without help.
7. Keep both of your hands on the handrims as you go over an obstacle.
8. Never push or pull on an object (such as furniture or a doorjamb) to propel your chair.

If you fail to heed these warnings, damage to your chair, a fall, tip-over or loss of control may occur and cause severe injury to the rider or others.

D. FRONT CASTER LIFT

WARNING

Front caster lift can occur when the front wheels, ordinarily in contact with the ground, are either intentionally, or unintentionally caused to lift from the ground while the rear wheels remain in contact. Pitch control (partial or full) should NEVER be attempted without consulting your healthcare advisor and making sure that anti-tips are installed.

If you fail to heed this warning, you are at a high risk of damage to your chair, a fall, tip-over or loss of control that may occur and cause severe injury to the rider or others.

E. REACHING OR LEANING

WARNING

If you reach or lean it will affect the center of balance of your chair. This may cause you to fall or tip over. When in doubt, ask for help or use a device to extend your reach.

1. NEVER reach or lean if you must shift your weight sideways or rise up off the seat.
2. NEVER reach or lean if you must move forward in your seat to do so. Always keep your buttocks in contact with the backrest.
3. NEVER reach with both hands (you may not be able to catch yourself to prevent a fall if the chair tips).
4. NEVER reach or lean to the rear unless your chair has anti-tip tubes locked in place.
5. DO NOT reach or lean over the top of the seat back. This may damage one or both backrest tubes and cause you to fall.
6. If You Must Reach Or Lean:
 - a. Do not lock the rear wheels. This creates a tip point and makes a fall or tip-over more likely.
 - b. Do not put pressure on the footrests.
 - c. Move your chair as close as you can to the object you wish to reach, then back up alongside it. Backing up will rotate the casters forward.
 - d. Do not try to pick up an object from the floor by reaching down between your knees. You are less likely to tip if you reach to the side of your chair.
 - e. Rotate the front casters until they are as far forward as possible. This makes the chair more stable.
 - f. Firmly grasp a rear wheel or an armrest with one hand. This will help to prevent a fall if the chair tips.

If you fail to heed these warnings, damage to your chair, a fall, tip-over or loss of control may occur and cause severe injury to the rider or others.

F. MOVING BACKWARD

WARNING

Use extra care when you move your chair backward. Your chair is most stable when you propel yourself forward. You may lose control or tip over if one of the rear wheels hits an object and stops rolling.

1. Propel your chair slowly and smoothly.
2. If your chair has anti-tip tubes, make sure to lock them in place.
3. Stop often and check to be sure your path is clear.

If you fail to heed these warnings, damage to your chair, a fall, tip-over or loss of control may occur and cause severe injury to the rider or others.

G. ESCALATORS

⚠ WARNING

NEVER use this chair on an escalator, even with an attendant. If you do, a fall or tip-over is likely.

If you fail to heed these warnings, damage to your chair, a fall, tip-over or loss of control may occur and cause severe injury to the rider or others.

H. RAMPS, SLOPES & SIDEHILLS 3 4 5 6

⚠ WARNING

Whenever possible, avoid riding on a slope, which includes a ramp or sidehill. This will change the center of balance of your chair. Your chair is less stable and more difficult to maneuver when it is at an angle. When moving up a hill, anti-tip tubes may not prevent a fall or tip-over. Always ask for help when riding on slopes.

1. **Do not** use your chair on a slope steeper than 10°.
2. Avoid Sidehills. **Do not** use your chair on a sidehill with a slope steeper than 6°.
3. **Always** go straight up or straight down a slope. **Do not** “cut the corner” on a slope or ramp.
4. **Do not** turn or change direction on a slope.
5. **Do not** stop on a steep slope. If you stop, you may lose control of your chair.
6. **NEVER** use rear wheel locks to try to slow or stop your chair. This is likely to cause your chair to veer out of control.
7. **ALWAYS** be aware of:
 - a. Wet or slippery surfaces.
 - b. A change in grade on a slope (or a lip, bump or depression). These may cause a fall or tip-over.
 - c. A drop-off at the bottom of a slope or ramp. A drop-off as small as 3/4 inch can stop a front caster and cause the chair to tip forward.
8. To Reduce The Risk Of A Fall Or Tip-Over:
 - a. Lean or press your body UPHILL. This will help adjust for the change in the center of balance caused by the slope or sidehill.
 - b. Keep pressure on the handrims to control your speed on a down slope. If you go too fast you may lose control.
 - c. Ask for help any time you are in doubt.
9. Ramps at home & work— For your safety, ramps at home and work must meet all legal requirements for your area:
 - a. Avoid a drop off. You may need a section at the top or bottom to smooth out the transition.
 - b. Stay in the center of the ramp and control your speed.
10. When you have to use a ramp, always stay in the **CENTER** of the ramp. Make sure the ramp is wide enough so that you have no risk of going off the edge.

If you fail to heed these warnings, damage to your chair, a fall, tip-over or loss of control may occur and cause severe injury to the rider or others.

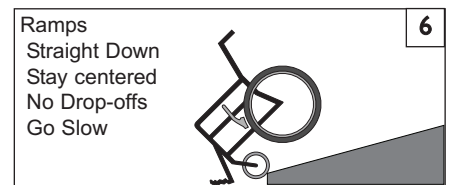
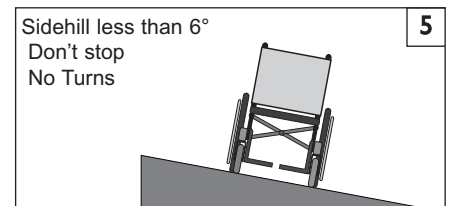
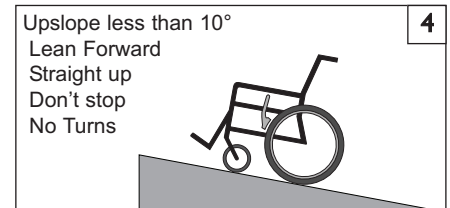
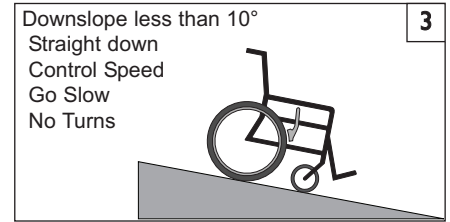
I. TRANSFER 7 8

⚠ WARNING

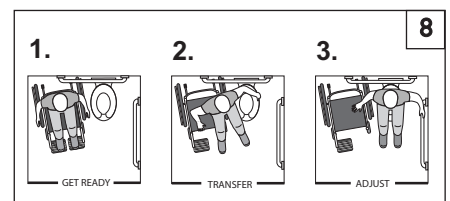
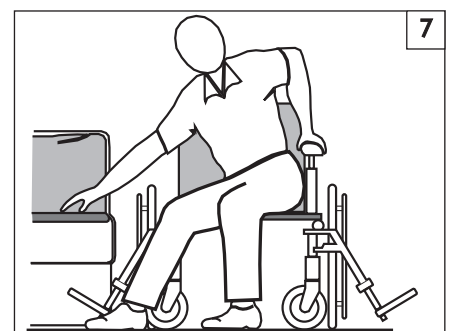
It is dangerous to transfer on your own. It requires good balance and agility. Be aware that there is a point during every transfer when the wheelchair seat is not below you. To Avoid A Fall:

1. Work with your health care advisor to learn safe transfer methods
 - a. Learn how to position your body and how to support yourself during a transfer.
 - b. Have someone help you until you know how to do a safe transfer on your own.
2. Lock the rear wheels before you transfer.
3. Be aware that the chair can still slide and/or tip. The wheel lock keeps the rear wheels from rolling while you are performing the transfer.
4. Make sure that the pneumatic tires are properly inflated. Low tire pressure may allow the rear wheel locks to slip. (see table in Section G “Pneumatic Tires”)
5. Move your chair as close as you can to the seat you are transferring to. If possible, use a transfer board.
6. Rotate the front casters until they are as far forward as possible.
7. If you can, remove the footrests, or swing them out of the way.
 - a. Make sure your feet do not catch in the space between the footrests.
 - b. Avoid putting weight on the footrests as this may cause the chair to tip.
8. Make sure armrests are removed, or out of the way and do not interfere with the transfer.
9. Transfer as far back onto the seat surface as you can. This will reduce the risk that the chair will tip or move away from you.

If you fail to heed these warnings, damage to your chair, a fall, tip-over or loss of control may occur and cause severe injury to the rider or others.



Optimum Transfer position



Before transferring, remove the armrests, and footrests, and make sure the wheel lock is set.

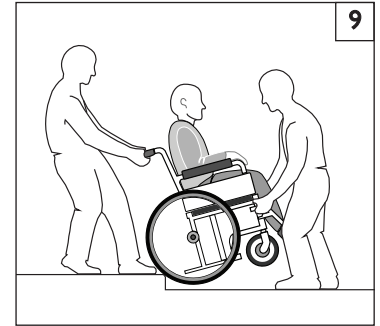
J. CURBS & SINGLE STEPS 9**⚠ WARNING**

Before riding over curbs, or negotiating even a single step, ALWAYS ask for assistance first. Curbs and steps can cause tipping and serious bodily harm. When in doubt as to our ability to avoid, or traverse any obstacle, ALWAYS ask for help. Be aware of your riding skills and personal limitations, develop new skills only with the help of a companion.

For Attendant: Each person who assists the rider with curbs and steps should read and follow all instructions and warnings pertaining to attendants, and caregivers.

1. Do not try to climb a high curb or step (more than 4 inches high) UNLESS you have help. Doing so may cause your chair to exceed its balance point and tip over.
2. With the help of an attendant, go straight up and straight down a curb or step. If you climb or descend at an angle, a fall or tip-over is likely.
3. Be aware that the impact of dropping down from a curb or step can damage your chair or loosen fasteners.

If you fail to heed these warnings damage to your chair, a fall, tip-over or loss of control may occur and can possibly cause severe injury to the rider or others.

**K. CLIMBING A CURB OR SINGLE STEP** 9**⚠ WARNING**

For Attendant: follow these steps to help the rider climb a curb or single step going BACKWARD:

1. Stay behind the chair.
2. Continue backward until the rear wheels contact the face of the curb or step. Lift and roll the rear wheels to the top of the curb.
3. Pull the chair backwards until the caster wheels have cleared the edge of the curb and return the chair to its rolling position.

If you fail to heed these warnings damage to your chair, a fall, tip-over or loss of control may occur and cause severe injury to the rider or others.

L. DESCENDING A CURB OR SINGLE STEP 9**⚠ WARNING**

For Attendant:: Follow these steps to help a rider descend a curb or single step going FORWARD:

1. Stay at the rear of the chair.
2. Several feet before you reach the edge of the curb or step, tip the chair slightly and pull it backward.
3. When the chair is at its balance point, carefully step forwards until the rear wheels reach the edge of the curb or step. Then allow the rear wheels to slowly roll down onto the lower level.
4. Push the chair forward until you are standing on the lower level.
5. When the rear wheels are safely on the lower level, tilt the chair back to its balance point.

If you fail to heed these warnings damage to your chair, a fall, tip-over or loss of control may occur and cause severe injury to the rider or others.

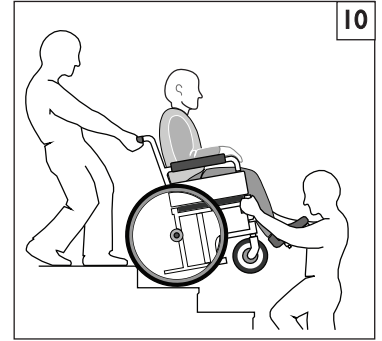
M. STAIRS 10**! WARNING**

1. NEVER use this chair on stairs UNLESS you have someone to help you. Doing so is likely to cause a fall or tip-over.
2. Negotiating stairs with a wheelchair always requires at least 2 attendants for safety.

If you fail to heed these warnings, damage to your chair, a fall, tip-over or loss of control may occur and cause severe injury to the rider or others.

! WARNING

Before you assist a rider, be sure to read the warnings “For Attendants” in Section V, Part K and follow all instructions that apply. Be aware that you will need to learn safe methods best suited to your abilities.

**N. CLIMBING STAIRS****! WARNING**

1. Use at least two attendants to move a chair and rider up stairs.
2. Move the chair and rider BACKWARD up the stairs.
3. The person at the rear is in control. He or she tilts the chair back to its balance point.
4. A second attendant at the front firmly grasps a non-detachable part of the front frame and lifts the chair up and over one stair at a time.
5. The attendants move to the next stair up. Repeat for each stair, until you reach the landing.

If you fail to heed these warnings, damage to your chair, a fall, tip-over or loss of control may occur and cause severe injury to the rider or others.

O. DESCENDING STAIRS**! WARNING**

1. Use at least two attendants to move a chair and rider down stairs.
2. Move the chair and rider FORWARD down the stairs.
3. The person at the rear is in control. He or she tilts the chair to the balance point of the rear wheels and rolls it to the edge of the top step.
4. A second attendant stands on the third step from the top and grasps the chair frame. He or she lowers the chair one step at a time by letting the rear wheels roll over the stair edge.
5. The attendants move to the next stair down. Repeat for each stair, until you reach the landing.

If you fail to heed these warnings, damage to your chair, a fall, tip-over or loss of control may occur and cause severe injury to the rider or others.

P. TILT USE**! WARNING**

BEFORE you operate the tilt mechanism:

1. Always verify that the arms of the rider are stable on the armrests or within the armrests.
2. Always verify that the legs of the rider are stable on the footrest/legrest.
3. Never place hands, feet or foreign objects into the tilt mechanism.
4. Never push or propel the chair with the seat tilted in a forward position.
5. Never add chair accessories that are not specifically designed for the SR45.
6. Never exceed a tilted position that aligns the backrest parallel to the ground.

If you fail to heed these warnings, damage to your chair, a fall, tip-over or loss of control may occur and cause severe injury to the rider or others.

A. ANTI-TIP TUBES (OPTIONAL)**⚠ WARNING**

Anti-tip tubes can help keep your chair from tipping over backward in normal conditions.

1. Sunrise recommends the use of anti-tip tubes:
2. When locked in place (in the “down” position) anti-tip tubes should be BETWEEN 1 1/2 to 2 inches off the ground.
 - a. If set **higher** than 2 inches, they may not prevent a tip-over.
 - b. If set **lower** than 1 1/2 inches, they may “hang up” on obstacles and cause a fall or tip over.
3. If you have to climb or descend a curb, or overcome an obstacle, it may be necessary to have an attendant make sure the anti-tip tubes are rotated up, and out of the way, so that the chair and rider do not get stuck and/or become unstable.

If you fail to heed these warnings damage to your chair, a fall, tip-over or loss of control may occur and cause severe injury to the rider or others.

B. ARMRESTS**⚠ WARNING**

Armrests detach and will not bear the weight of this chair.

1. NEVER lift this chair by its armrests. They may come loose or break.
2. Lift this chair only by non-detachable parts of the main frame.

If you fail to heed these warnings damage to your chair, a fall, tip-over or loss of control may occur and cause severe injury to the rider or others.

C. PUSH HANDLES**⚠ WARNING**

When you have an attendant, make sure that this chair has push handles.

1. Push handles provide secure points for an attendant to hold the rear of this chair, to prevent a fall or tip-over. Make sure to use push handles when you have an attendant.
2. Check to make sure push handle grips will not rotate or slip off.

If you fail to heed these warnings, damage to your chair, a fall, tip-over or loss of control may occur and cause severe injury to the rider or others.

D. STROLLER HANDLE**⚠ WARNING**

1. Always keep hands away from the locking mechanism located at the bottom of the back canes when folding the back down or pulling it back up.
2. Always keep fingers away from the interior of the hinge when readjusting the adjustable stroller handle.

E. CUSHIONS**⚠ WARNING**

1. Quickie standard foam cushions are not designed for the relief of pressure.
2. If you suffer from pressure sores or if you are at risk that they will occur, you may need a special seat system or a device to control your posture. Consult your doctor, nurse or therapist to find out if you need such a device for your well-being.
3. Seat pans are not intended to be used as a direct seating surface. A cushion or other seating surface should be placed on the seat pan before use.

If you fail to heed these warnings, damage to your chair, a fall, tip-over or loss of control may occur and cause severe injury to the rider or others.

F. FASTENERS**⚠ WARNING**

Many of the screws, bolts and nuts on this chair are special high-strength fasteners. Use of improper fasteners may cause your chair to fail.

1. ONLY use fasteners provided by an authorized supplier (or ones of the same type and strength, as indicated by the markings on the heads).
2. Over- or under-tightened fasteners may fail or cause damage to chair parts.
3. If bolts or screws become loose, tighten them as soon as you can.

If you fail to heed these warnings damage to your chair, a fall, tip-over or loss of control may occur and cause severe injury to the rider or others.

G. FOOTRESTS**⚠ WARNING**

1. At the lowest point, footrests should be AT LEAST 2 inches off the ground. If set too LOW, they may “hang up” on obstacles you can expect to find in normal use. This may cause the chair to stop suddenly and tip forward.
2. To Avoid A Trip Or Fall When You Transfer:
 - a. Make sure your feet do not “hang up” or get caught in the space between the footrests.
 - b. Avoid putting weight on the footrests, as the chair may tip forward.
 - c. Footrests should be swung out of the way or removed whenever entering or exiting the wheelchair.
3. NEVER lift this chair by the footrests. Footrests detach and will not bear the weight of this chair. Lift this chair only by non-detachable parts of the main frame.

If you fail to heed these warnings damage to your chair, a fall, tip-over or loss of control may occur and cause severe injury to the rider or others.

H. PNEUMATIC TIRES**⚠ WARNING**

Proper inflation extends the life of your tires and makes your chair easier to use.

1. Do not use this chair if any of the tires is under- or over-inflated. Check weekly for proper inflation level, as listed on the tire sidewall.
2. Low pressure in a rear tire may cause the wheel lock on that side to slip and allow the wheel to turn when you do not expect it.
3. Low pressure in any of the tires may cause the chair to veer to one side and result in a loss of control.
4. Over-inflated tires may burst.

If you fail to heed these warnings, damage to your chair, a fall, tip-over or loss of control may occur and cause severe injury to the rider or others.

Recommended Tire Pressures**Recommended Pressure or Pressure Range**

Tires	Quickie SR45	Recommended Pressure or Pressure Range	
		kPa	PSI
Pneumatic - 12"	x	276	40
Pneumatic - 16"	x	241	35
Pneumatic - 20"	x	448	65
Pneumatic - 22"	x	448	65
Pneumatic - 24"	x	517	75

I. POSITIONING BELTS (OPTIONAL)**⚠ WARNING**

Use positioning belts **ONLY** to help support the rider's posture. Improper use of these belts may cause severe injury to or death to the rider.

1. Make sure the rider does not slide down in the wheelchair seat. If this occurs, the rider may suffer chest compression or suffocate due to pressure from the belts.
2. The belts must be snug, but must not be so tight that they interfere with breathing. You should be able to slide your open hand, flat, between the belt and the rider.
3. A pelvic wedge or a similar device can help keep the rider from sliding down in the seat. Consult with the rider's doctor, nurse or therapist to find out if the rider needs such a device.
4. Use positioning belts only with a rider who can cooperate. Make sure the rider can easily remove the belts in an emergency.
5. **NEVER** Use Positioning Belts:
 - a. As a patient restraint. A restraint requires a doctor's order.
 - b. On a rider who is comatose or agitated.
 - c. As a motor vehicle restraint. In an accident or sudden stop the rider may be thrown from the chair. Wheelchair seat belts will not prevent this, and further injury may result from the belts or straps.

If you fail to heed these warnings damage to your chair, a fall, tip-over or loss of control may occur and cause severe injury to the rider or others.

J. QUICK-RELEASE AXLES**⚠ WARNING**

1. Do not use this chair **UNLESS** you are sure that both quick-release rear axles are locked.
2. An axle is not locked until the quick-release button pops out fully. If the axle is not inserted fully, the wheel may come off during use, endangering the rider.
3. Quick-release axles should be periodically cleaned and inspected for function, and signs of wear or bending. Replace as necessary.

If you fail to heed these warnings, damage to your chair, a fall, tip-over or loss of control may occur and cause severe injury to the rider or others.

K REAR AXLES**⚠ WARNING**

A change in set-up of the rear wheels will affect the center of balance of your chair:

1. The farther you move the rear axles **FORWARD**, the more likely it is that your chair will tip over backward.
2. Consult your doctor, nurse or therapist to find the best rear axle set-up for your chair. Do not change the set-up **UNLESS** you are sure you are not at risk to tip over.
3. Adjust the rear wheel locks after you make any change to the rear axles.
 - a. If you fail to do so, the locks may not work.
 - b. Make sure lock arms embed in tires at least 1/8 inch when locked.

If you fail to heed these warnings, damage to your chair, a fall, tip-over or loss of control may occur and cause severe injury to the rider or others.

L. REAR WHEEL LOCKS**⚠ WARNING**

Rear wheel locks are **NOT** designed to slow or stop a moving wheelchair. Use them only to keep the rear wheels from rolling when your chair is at a complete stop.

1. **NEVER** use rear wheel locks to try to slow or stop your chair when it is moving. Doing so may cause a fall or tip-over
2. To keep the rear wheels from rolling, always set both rear wheel locks when you transfer to or from your chair.
3. Low pressure in a rear tire may cause the wheel lock on that side to slip and may allow the wheel to turn when you do not expect it.
4. Make sure lock arms embed in tires at least 1/8 inch when locked. If you fail to do so, the locks may not work.

If you fail to heed these warnings damage to your chair, a fall, tip-over or loss of control may occur and cause severe injury to the rider or others.

M. MODIFIED SEAT SYSTEMS**⚠ WARNING**

Use of a seat system not approved by Sunrise may alter the center of balance of this chair. This may cause the chair to tip over:

1. Do not change the seat system of your chair **UNLESS** you consult your authorized supplier first.
2. Use of a seating system not provided by Sunrise is prohibited for transit use.

If you fail to heed these warnings damage to your chair, a fall, tip-over or loss of control may occur and cause severe injury to the rider or others.

⚠ WARNING

The owner and/or Caregiver for the use of this product, is responsible for making sure that it has been setup and adjusted by a trained service professional under the advice of a healthcare advisor. The chair may require periodic maintenance or certain in-use adjustments that may be performed by the owner or caregiver.

A. INTRODUCTION

1. Proper maintenance will improve performance and extend the useful life of your chair.
2. Clean your chair regularly. This will help you find loose or worn parts and make your chair easier to use. You will need a mild detergent solution and plenty of cleaning rags.
3. If discovered, repair or replace loose, worn, bent or damaged parts **before using the chair.**
4. To protect your investment, have all major maintenance and repair work done by your authorized dealer.
5. **Inspect and maintain this chair strictly per the maintenance chart.**
6. **If you detect a problem, make sure to order parts, or have service, and repair work done at your authorized dealer before use.**
7. **At least once per year, have a complete inspection, safety check, and service of your chair made by an authorized dealer.**

B. CRITICAL MAINTENANCE TIPS

1. Tire Air Pressure:

Check air pressure in pneumatic tires at least **ONCE PER WEEK**. The wheel locks will not grip properly if you fail to maintain the air pressure shown on tire sidewall.

2. Axles & Axle Sleeves:

When checking axles and axle sleeves every six months, make sure they are clean and tight. Loose sleeves will damage the axle plate and will affect performance.

C. MAINTENANCE CHART

Weekly	3 Months	6 Months	Annually	CHECK...
<input checked="" type="checkbox"/>				Tire inflation level
<input checked="" type="checkbox"/>				Wheel locks
	<input checked="" type="checkbox"/>			All fasteners for wear and tightness
		<input checked="" type="checkbox"/>		Armrests
		<input checked="" type="checkbox"/>		Axle and axle sleeves
	<input checked="" type="checkbox"/>			Quick-release axles
	<input checked="" type="checkbox"/>			Wheels, tires and spokes
	<input checked="" type="checkbox"/>			Casters
	<input checked="" type="checkbox"/>			Anti-tip tubes
		<input checked="" type="checkbox"/>		Frame
<input checked="" type="checkbox"/>				Rollers
<input checked="" type="checkbox"/>				Tilt cables and plunger
<input checked="" type="checkbox"/>				Rocker arm
			<input checked="" type="checkbox"/>	Service by authorized supplier

D. CLEANING

1. Paint Finish

- a. Clean the painted surfaces with mild soap or detergent at least once a month.
- b. Protect the paint with a coat of non-abrasive auto wax every three months.

2. Axles and Moving Parts

- a. Clean around axles and moving parts WEEKLY with a slightly damp (not wet) cloth.
- b. Wipe off or blow away any fluff, dust or dirt on axles or moving parts.

3. Upholstery

- a. Hand-wash (machine washing may damage fabric).
- b. Drip-dry only. **DO NOT** machine dry as heat will damage fabric.

4. Basic Maintenance Materials available at local store

- a. Tire Pump
- b. Clean rags or cotton cloth.
- c. Teflon-based Lubricant
- d. Mild Detergent.

NOTE– You do not need to grease or oil the chair.

E. TROUBLESHOOTING CHART

SYMPTOMS								SOLUTIONS	
	Left turn in chair	Right turn in chair	Looseness in chair	Sluggish turning	Squeaks and rattles	Caster flutter	Chair drops fast into tilt and is hard to return.		Chair is hard to tilt and returns too fast.
<input checked="" type="checkbox"/>	<input checked="" type="checkbox"/>	<input checked="" type="checkbox"/>	<input checked="" type="checkbox"/>						Make sure tire pressure is correct and equal in both rear tires and front caster tires, if pneumatic.
			<input checked="" type="checkbox"/>	<input checked="" type="checkbox"/>	<input checked="" type="checkbox"/>	<input checked="" type="checkbox"/>			Make sure all nuts and bolts are snug.
			<input checked="" type="checkbox"/>		<input checked="" type="checkbox"/>				Make sure all spokes and nipples are tight on radial spoke wheels.
					<input checked="" type="checkbox"/>				Use Tri-Flow Lubricant (Teflon™-based) between all modular frame connections and parts.
<input checked="" type="checkbox"/>	<input checked="" type="checkbox"/>		<input checked="" type="checkbox"/>		<input checked="" type="checkbox"/>				Check for proper caster plate adjustment. See instructions for caster plate adjustment.
<input checked="" type="checkbox"/>	<input checked="" type="checkbox"/>				<input checked="" type="checkbox"/>				Make sure both front casters touch the ground simultaneously. If they do not, add the proper spacers between the bottom bearing of the caster plate and fork stem nut until they do. Make sure you check for this problem on a flat surface.
							<input checked="" type="checkbox"/>		Consult with an authorized supplier to adjust CG/CR forward
								<input checked="" type="checkbox"/>	Consult with an authorized supplier to adjust

F. TO MOUNT AND REMOVE REAR WHEELS 11

Do not use this chair UNLESS you are sure both quick-release axles are locked. An unlocked axle may come off during use and cause a fall.

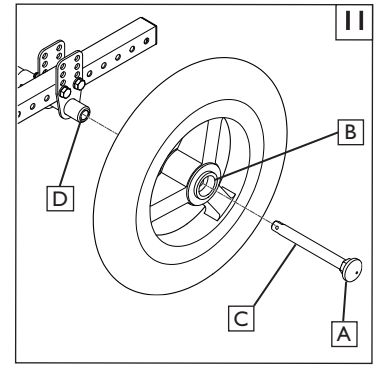
NOTE— Axle is not locked until the quick-release button (A) pops out fully.

2. To Install Wheel

- a. Depress quick-release button (A) fully. This will release tension on ball bearings at other end.
- b. Insert axle through hub of rear wheel (B).
- c. Keep pressure on button (A) as you slide axle (C) into axle sleeve (D).
- d. Release button to lock axle in sleeve. Adjust axle if it does not lock.
- e. Repeat steps on other side.

3. To Remove Wheel

- a. Depress quick-release button (A) fully.
- b. Remove wheel by sliding axle (C) out of axle sleeve (D).
- c. Repeat steps on other side.



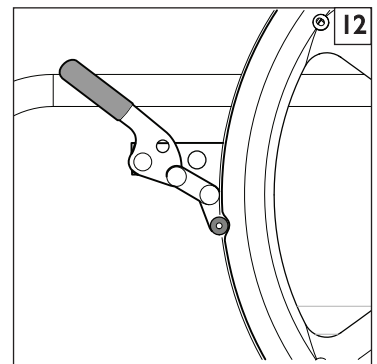
G. CUSHION INSTALLATION

- a. Place cushion on seat pan with hook material side down. The beveled edge of the cushion should be in front, press it firmly into place.

H. WHEEL LOCKS 12

WARNING

Wheel locks are installed at Sunrise and should be adjusted by your qualified service person. Inspect wheel locks weekly per the maintenance chart. Do not use your chair UNLESS you are sure both wheel-locks can fully engage. A wheel-lock that is not correctly adjusted may allow your chair to roll, or turn unexpectedly. Wheel-locks must be adjusted after making sure the tires have the correct air pressure. When fully engaged, the arm should be imbedded into the tire at least 1/8" to be effective. If you find the wheel locks have slipped or are not working correctly contact your service provider for proper adjustment.



I. ANTI-TIP TUBES- REAR 13 14

Anti-tip tubes are recommended for all wheelchairs. Do not attempt to overcome Obstacles on your own.

1. Inserting Anti-Tip Tubes Into Receivers

- a. Press in the rear anti-tip button (E) on the anti-tip so that both buttons are drawn inside.
- b. Insert the anti-tip tube into the receiver (F).
- c. Turn the anti-tip tube down until front release button pops through the receiver mounting hole.
- d. Insert second anti-tip tube the same way.

2. Turning Anti-Tip Tubes Up

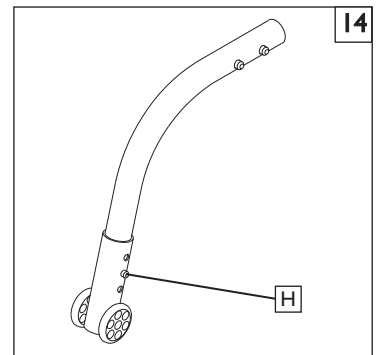
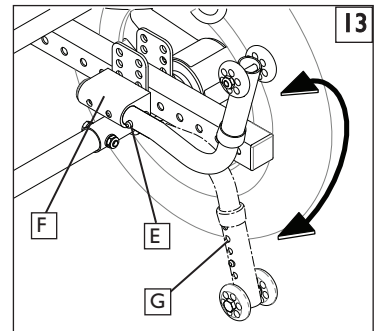
Turn the anti-tip tubes up when being pushed by attendant, and overcoming obstacles or climbing curbs.

- a. Press in the rear anti-tip tube release button (E).
- b. Hold button (E) in and turn anti-tip tube up (G).
- c. Release the button.
- d. Repeat with second anti-tip tube.
- e. Remind attendant to return anti-tips to the down position after completing the maneuver.

3. Adjusting Anti-Tip Tube Wheel

The anti-tip tube wheels may have to be raised or lowered to achieve proper ground clearance (1-1/2" to 2").

- a. Press the anti-tip wheel release button (H) so that the release pin is drawn inside.
- b. Raise or lower to one of the three or six pre-drilled holes.
- c. Release the button (H).
- d. Adjust the second anti-tip tube wheel the same way. Both wheels should be at exactly the same height.



J. DUAL-POST ARMRESTS 15 16**1. Installation or Removal**

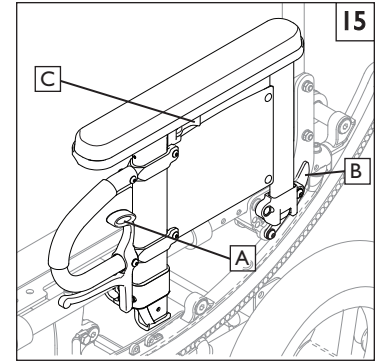
- The assembly is held securely in place when the securing lever (A) is facing outside.
- Pull front securing lever (A) forward to release.
- Insert or remove armrest.
- Return securing lever to locked position.

2. Height-Adjustment (optional)

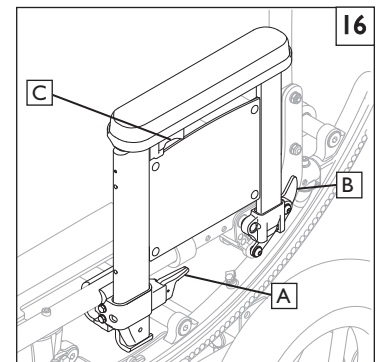
- Release the upper securing lever (C).
- Set armrest at desired height.
- Return securing lever to locked position.
- Move armrest up or down to allow armrest to snap into place.

3. Flip Back (optional)

- Release the front securing lever only (A).
- Flip the armrest back, it remains attached to the rear receiver.
- To detach armrest completely pull rear securing lever (B) up.
- Move armrest down into place.
- Return securing lever to locked position.



Flip-Back Height adjustable armrest with transfer bar



Flip-Back Height adjustable armrest without transfer bar

K. HEIGHT-ADJUSTABLE ARMRESTS (optional) 17**1. Installation**

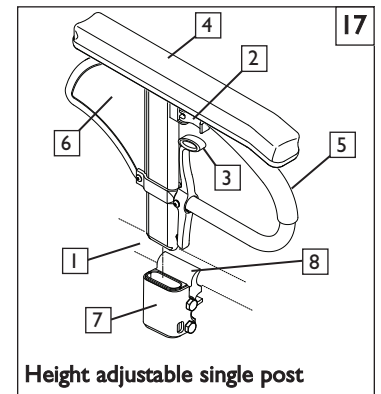
- Slide the outer armpost (1) into the receiver (7) mounted to the wheelchair frame.
- The armrest will automatically lock into place.

2. Height Adjustment

- Rotate release lever (2) to second stop.
- Slide armrest pad (4) up or down to desired height.
- Return lever (2) to locked position against armpost.
- Push arm pad down until upper armpost locks firmly into place.

3. Removing Armrest

- Grip release lever (3) and pull up to remove the armrest.



Height adjustable single post

- Outer armpost
- Release Lever Height
- Release lever
- Armrest pad
- Transfer bar
- Side panel
- Receiver
- Clamp

L. SWING-AWAY HANGERS/FOOTRESTS 18

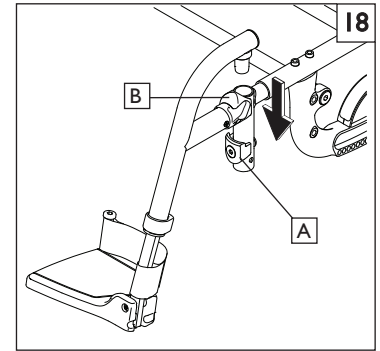
Swing-in-Swing-out Hangers and Footrests (70°, 80°)

1. Installation

- a. Place swing-in/swing-out pivot saddle into the receiver (A) on front frame tube with the footrest facing inward or outward from the frame.
- b. Rotate the footrest inward until it locks into place on locking plate.

2. Removal

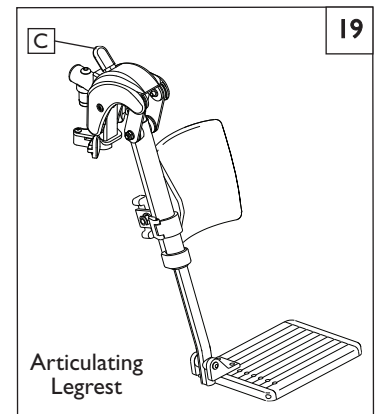
- a. To remove footrest, release latch (B) by pulling lever upward or pushing lever downward.
- b. Rotate footrest inward or outward and lift.

**M. ARTICULATING LEGREST (optional)** 19**1. Installation or Removal**

To install or remove Articulating Legrest (ALR) see instructions for Swing-away Footrest installation.

2. Elevation Adjustment

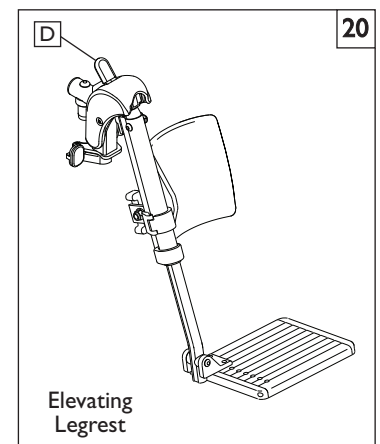
- a. To raise legrest, lift to desired position. Legrest will automatically lock in place.
- b. To lower legrest, while seated in chair, press release lever (C) down and lower Legrest to desired position. Legrest will automatically lock in place.

**N. ELEVATING LEGREST (optional)** 20**1. Installation or Removal**

To install or remove Elevating Legrest (ELR) see instructions for Swing-away Footrest installation.

2. Elevation Adjustment

- a. To raise legrest, lift to desired position. Legrest will automatically lock in place.
- b. To lower legrest, while seated in chair, press release lever (D) down and lower legrest to desired position. Legrest will automatically lock in place.

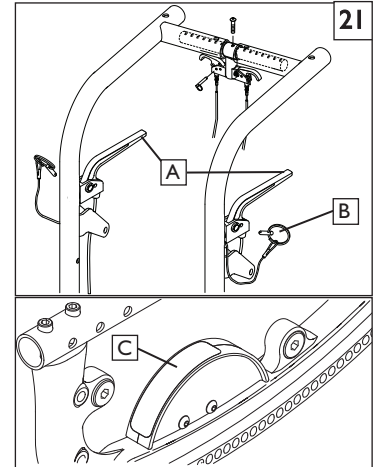


O. TILT-IN-SPACE MECHANISM

The tilt-in-space mechanism is installed by Sunrise. Two cable/trigger mechanisms positively lock the chair in place from 0° to 45° depending on the set-up.

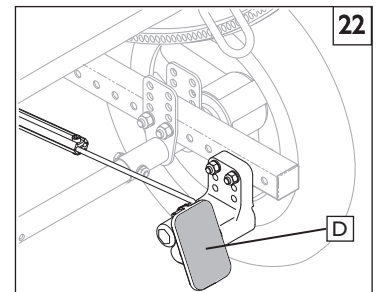
I. Trigger Tilt Operation 21

- a. Depressing both triggers (A) at the same time disengages the locking mechanism and allows the seat and back to rotate in space. Releasing the triggers positively locks the rockers in place.
- b. The approximate degree of tilt the seat is at can be seen on the tilt indicator (C).
- c. To lock out the tilting function, and prevent accidental tilt, be sure to insert the locking pins (B) into the trigger holders when you are done adjusting the tilt.



2. Foot Release 22

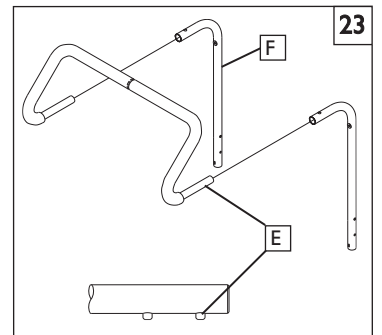
- a. Depressing foot pedal (D) disengages the locking mechanism and allows the seat and back to rotate in space. Releasing the foot pedal positively locks the rockers in place.
- b. The approximate degree of tilt the seat is at can be seen on the tilt indicator (C).



P. STROLLER HANDLE EXTENSION (option) 23 24

Installation

- a. Press button (E) on the stroller handle so that release pins are drawn inside the tube.
- b. Insert the tube into the back tube receiver (F) until the release pin protrudes through the receiver mounting hole.



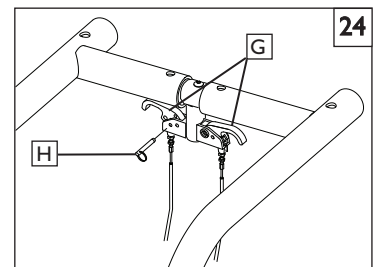
Q. RECLINING BACK

The dual trigger reclining mechanism is installed by Sunrise.

To Recline or Raise Backrest

- a. Depress both triggers (G) at the same time. Releasing the triggers positively locks the backrest in place within its 45° range.
- b. To lock out the adjustment system, insert the locking pin (H) into the trigger holder.

NOTE— ALWAYS lock the dual trigger reclining mechanism securely in place after positioning the backrest.



R. CHECK-OUT

Once the wheelchair is assembled and adjusted, it should roll smoothly and easily. All accessories should also perform smoothly. If you have any problems, follow these procedures:

1. Review assembly and adjustment sections to make sure the chair was properly prepared.
2. Review the troubleshooting guide.
3. If your problem persists, contact your authorized supplier. If you still have a problem after contacting your authorized supplier, contact Sunrise customer service. See the introduction page located in the front of this User's Manual for details on how to contact your authorized supplier, or Sunrise customer service.

⚠ WARNING

The owner of this chair is responsible for making sure that it has been setup and adjusted by a trained service professional under the advice of a healthcare advisor. Service or adjustments should only be done with the advice of a healthcare professional. Always use parts and accessories that have been recommended and approved by Sunrise Medical when servicing this chair.

A. DEALER SERVICE INTRODUCTION

1. At least once per year, this chair should have a complete inspection, safety check, and regular service made by an authorized dealer.
2. If you have discovered a worn, bent, or damaged part, repair or replace them with recommended parts before returning this chair to service.
3. All major maintenance and repair work should be done by the authorized dealer.

B. CRITICAL MAINTENANCE TIPS

1. Torque settings:

A torque setting is the optimum tightening which should be made on a particular fastener. It is important to use proper torque settings where specified. When not specified, torque settings should be 60 in-lbs

2. Dealer Service and Adjustment Reference materials:

Go to www.sunrisemedical.com for parts manuals, instruction sheets, and instructional videos that will aid in the repair of the Quickie/Zippie Family of wheelchairs.

C. CLEANING

1. Paint Finish

- a. Clean the painted surfaces with mild soap or detergent.
- b. Protect the paint with a coat of non-abrasive auto wax.

2. Axles and Moving Parts

- a. Clean around axles and moving parts with a slightly damp (not wet) cloth.
- b. Wipe off or blow away any fluff, dust or dirt on axles or moving parts.
- c. DO NOT USE 3 in 1 oil, or WD-40 ® for lubrication. Only use Teflon based Lubricant when working on this wheelchair.

D. REAR AXLE 25

1. Rear Wheel Axle Adjustment

Tight axle sleeves should be maintained for proper performance of the wheelchair.

- a. To adjust the axle (A) you will need a 3/4" wrench (B) to turn the outside axle nuts (C).
- b. You will also need a 1/2" wrench to hold the the opposite end of the axle (D), and prevent the axle from turning, while you are adjusting the nut.
- c. Turn the outside axle nut clockwise to tighten.
- d. There should only be zero to ten thousandths of an inch (.010") of play.

2. Moving the Rear Axle for Weight Distribution

Weight distribution between the front and rear wheels is primarily adjusted by moving the rear axles forward or rearward on the frame. Moving the axles REARWARD provides better forward and rearward tipping stability. Moving the axles FORWARD shifts more of the rider's weight onto the REAR wheels, providing the following benefits: the front end of the wheelchair becomes lighter, thus reducing the turning effort, and with a shorter wheelbase the turning radius is reduced.

CAUTION - Moving the Rear axles can effect the stability of the device ALWAYS check stability with the rider before putting the chair into service

IMPORTANT NOTE– The axle adjustment on each side of the chair should be equal.

NOTE– Use a torque setting of 120 in.-lbs. When setting-up the axle plate.

NOTE– The frame must be kept horizontal when height adjustments are made. Refer to matrix in the ordering guide for proper setting.

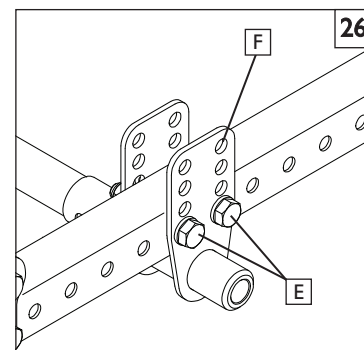
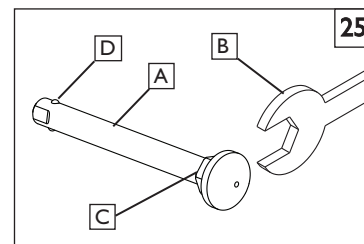
3. Axle Position Adjustment 26

- a. Remove both wheels from the chair.
- b. Remove the bolts (E) from the axle plate (F) on both sides of the chair.
- c. Reposition the axle plate in desired position.
- d. Insert and tighten bolts (E).



TOOLS YOU WILL NEED

1. Imperial Hex key set
2. Metric Hex key set
3. Imperial Open-end Wrench set
4. Metric Open-end Wrench set
5. Torque wrench
6. Imperial Hex bit Socket set
7. Metric Hex bit Socket set
8. Phillips and Flat screwdrivers

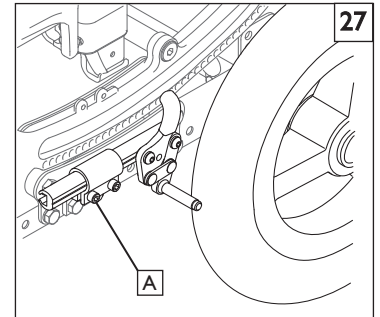


4. Axle Height Adjustment 26

- a. Loosen and remove bolts (E).
- b. Set axle at desired height using pre-set holes in the axle plate (B) on both sides.
- c. Replace and tighten bolts.

E. WHEEL LOCKS 27**Adjustment**

- a. Evenly loosen both screws (A). Do not attempt to remove one screw at a time.
- b. Slide assembly toward rear wheel until clamp embeds into tire to prevent wheel movement, when in locked position.
- c. Tighten screws (A).

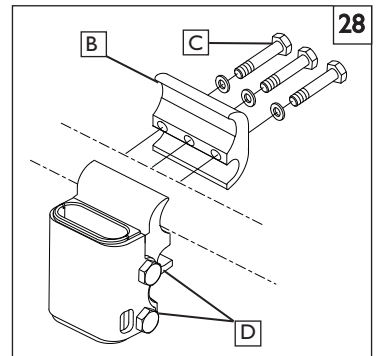
**F. SINGLE -POST ARMREST RECEIVER** 28**1. Adjusting Armrest Receiver Fit**

To tighten or loosen the fit of the outer armrest in the receiver:

- a. Loosen the bolts on the sides of the receiver (D).
- b. With the armrest in the receiver, squeeze the receiver to achieve the desired fit.
- c. Tighten the four bolts (D).

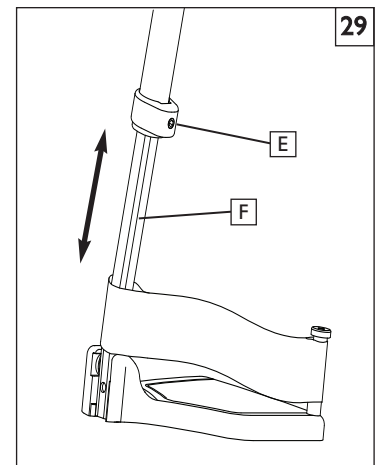
2. Moving the Receiver location

- a. Loosen the 3 bolts (C) holding the clamp halves (B) together (do not remove them)
- b. Slide the clamp so that armrest is at the correct position.
- c. Tighten the 3 bolts (C).

**G. SWING-AWAY HEIGHT ADJUSTMENT** 29**Height Adjustment**

NOTE— It is recommended that you maintain a minimum of 2.0 inches between the lowest point on the footrest and the floor.

- a. Loosen set screw (E) using a 3/16 inch hex key.
- b. Slide footrest extension (F) up or down inside frame tube to desired height.
- c. Tighten set screw (E). Use a torque setting of 144 in-lbs (16.27 Nm).



H. FOOTPLATE ADAPTER BRACKET 30 31 32

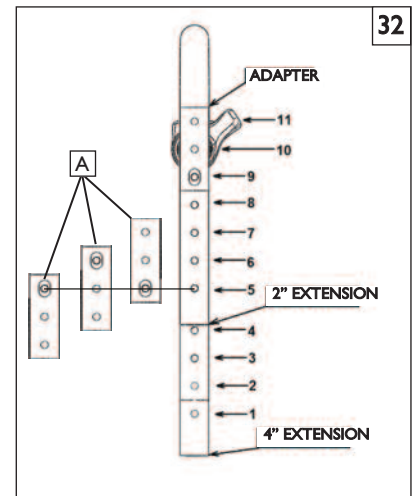
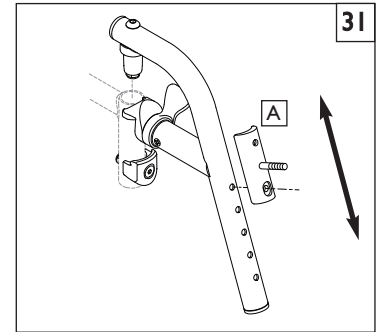
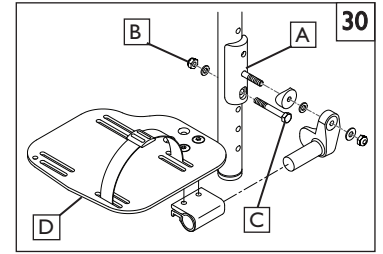
The footplate adapter bracket(A) can be installed by the dealer. The main purpose of this part is to allow for height adjustment while using front mount footplates on a quick release hanger. The plate can be reversed which adds to it's range of adjustment.

I. Footplate Height Adjustment

- Remove the hardware (B, C) and remove the footplate(D) and adapter plate assembly.
- Move the footplate(D) and assembly up or down to the desired position, using the "Front mount hanger setup" table, and (figure 32) as reference.
- Re-insert and tighten the hardware (B, C) to a torque of (96in-lbs)
- Repeat the process for the other hanger and footplate.

NOTE– In most cases you will want to make sure the footplates are adjusted so that the height is the same on both sides

FRONT MOUNT HANGER SETUP											
Hanger Option	4" Extension				Standard Hanger Holes					Footplate Adapter	
	1	2	3	4	5	6	7	8	9	10	11
70D	16	15	14	13	11 1/2	10 1/2	9 1/2	9	8	7	6
80D	16 1/2	15 1/2	14 1/2	13 1/2	12	11	10	9	8	7	6
90D	-	-	-	-	11 1/2	10 1/2	9 1/2	8 1/2	7 1/2	6 1/2	5 1/2



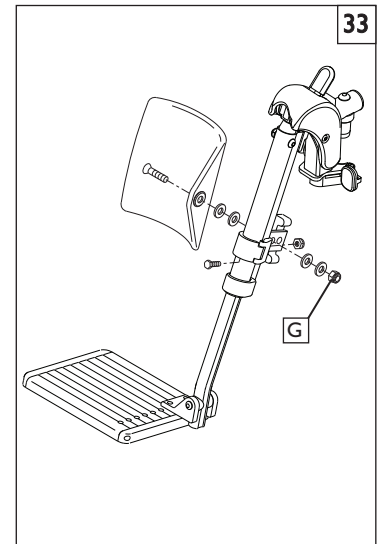
I. ELEVATING / ARTICULATING LEGREST 33

I. Height Adjustment of the Calf Pad

- Loosen the retaining nut (G) located at the back of the calf pad bracket assembly.
- Slide the calf pad bracket assembly up or down.
- Tighten the retaining nut (G) once the pad is in the desired position.

Height Adjustment with Extension Tube

- (See "Swing-away Height Adjustment" Section G)

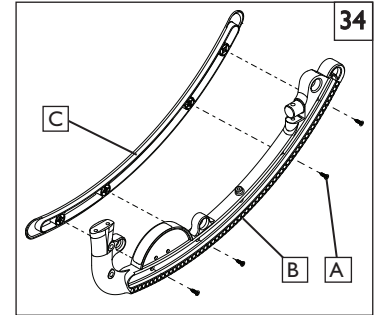


J. TILT-IN-SPACE MECHANISM

The tilt-in-space mechanism is installed by Sunrise. Two cable/trigger mechanisms positively lock the chair in place from 0° to 45° depending on the set-up.

1. Rocker Cover removal 34

- a. Remove the (4 or 5) screws (A) that hold the cover to the Rocker Frame (B).
- b. Remove the Rocker Cover (C) and store with screws in case you need them later.

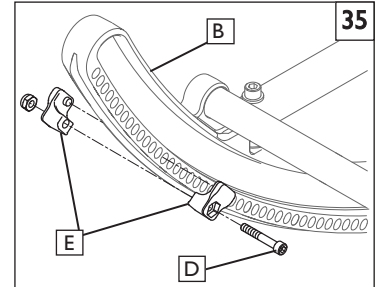


2. Tilt-stops Adjustment 35

NOTE– When using tilt stops, you must first remove the Rocker Cover.

Adjustments can be made to limit the amount of tilt (rotation) that the chair provides by using the tilt-stops (E).

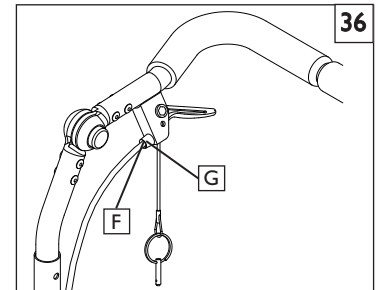
- a. Loosen and remove the retaining screw (D).
- b. Locate the tilt-stops to the desired limit either anterior or posterior.
- c. Each half of tilt stop assembly should plug into directly opposing holes on the rocker (B), then secure in place by tightening the screw (D).



3. Cable Adjustment 36

NOTE– Do not use lubricants on the components or assembly.

- a. Loosen the jam nut (G).
- b. Rotate the cable adjuster (F) until slack is removed from the cable. Make sure the plunger pin can fully extend and retract after adjustment and that pins engage the rocker when triggers are released.
- c. Tighten jam nut (G).



K. BACKREST AND STROLLER HANDLE

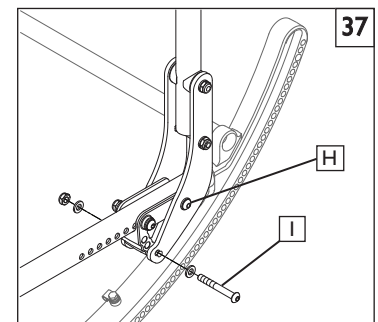
1. Angle Adjustment 37

- a. Loosen rear bolt (H).
- b. Loosen and remove angle adjustment bolt (I).
- c. Set backrest at desired angle using pre-set holes.
- d. Replace and tighten the front bolt (I).
- e. Tighten rear bolt (H).
- f. Repeat on other side.

IMPORTANT NOTE– The adjustment on each side of the chair should be exactly equal.

NOTE– Use a torque setting of 240 in.-lbs. When setting-up the angle adjustment of the stroller handle.

NOTE– Backrest position may also need adjusting to maintain optimal CG alignment and stability.

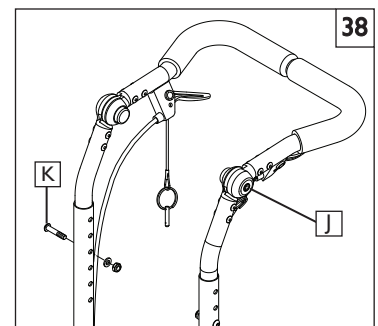


2. Angle Adjustment of the Stroller Handle 38

Depress both black push buttons (J) at the same time. This disengages the stroller handle and allows it to rotate freely. Releasing the push buttons positively locks the adjustable stroller handle in the desired position.

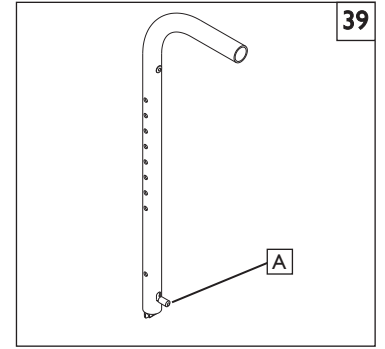
3. Height Adjustment 38

- a. Remove both bolts (K) from the backrest tube (one on each side).
- b. Reposition backrest height.
- c. Re-tighten both bolts (K) in the desired location.

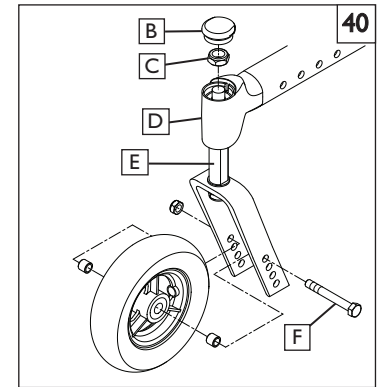


4. Flip-Down Back Function 39

- a. To fold the back down, pull-up the back release pins (A) and push the backrest forward.
- b. To lock it back in position, lift the backrest firmly until it locks in its original position.

**L. CASTER/FORK ASSEMBLY** 40**1. Installation**

- a. Remove dust cover (B) from caster housing. Pry cover off using a back and forth motion.
- b. Caster assembly holds one nut (C) and one washer (immediately below the nut). Remove nut and washer.
- c. Insert caster stem (E) into caster housing (D) and place washer on stem.
- d. Replace nut (C) on caster stem and tighten until all play is removed; then loosen approximately 1/8 turn, allowing for free rotation.
- e. Replace dust cover to caster housing.

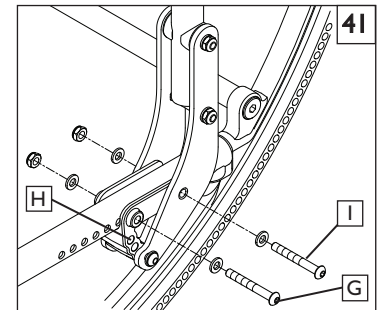
**2. Height Adjustment**

- a. Loosen and remove bolt (F).
- b. Set axle at desired height using pre-set holes in the fork.
- c. Replace and tighten bolt.
- d. Repeat on other side.

NOTE— The frame must be kept horizontal when height is adjusted. Refer to matrix in the ordering guide for proper setting. Refer to Section “rear axle height adjustment.”

M. FRAME DEPTH**1. Back adjustment** 41

- a. Remove the screws (G & I) from the back mounting plate (H) on both sides of the chair.
- b. Slide the backrest along the seat rail to the same position on both sides.
- c. Replace and tighten the screws (G & I) to lock in the position on both sides of chair.

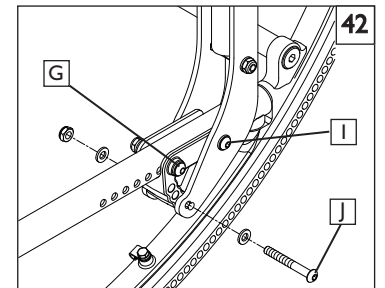


IMPORTANT NOTE— The adjustment on each side of the chair should be exactly equal.

NOTE— Use a torque setting of 120 in.-lbs. When setting-up back depth adjustment.

2. Back angle adjustment 42

- a. Remove the screw (J) and loosen I) from the back mounting plate (H) on both sides of the chair.
- b. Adjust the backrest to the same position on both sides, using one of the three adjustment holes shown.
- c. Tighten the screws (I & J) to lock in the position on both sides of chair.

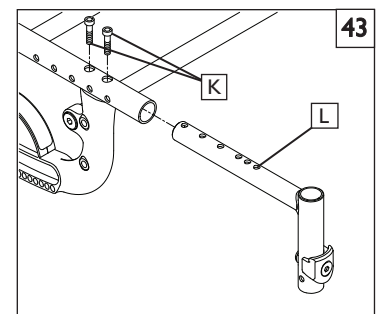
**3. Hanger Receiver Adjustment** 43

- a. Loosen and remove both Socket head screws (K) from the seat rail.
- b. Slide the hanger receiver (L) in the seat rail to the desired position.
- c. Replace and tighten the socket head screws.
- d. Repeat this process on the other side.

IMPORTANT NOTE— These adjustments may also require re-positioning the carriage over the base frame, refer to matrix in the ordering guide for recommended location.

IMPORTANT NOTE—The adjustment on each side should be exactly equal.

NOTE— Use a torque setting of 120 in.-lbs. When setting-up hanger receiver.



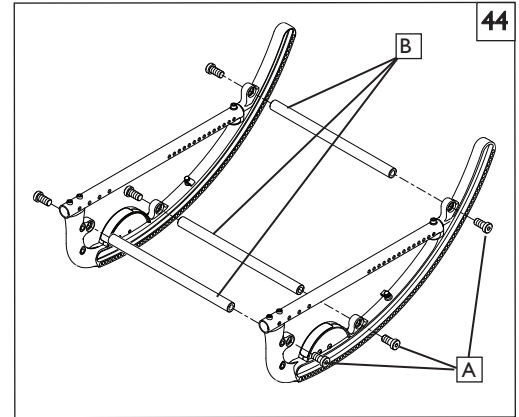
N. FRAME WIDTH 44 45

The frame of the SR45 is built to accommodate growth by using the growth kit components.

1) Fixed Strut Tube Width Adjustment (Rocker assembly)

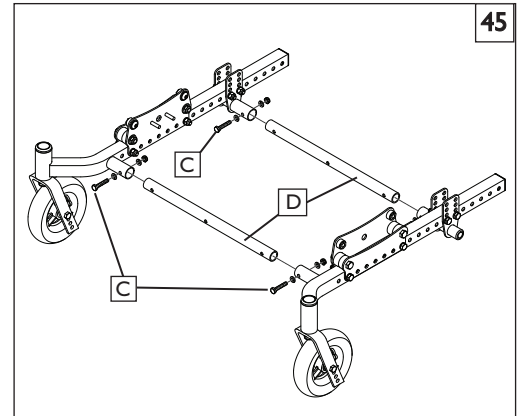
- Remove the bolts (A) from both ends of the strut tubes (B) for all strut tubes.
- Replace with the appropriate length strut tubes
- Tighten the bolts (A) at each end.
- Repeat for each strut tube (B).

NOTE- Use a torque setting of 200 in.-lbs. when tightening hardware (A).

**2) Fixed Strut Tube Width Adjustment (Roller assembly)**

- Remove the bolts (C) from both ends of the strut tubes (D) for all strut tubes.
- Replace with the appropriate length strut tubes
- Tighten the bolts (C) at each end.
- Repeat for each strut tube (D).

NOTE- Use a torque setting of 200 in.-lbs. when tightening hardware (A).

**O. SEAT PAN** 46

The seat pan of the SR45 is designed to accommodate depth adjustment.

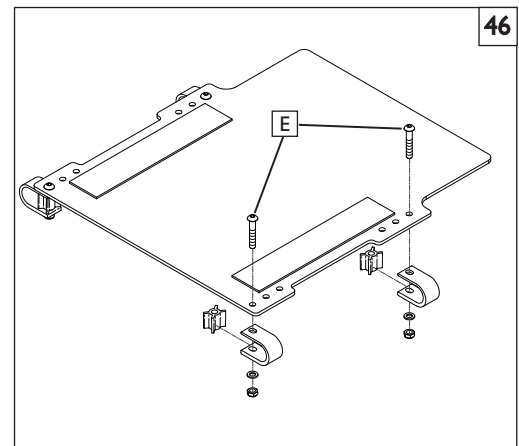
Depth adjustment

- Loosen and remove all bolts (E).
- Adjust the seat pan to the desired depth.
- Replace and tighten all bolts.

NOTE- Use the holes that place the bolts as far away from each other as possible.

Width adjustment

- Loosen and remove all bolts (E).
- Adjust chair to the desired width.
- Replace and tighten all bolts.



P. CARRIAGE 47

The carriage of the SR45 can be adjusted to preset a range of tilt.

IMPORTANT NOTE– This adjustment must be done by an authorized supplier only

1. Location Adjustment

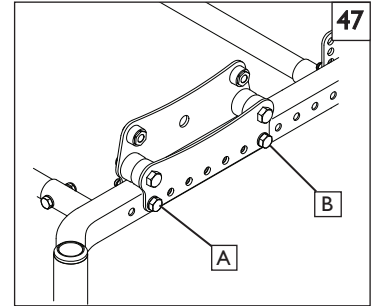
- a. Loosen and remove bolts A & B.
- b. Set the carriage at desired range setting using the proper holes.
- c. Replace and tighten all bolts.

IMPORTANT NOTE– The adjustment on each side of the chair should be exactly equal.

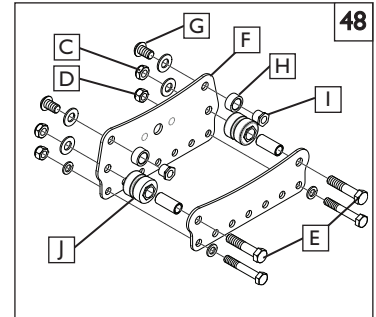
NOTE– Use a torque setting of 120 in.-lbs. When setting-up carriage.

NOTE– It is highly recommended to replace both rollers within each carriage assembly at the same time.

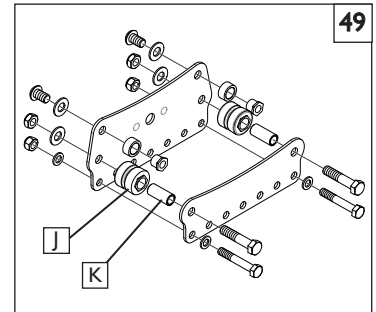
Do not use lubricants anywhere on the assembly.

**2. Top Roller Replacement** 48

- a. Loosen both plunger pin bracket nuts.
- b. Loosen and remove both lower roller nuts (C), chassis fastener nut (D), and base strut bolts (A,B) on both sides. Remove the base strut.
- c. Slide the inner carriage plate (F) off the fasteners, towards the center of the chair.
- d. Loosen and remove both sides of the roller hardware (G).
- e. Remove old top rollers (H) from the upper roller shafts (I) and replace with new top rollers.
- f. Reinstall the upper roller shafts (I) onto the inner carriage plate (F), installing roller hardware (G).
- g. Reinstall carriage plate assembly onto the frame. Replace and tighten the nuts (C,D) and strut bolts (A,B).
- h. Ensure that the plunger pin is centered and engaged into a rocker hole and pin bracket nuts are tight.
- i. Repeat on the other side of chair as necessary.

**3. Bottom Roller Replacement** 49

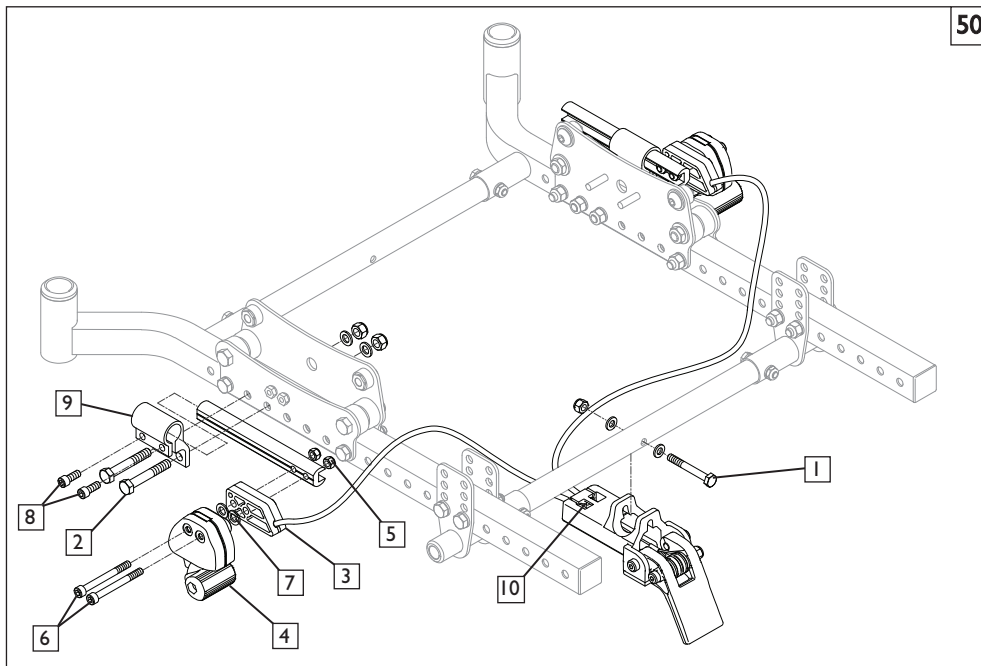
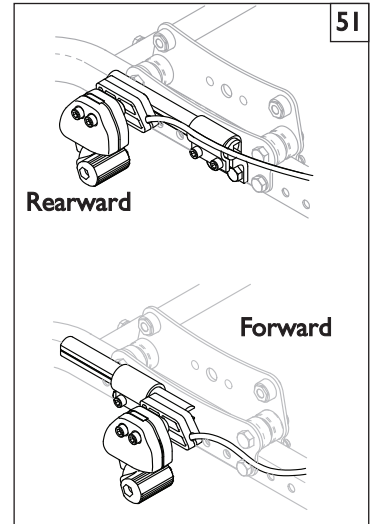
- a. Loosen both plunger pin bracket nuts.
- b. Loosen and remove both lower roller nuts (C), chassis fastener nut (D), and base strut bolts (A,B).
- c. Slide the inner carriage plate (F) off the fasteners, towards the center of the chair.
- d. Remove old bottom rollers (J) from the roller bushings (K) and replace with new bottom rollers.
- e. Reinstall carriage plate (F) to the frame assembly. Replace and tighten the nuts (C, D) and bolts (A,B E).
- f. Ensure that the plunger pin is centered into a rocker hole and tighten plunger pin bracket nuts.
- g. Repeat on the other side of chair as necessary.



NOTE– Use a torque setting of 150 in.-lbs. when tightening bottom roller hardware.

Q. ATTENDANT WHEEL LOCK INSTALLATION 50 51

1. Remove wheels from chair.
2. Attach Mount bracket/cable assembly to axle strut tube using 1/4" x 2" bolt (item 1) with nut and washers.
3. If push-to-lock wheel locks are already installed, remove the push-to-lock assemblies by loosening slide adjusting screws and sliding the wheel lock assembly out of the clamp. Leave the clamp in place, and skip to step 5. If there are no wheel locks mounted already, proceed with step 4.
4. Attach Wheel Lock clamps (Item 9) to roller assembly in the desired location on each side of the chair using 5/16" hex bolts (Item 2).
5. Attach the left and right Remote Lock Assemblies (item 4) to the slide bars using the Attendant Wheel Lock Spacer Blocks (item 3), M6 x 60 screws (item 6), lock nuts (item 5), and flat washers (item 7). Smaller wheels will need to have the slide bar oriented forward: larger wheels need the slide bar oriented rearward. Tighten bolts. Slide the lock assemblies into the wheel lock clamps.
6. Re-install wheels and slide the remote lock assemblies rearward until the friction block of the remote lock is approximately 1/4" (6mm) away from the tire when unlocked. If the lock cannot be adjusted to this position, you will need to adjust the position of the wheel lock clamp until it can be adjusted as stated. Once locks are properly positioned, tighten clamp bolts (item 8).
7. Attach cables to remote lock assemblies by sliding the stud at the end of the cable into the slot in the remote lock assembly. Pull back on the cable sheath and slide the end of the cable sheath into the pocket on the attendant wheel lock spacer block (item 3) as shown. Be sure that the cables are routed away from all moving parts. Attach the cables into place on the chair with zip-ties provided. If not already equipped, axles with spacers will need to be used on the rear wheels.
8. Adjust the cable adjustment screws (item 10) as necessary to ensure that the wheel locks can get to their fully extended position when the pedal is engaged. Position of the remote lock assembly may need to be fine tuned to optimize the force needed to engage the pedal, depending on tire type. If excessive force is needed to engage the pedal, cable life may be reduced. Once proper adjustment is attained, lock cable adjustment screw in position by tightening jam nuts against mounting block.



R. LAP BELT INSTRUCTIONS 52 53 54 55

NOTE– Lap belts are fitted as positional aids, and are not suitable as transportation restraints.

Positioning Belt Kit

The positioning belt kit contains: one positioning belt (A), three tri glide buckles (B), two cable ties (C)

1. To assemble the positioning belt, take the positioning belt strap and thread through the tri-glide. Repeat on both ends of positioning belt.
2. To fit the positioning belt to the chair, take the positioning belt strap and wrap around the back post.
3. Thread the positioning belt back through the tri-glide to form a loop around the back post. Thread positioning strap through tri-glide as shown.
4. To secure the positioning belt to the chair: Take one of the cable ties supplied and thread through the positioning belt strap. Then wrap around the frame and fasten together. DO NOT over tighten positioning belt. Repeat steps 2-4 with both ends of positioning belt.
5. To adjust the positioning belt use the tri-glide buckles and the fastening buckle.
6. The positioning belt should be adjusted so the fastening buckle is situated in the middle of the stomach.
7. The positioning belt should be adjusted so a hand can be placed between the user and the belt.

⚠ WARNING

The positioning belt must only be fitted by an approved Sunrise Medical dealer/agent. The positioning belt should only be adjusted by a professional, or a Sunrise Medical approved dealer/agent. The positioning belt must be checked on a daily basis to ensure it is adjusted correctly (see step 6) and is free from any obstruction or adverse wear. Sunrise Medical does not encourage the transportation of any person in a vehicle using this positioning belt as a method of restraint. Please see Sunrise Medical transit booklet for further advice on transportation.

Lap Belt Maintenance

Check lap belt and securing components at regular intervals for any sign of frays or damage. Replace if necessary.

NOTE– The lap belt should be adjusted to suit the end user as detailed above. Sunrise Medical recommends that the length and fit of the belt be checked on a regular basis to reduce the risk of the end user inadvertently re-adjusting the belt to an excessive length.

S. CHECK-OUT

Once the wheelchair is assembled and adjusted, it should roll smoothly and easily. All accessories should also perform smoothly. If you have any problems, follow these procedures:

1. Review assembly and adjustment sections to make sure the chair was properly prepared.
2. Review troubleshooting guide.
3. If your problem persists, contact your authorized supplier. If you still have a problem after contacting your authorized supplier, contact Sunrise customer service. See the introduction page for details on how to contact your authorized supplier or Sunrise customer service.

T. LIMB SUPPORT 56

See Swing Away Hangers/Footrests (Pg. 16) for installation/removal from chair.

1. Height Adjustment 57

- a. Loosen 2 screws (A), do not remove, slide post up or down to desired height.
- b. Re-tighten screws.

2. Angle Adjustment

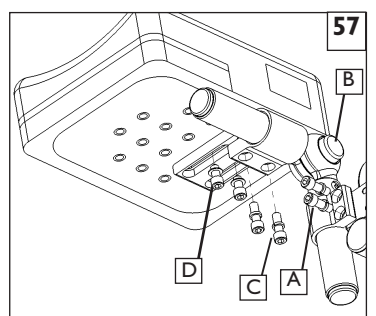
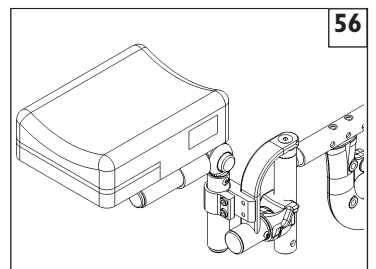
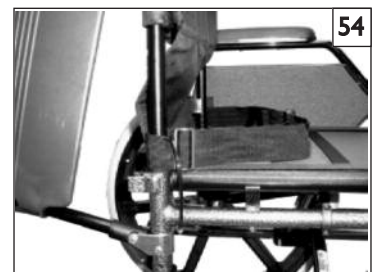
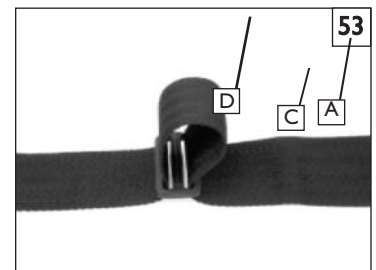
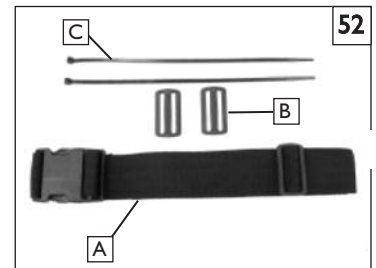
- a. Press button (B) adjust up or down to desired angle, release button.

3. Length Adjustment

- a. Loosen 2 screws (C), do not remove, slide clamp forward or back for desired length.
- b. Re-tighten screws.

4. Additional Width or Length Adjustment

- a. Remove 2 screws (D), reposition to desired setting and replace screws.
- b. Tighten securely.



A. FOR LIFETIME

Frame and cross-brace (if applicable) warranty:

1. Although the anticipated useful service time of this wheelchair is five years, Sunrise guarantees the frame and cross brace against defects in material and workmanship for life or for as long as the original purchaser owns the chair.
2. This warranty does not apply if:
 - a. The chair is subject to abuse
 - b. The chair is not maintained as recommended in the owner's manual
 - c. The chair is transferred to a different person from the original owner

B. FOR ONE (1) YEAR

We warrant all Sunrise-made parts and components of this wheelchair against defects in materials and workmanship for one year from the date of first consumer purchase.

C. LIMITATIONS

1. We do not warrant:
 - a. Tires and tubes, upholstery, pads and push-handle grips.
 - b. Damage from neglect, accident, misuse, or from improper installation or repair.
 - c. Products modified without Sunrise Medicals express written consent.
 - d. Damage from exceeding the weight limit.
2. This warranty is VOID if the original chair serial number tag is removed or altered.
3. This warranty applies in the USA only. Check with your supplier to find out if international warranties apply.
4. This warranty is not transferable and only applies to the first consumer purchase of this wheelchair through an authorized Sunrise Medical dealer.

D. WHAT WE WILL DO

Our sole liability is to repair or replace covered parts. This is the exclusive remedy for consequential damages.

E. WHAT YOU MUST DO

1. Obtain from us, while this warranty is in effect, prior approval for return or repair of covered parts.
2. Return the wheelchair or part(s), freight pre-paid, to Sunrise Mobility Products Division at: 2842 Business Park Avenue, Fresno, CA 93727-1328.
3. Pay the cost of labor to repair, remove or install parts.

F. NOTICE TO CONSUMER

1. If allowed by law, this warranty is in place of any other warranty (written or oral, express or implied, including a warranty of merchantability, or fitness for a particular purpose).
2. This warranty gives you certain legal rights. You may also have other rights that vary from state to state.

Record your serial number here for future reference:

Sunrise Medical (US) LLC

2842 Business Park Ave.
Fresno, CA 93727
USA
(800) 333-4000
www.sunrisemedical.com

Sunrise Medical, Inc.

237 Romina Drive, Unit 3
Concorde, Ontario L4K 4V3
CANADA
(800) 263-3390
www.sunrisemedical.ca

Sunrise Medical Limited

Thorns Road, Brierley Hill,
West Midlands,
DY5 2LD, England
Phone: 0845 605 66 88
Fax: 0845 605 66 89
www.sunrisemedical.com

Sunrise Medical GmbH+Co.KG

Kahlbachring 2-4
D-69254 Malsch/Heidelberg
DEUTSCHLAND
Tel.: +49 (0) 72 53/980-0
Fax: +49 (0) 72 53/980-111
www.sunrisemedical.com

Sunrise Medical S.L.

Polígono Bakiola, 41
48498 Arrankudiaga – Vizcaya
ESPAÑA
Tel.: +34 (0) 9 0214 24 34
Fax: +34 (0) 9 46 481575
www.sunrisemedical.es

Sunrise Medical S.A.

ZAC de la Vrillonnerie
17 Rue de Michaël Faraday
37170 Chambray Lès Tours
FRANCE
Tel.: +33 (0) 247 55 44 00
Fax: +33 (0) 247 55 44 03
www.sunrisemedical.com

Sunrise Medical Srl

Via Riva 20, Montale
29122 Piacenza (PC)
ITALY
Tel.: +39 (0) 05 23-57 3111
Fax: +39 (0) 05 23-570 60
www.sunrisemedical.it

Sunrise Medical A.G.

Lückhalde 14
3074 Muri bei Bern
SCHWEIZ
Tel.: +41 (0) 31-958-38 38
Fax: +41 (0) 31-958-38 48
www.sunrisemedical.ch

Sunrise Medical AS

Dynamitveien 14 B, 1400 Ski
T: 66 96 38 00
Faks: 66 96 38 80
E: post@sunrisemedical.no
www.sunrisemedical.no

Sunrise Medical AB

Box 9232
400 95 Göteborg
Besöksadress: Britta
Sahlgrenska 8A, Västra Frölunda
SWEDEN
Tel: +46 (0) 31-748 37 00
Fax: +46 (0) 31-748 37 37
www.sunrisemedical.se

Sunrise Medical B.V.

Groningenhaven 18-20
3433 PE Nieuwegein
The NETHERLANDS
Tel.: +31 (0)30 – 60 82 100
E: info@sunrisemedical.nl
www.sunrisemedical.com

Sunrise Medical Australia Pty Ltd.

6 Healey Circuit, Huntingwood NSW 2148
Phone: (02) 9678 6600
Email: enquiries@sunrisemedical.com.au

Sunrise Medical QLD

15 Leda Drive, Burleigh Heads QLD 4220
Phone: (07) 5576 0888
Email: enquiries@sunrisemedical.com.au



This product is manufactured to comply with the 'Medical Device Directive' 93/42/EEC.

Questo prodotto è stato fabbricato in conformità alla direttiva 93/42/CEE relativa ai dispositivi medici.

Denna produkt har tillverkats i enlighet med EU:s direktiv om medicintekniska produkter nummer 93/42/EEC.

Dieses Produkt ist in Konformität mit der 'Richtlinie für Medizinprodukte' 93/42/EEC hergestellt.