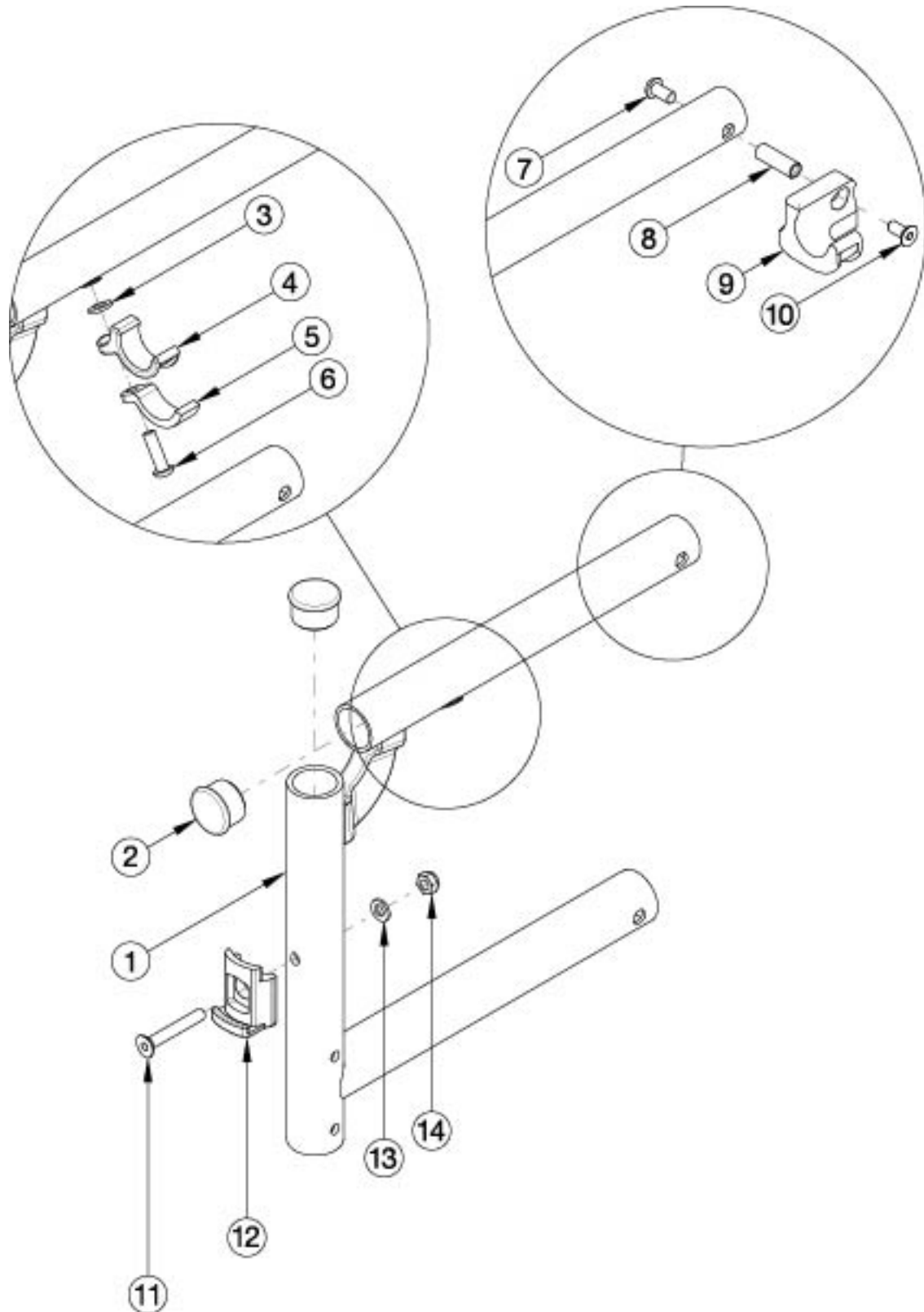


# Catalyst Swing Away Front Frame



This front frame design effective January 25th, 2021. 16" and 18" seat depths use the same front frames. 17" and 19" seat depths use the same front frames. Frame assemblies are based on Seat Depth. If switching to a new Seat Depth, new Height Adjustable T-Arms or Height Adjustable Flip Back T-Arms may be needed. If chair has Flip Back or is an AADL chair, select a frame assembly with the Flip Back Arm Modification. If retrofitting from a Fixed Front Frame, new caster housings with attaching hardware and latch blocks with hardware are required. If quoting a Right Front Frame for Australia or New Zealand, 122921 is required when transit is not present.

Item Number	Part Number	Description	Quantity
3-6	501005	Seat Hook and Support Hardware Kit, Standard, Catalyst <i>This kit contains quantity of 1 each</i>	1
7, 8, 9a, 10	111569	Seat Hook and Support Hardware Kit Seating System Right Front Frame / Left Rear Frame Catalyst <i>This kit contains quantity of 1 each</i>	1
7, 8, 9b, 10	111570	Seat Hook and Support Hardware Kit, Seating System Left Front Frame / Right Rear Frame Catalyst <i>This kit contains quantity of 1 each</i>	1
1a, 2	100086_ _ _	Frame Assembly, Catalyst Front, Left 14 _ _ _	1
1b, 2	100087_ _ _	Frame Assembly, Catalyst Front, Left 15 _ _ _	1
1c, 2	100088_ _ _	Frame Assembly, Catalyst Front, Left 16 _ _ _	1
1d, 2	100089_ _ _	Frame Assembly, Catalyst Front, Left 17 _ _ _	1
1e, 2	501605_ _ _	Frame Assembly, Catalyst Front, Left 18 _ _ _	1
1f, 2	501606_ _ _	Frame Assembly, Catalyst Front, Left 19 _ _ _	1
1g, 2	100090_ _ _	Frame Assembly, Catalyst Front, Left 20 _ _ _	1
1h, 2	100168_ _ _	Frame Assembly, Catalyst Front, Right 14 _ _ _	1
1i, 2	100169_ _ _	Frame Assembly, Catalyst Front, Right 15 _ _ _	1
1j, 2	100170_ _ _	Frame Assembly, Catalyst Front, Right 16 _ _ _	1
1k, 2	100171_ _ _	Frame Assembly, Catalyst Front, Right 17 _ _ _	1
1l, 2	501607_ _ _	Frame Assembly, Catalyst Front, Right 18 _ _ _	1
1m, 2	501608_ _ _	Frame Assembly, Catalyst Front, Right 19 _ _ _	1
1n, 2	100172_ _ _	Frame Assembly, Catalyst Front, Right 20 _ _ _	1
1c, 2	114305_ _ _	Frame Assembly, Catalyst Front with Flip Back Arm Modification, Left 16 _ _ _	1
1d, 2	114306_ _ _	Frame Assembly, Catalyst Front with Flip Back Arm Modification, Left 17 _ _ _	1
1e, 2	114343_ _ _	Frame Assembly, Catalyst Front with Flip Back Arm Modification, Left 18 _ _ _	1
1f, 2	114344_ _ _	Frame Assembly, Catalyst Front with Flip Back Arm Modification, Left 19 _ _ _	1

Item Number	Part Number	Description	Quantity
1g, 2	114307_ _ _ _	Frame Assembly, Catalyst Front with Flip Back Arm Modification, Left 20 _ _ _ _	1
1j, 2	114315_ _ _ _	Frame Assembly, Catalyst Front with Flip Back Arm Modification, Right 16 _ _ _ _	1
1k, 2	114316_ _ _ _	Frame Assembly, Catalyst Front with Flip Back Arm Modification, Right 17 _ _ _ _	1
1l, 2	114345_ _ _ _	Frame Assembly, Catalyst Front with Flip Back Arm Modification, Right 18 _ _ _ _	1
1m, 2	114346_ _ _ _	Frame Assembly, Catalyst Front with Flip Back Arm Modification, Right 19 _ _ _ _	1
1n, 2	114317_ _ _ _	Frame Assembly, Catalyst Front with Flip Back Arm Modification, Right 20 _ _ _ _	1
2	100804	Tube End Plug 1" <i>Quantity 2 when omitting hangers</i>	1
3	100831	1/2" Washer OD .040" Thick	1
4	000003	Seat Hook, Catalyst	1
5	000004	Seat Hook Support, Catalyst	1
6	100668	M6 x 20 CLS10.9 BTN SHCS ZC w/Patch	1
7	100667	M6 x 12 BTN SHCS BLKZC w/Patch	1
8	000065	M6 x 23.68 Threaded Barrel	1
9a	000960R	Seat Hook Open Frame Right Front Frame / Left Rear Frame, Catalyst	1
9b	000960L	Seat Hook Open Frame Left Front Frame / Right Rear Frame, Catalyst	1
10	101594	M6 x 14 CLS10.9 DIN7991 FSHCS BLKZC w/Patch	1
11	101819	M6 x 40 FHCS Blk Zn	1
12	000336	Latch Block	1
13	100746	M6 Flat Washer Blk Zn	1
14	100658	M6 Nylock Nut Blk Zn	1
	122921	Not AS/NZS 3696.19 Compliant On-Chair Label with Instruction	1

Matte Finish	
Code	Color Name
CGM	Charcoal Gray
EGM	Emerald Green
GGM	Graphite Gray*
IBM	Iridescent Burgundy
INM	Iridescent Navy
AGM	Military Green**
RRM	Retro Red
RBM	Royal Blue
SBM	Shadow Black
SWM	Smooth White

\* Discontinued Color

\*\* Formerly called Army Green

Gloss Finish	
Code	Color Name
BLK	Black
BLU	Blue
SKY	Blue Skies
BRO	Bright Orange*
PNK	Bubblegum Pink
BUR	Burgundy*
CBL	Candy Blue
PUR	Candy Purple
RED	Candy Red
COP	Copper
DPR	Deep Purple*
EBL	Electric Blue*
GRN	Forest Green*
FUS	Fuchsia*
GSM	Granny Smith
MTF	Metallic Fuchsia*
MOR	Metallic Orange
ORG	Orange*
SAP	Sapphire*
SIL	Silver
TEA	Teal
YLW	Yellow
FLM	Graphic Image Transfer