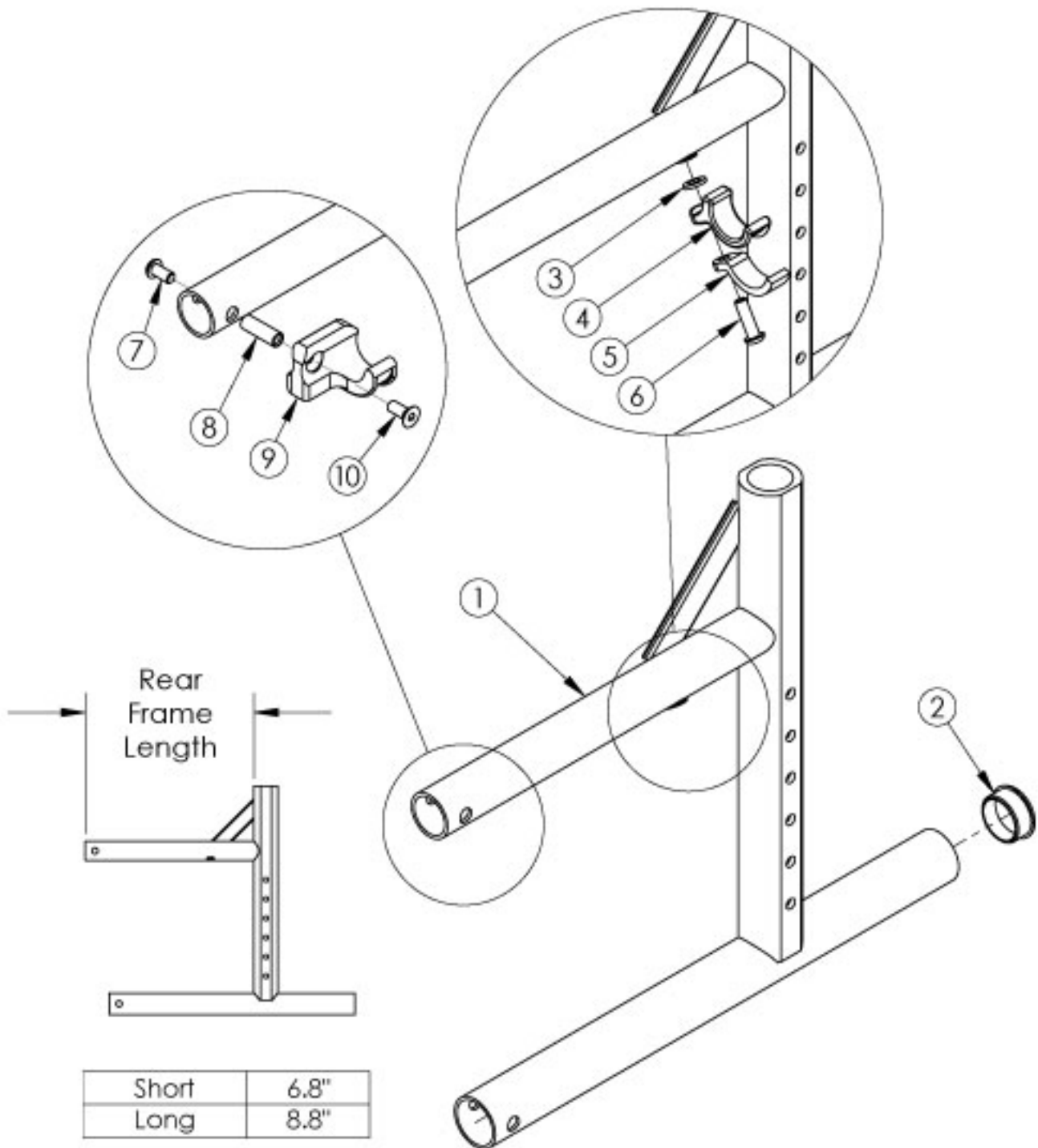


# Catalyst 4 Rear Frame



*If chair has any type of direct mounted side guards, select frame assembly with Side Guard Modification. Use the short frame for 14-17" Seat Depths. Use the long frame for 18-20" Seat Depths. If switching to a new Seat Depth, new Height Adjustable Flip Back T-Arms may be needed.*

Item Number	Part Number	Description	Quantity
3, 4, 5, 6a	501005	Seat Hook and Support Hardware Kit, Standard, Catalyst <i>Used with Standard Weight Capacity. This kit contains quantity of 1 each</i>	1
3, 4, 5, 6b	114528	Seat Hook and Support Hardware Kit, Standard, for Heavy Duty Catalyst <i>Used with Heavy Duty / 350 lbs Weight Capacity. This kit contains quantity of 1 each</i>	1
7, 8, 9a, 10	111569	Seat Hook and Support Hardware Kit Seating System Right Front Frame / Left Rear Frame Catalyst <i>This kit contains quantity of 1 each</i>	1
7, 8, 9b, 10	111570	Seat Hook and Support Hardware Kit, Seating System Left Front Frame / Right Rear Frame Catalyst <i>This kit contains quantity of 1 each</i>	1
1a, 2	100184_ _ _	Frame Assm Cat 4 Rear Left Short _ _ _	1
1c, 2	100182_ _ _	Frame Assm Cat 4 Rear Right Short _ _ _	1
1b, 2	100185_ _ _	Frame Assm Cat 4 Rear Left Long _ _ _	1
1d, 2	100183_ _ _	Frame Assm Cat 4 Rear Right Long _ _ _	1
1a, 2	114404_ _ _	Frame Assm Cat 4 Rear with Side Guard Mount Modification Left Short _ _ _	1
1c, 2	114402_ _ _	Frame Assm Cat 4 Rear with Side Guard Mount Modification Right Short _ _ _	1
1b, 2	114405_ _ _	Frame Assm Cat 4 Rear with Side Guard Mount Modification Left Long _ _ _	1
1d, 2	114403_ _ _	Frame Assm Cat 4 Rear with Side Guard Mount Modification Right Long _ _ _	1
2	100532	Tube End Plug 1 1/8"	1
3	100831	1/2" Washer OD .040" Thick	1
4	000003	Seat Hook, Catalyst	1
5	000004	Seat Hook Support, Catalyst	1
6a	100668	M6 x 20 CLS10.9 BTN SHCS ZC w/Patch <i>Used with Standard Weight Capacity</i>	1
6b	122970	M6 x 1.0 x 20, CLS 10.9, BLZ, SHCS w/Patch <i>Used with Heavy Duty / 350 lbs Weight Capacity</i>	1
7	100667	M6 x 12 BTN SHCS BLKZC w/Patch	1
8	000065	M6 x 23.68 Threaded Barrel	1
9a	000960R	Seat Hook Open Frame Right Front Frame / Left Rear Frame, Catalyst	1
9b	000960L	Seat Hook Open Frame Left Front Frame / Right Rear Frame, Catalyst	1
10	101594	M6 x 14 CLS10.9 DIN7991 FSHCS BLKZC w/Patch	1

Matte Finish	
Code	Color Name
CGM	Charcoal Gray
EGM	Emerald Green
GGM	Graphite Gray*
IBM	Iridescent Burgundy
INM	Iridescent Navy
AGM	Military Green**
RRM	Retro Red
RBM	Royal Blue
SBM	Shadow Black
SWM	Smooth White

\* Discontinued Color

\*\* Formerly called Army Green

Gloss Finish	
Code	Color Name
BLK	Black
BLU	Blue
SKY	Blue Skies
BRO	Bright Orange*
PNK	Bubblegum Pink
BUR	Burgundy*
CBL	Candy Blue
PUR	Candy Purple
RED	Candy Red
COP	Copper
DPR	Deep Purple*
EBL	Electric Blue*
GRN	Forest Green*
FUS	Fuchsia*
GSM	Granny Smith
MTF	Metallic Fuchsia*
MOR	Metallic Orange
ORG	Orange*
SAP	Sapphire*
SIL	Silver
TEA	Teal
YLW	Yellow
FLM	Graphic Image Transfer