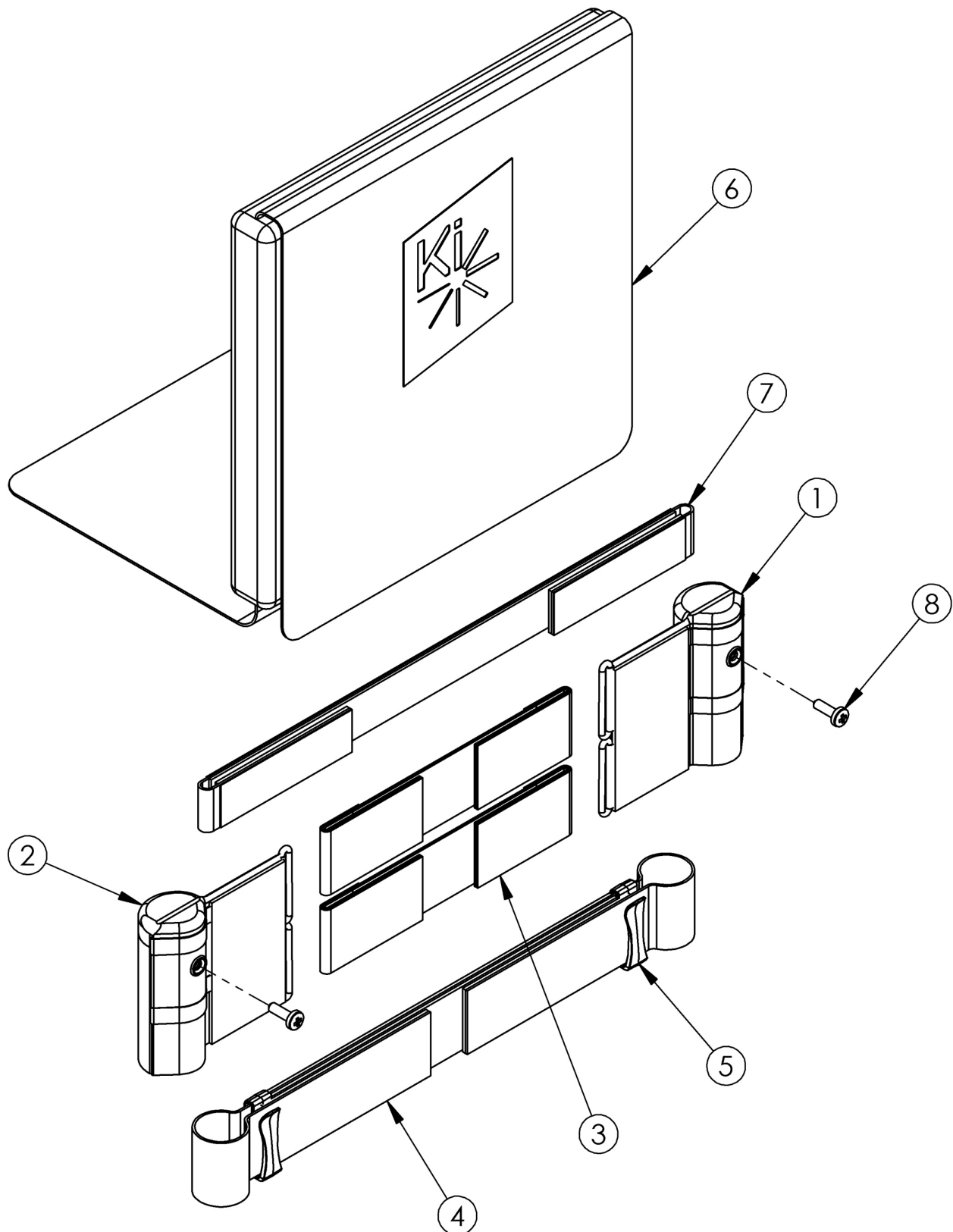


Discontinued Klik Tension Adjustable Back Upholstery



Tension Straps (7a-7d) are used with the combination of Fold Down Push Handle and Tension Adjustable Back Upholstery. Straps are based on chair width.

Item Number	Part Number	Description	Quantity
4a	002534	Back Upholstery Strap 21.3" <i>Used on 10" chair widths or 11" chair widths with Height Adjustable 1" Inward Offset backposts</i>	2
4b	002535	Back Upholstery Strap 23.3" <i>Used on 11" chair widths or 12" chair widths with Height Adjustable 1" Inward Offset backposts</i>	2
4c	002536	Back Upholstery Strap 25.3" <i>Used on 12" chair widths or 13" chair widths with Height Adjustable 1" Inward Offset backposts</i>	2
4d	002537	Back Upholstery Strap 27.3" <i>Used on 13" chair widths or 14" chair widths with Height Adjustable 1" Inward Offset backposts</i>	2
4e	002538	Back Upholstery Strap 29.3" <i>Used on 14" chair widths or 15" chair widths with Height Adjustable 1" Inward Offset backposts</i>	2
4f	002539	Back Upholstery Strap 31.3" <i>Used on 15" chair widths or 16" chair widths with Height Adjustable 1" Inward Offset backposts</i>	2
4g	002540	Back Upholstery Strap 33.3" <i>Used on 16" chair widths or 17" chair widths with Height Adjustable 1" Inward Offset backposts</i>	2
5	102736	Quick-Slip Keeper	4
6a	002485	Backrest Cover 10" Rigid x 9-12"	1
6b	002486	Backrest Cover 10" Rigid x 11-14"	1
6c	002487	Backrest Cover 10" Rigid x 13-16"	1
6d	002488	Backrest Cover 10" Rigid x 15-18"	1
6e	002489	Backrest Cover 11" Rigid x 9-12"	1
6f	002490	Backrest Cover 11" Rigid x 11-14"	1
6g	002491	Backrest Cover 11" Rigid x 13-16"	1
6h	002492	Backrest Cover 11" Rigid x 15-18"	1
6i	002493	Backrest Cover 12" Rigid x 9-12"	1
6j	002494	Backrest Cover 12" Rigid x 11-14"	1
6k	002495	Backrest Cover 12" Rigid x 13-16"	1
6l	002496	Backrest Cover 12" Rigid x 15-18"	1

Item Number	Part Number	Description	Quantity
6m	002497	Backrest Cover 13" Rigid / 14" Cat x 9-12"	1
6n	002498	Backrest Cover 13" Rigid / 14" Cat x 11-14"	1
6o	002499	Backrest Cover 13" Rigid / 14" Cat x 13-16"	1
6p	002500	Backrest Cover 13" Rigid - 14" CAT/Liberty x 15-18"	1
6q	002501	Backrest Cover 14" Rigid / 15" Cat x 9-12"	1
6r	002502	Backrest Cover 14" Rigid / 15" Cat x 11-14"	1
6s	002503	Backrest Cover 14" Rigid / 15" Cat x 13-16"	1
6t	002504	Backrest Cover 14" Rigid - 15" CAT/Liberty x 15-18"	1
6u	002505	Backrest Cover 15" Rigid / 16" Cat x 9-12"	1
6v	002506	Backrest Cover 15" Rigid / 16" Cat x 11-14"	1
6w	002507	Backrest Cover 15" Rigid / 16" Cat x 13-16"	1
6x	002508	Backrest Cover 15" Rigid - 16" CAT/Liberty x 15-18"	1
6y	002509	Backrest Cover 16" Rigid / 17" Cat x 9-12"	1
6z	002510	Backrest Cover 16" Rigid / 17" Cat x 11-14"	1
6aa	002511	Backrest Cover 16" Rigid / 17" Cat x 13-16"	1
6ab	002512	Backrest Cover 16" Rigid - 17" CAT/Liberty x 15-18"	1
7a	001748	Tension Strap Folding Handle 9-11 Wide	1
7b	001749	Tension Strap Folding Handle 12-13 Wide	1
7c	001750	Tension Strap Folding Handle 14-15 Wide	1
7d	001751	Tension Strap Folding Handle 16-17 Wide	1
8	100734	M5 x 16 PHMS ZC	2