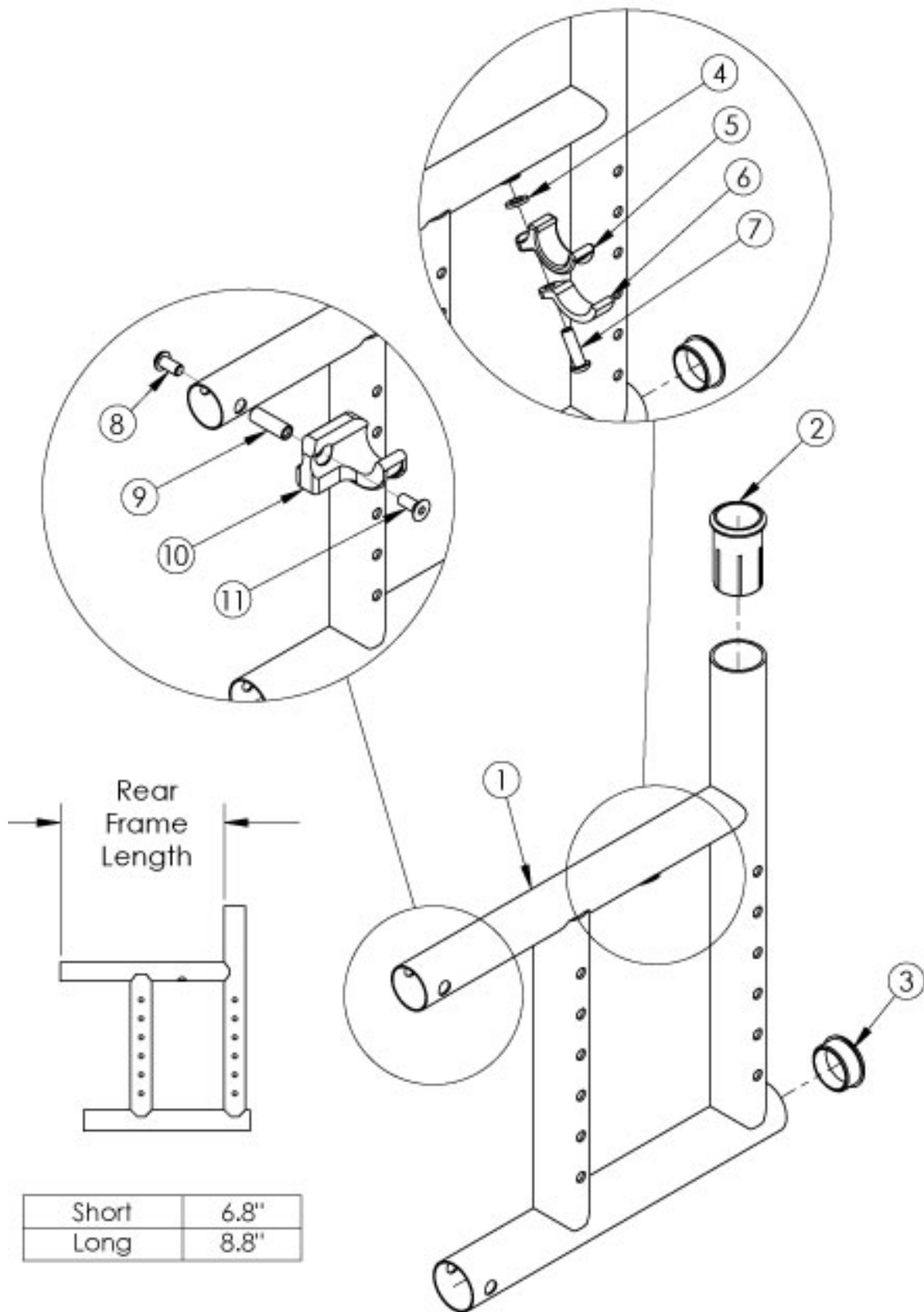


Catalyst 5Ti Rear Frame



<p>If chair has any type of direct mount side guards, select a frame assembly with Side Guard Mount Modification. <p>

Use the short frame for 14-17" Seat Depths. Use long the frame for 18-20" Seat Depths.<p>

If switching to a new Seat Depth, new Height Adjustable Flip Back T-Arms may be required.

Item Number	Part Number	Description	Quantity	Retail
4, 5, 6, 7a	501005	Seat Hook and Support Hardware Kit, Standard, Catalyst <i>Used with Standard Weight Capacity. This kit contains quantity of 1 each</i>	1	\$17.40
4, 5, 6, 7b	114528	Seat Hook and Support Hardware Kit, Standard, for Heavy Duty Catalyst <i>Used with Heavy Duty / 350 lbs Weight Capacity. This kit contains quantity of 1 each</i>	1	\$17.93
1c, 2, 3	100277	Frame Assm Cat TI Rear Left Short	1	\$560.18
1a, 2, 3	100275	Frame Assm Cat TI Rear Right Short	1	\$560.18
1d, 2, 3	100278	Frame Assm Cat TI Rear Left Long	1	\$560.18
1b, 2, 3	100276	Frame Assm Cat TI Rear Right Long	1	\$560.18
1c, 2, 3	114424	Frame Assm Cat TI Rear with Side Guard Mount Modification Left Short	1	\$560.18
1a, 2, 3	114422	Frame Assm Cat TI Rear with Side Guard Mount Modification Right Short	1	\$560.18
1d, 2, 3	114425	Frame Assm Cat TI Rear with Side Guard Mount Modification Left Long	1	\$560.18
1b, 2, 3	114423	Frame Assm Cat TI Rear with Side Guard Mount Modification Right Long	1	\$560.18
2	000030	Backrest Sleeve Cat	1	\$3.52
3	100532	Tube End Plug 1 1/8"	1	\$2.63
4	100831	1/2" Washer OD .040" Thick	1	\$1.58
5	000003	Seat Hook, Catalyst	1	\$7.70
6	000004	Seat Hook Support, Catalyst	1	\$6.55
7a	100668	M6 x 20 CLS10.9 BTN SHCS ZC w/Patch <i>Used with Standard Weight Capacity</i>	1	\$1.58
7b	101180	M6 x 20 SHCS BLK ZC <i>Used with Heavy Duty / 350 lbs Weight Capacity</i>	1	\$2.10
8	100667	M6 x 12 BTN SHCS BLKZC w/Patch	1	\$1.58
9	000065	M6 x 23.68 Threaded Barrel	1	\$4.13
10a	000960R	Seat Hook Open Frame Right Front Frame / Left Rear Frame, Catalyst	1	\$21.75
10b	000960L	Seat Hook Open Frame Left Front Frame / Right Rear Frame, Catalyst	1	\$21.75
11	101594	M6 x 14 CLS10.9 DIN7991 FSHCS BLKZC w/Patch	1	\$2.10