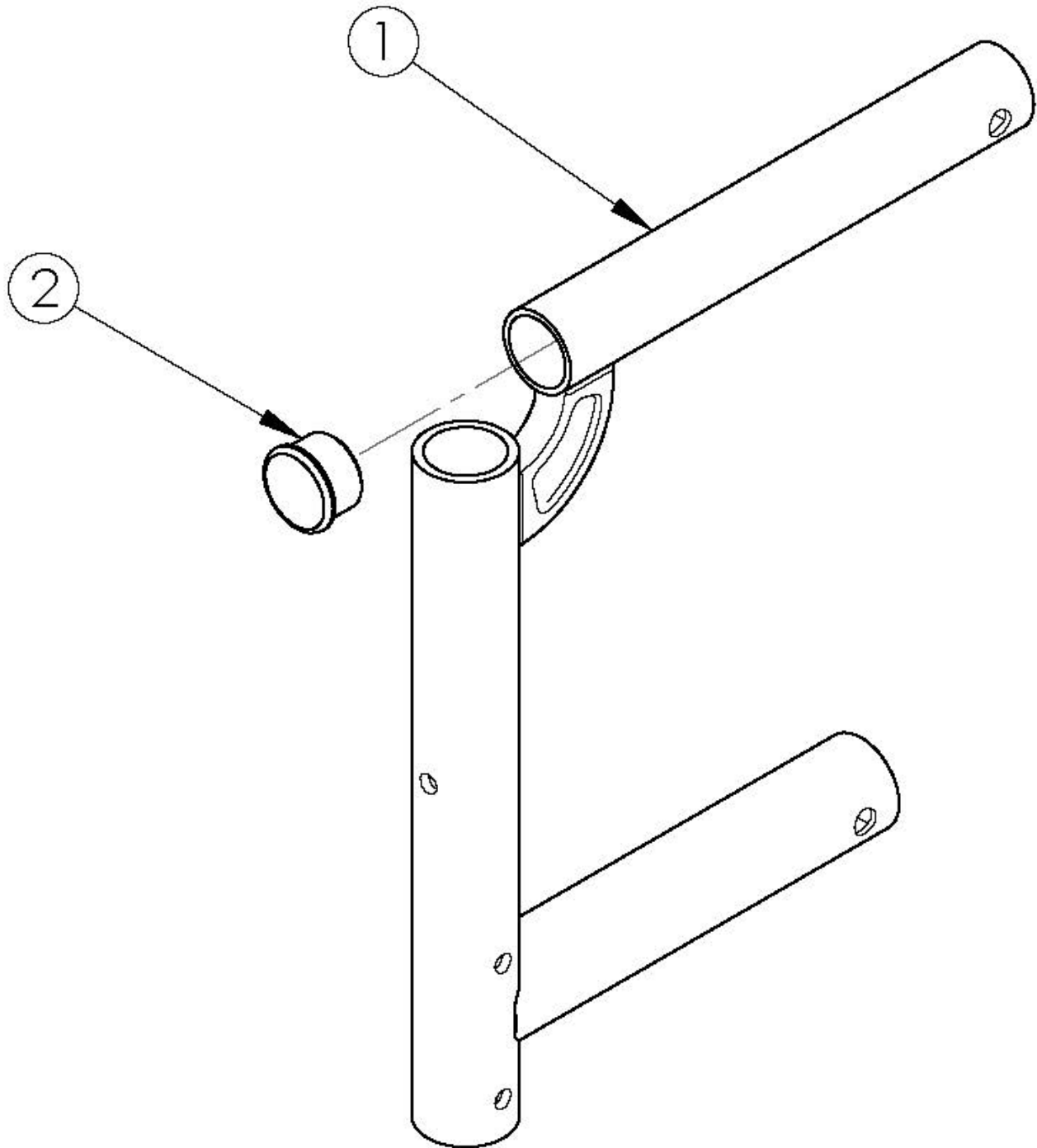


Spark Swing Away Front Frame



16" and 18" seat depths use the same front frames This front frame design effective January 25th, 2021 Frame Assemblies based on Frame Depth

Item Number	Part Number	Description	Quantity
1a, 2	101610_ _ _	Frame Assm Spark Front Left 12	1
1b, 2	501621_ _ _	Frame Assm Spark Front Left 13	1
1c, 2	101611_ _ _	Frame Assm Spark Front Left 14	1
1d, 2	501622_ _ _	Frame Assm Spark Front Left 15	1
1e, 2	101612_ _ _	Frame Assm Spark Front Left 16	1
1f, 2	501623_ _ _	Frame Assm Spark Front Left 17	1
1g, 2	501624_ _ _	Frame Assm Spark Front Left 18	1
1h, 2	101604_ _ _	Frame Assm Spark Front Right 12	1
1i, 2	501625_ _ _	Frame Assm Spark Front Right 13	1
1j, 2	101605_ _ _	Frame Assm Spark Front Right 14	1
1k, 2	501626_ _ _	Frame Assm Spark Front Right 15	1
1l, 2	101606_ _ _	Frame Assm Spark Front Right 16	1
1m, 2	501627_ _ _	Frame Assm Spark Front Right 17	1
1n, 2	501628_ _ _	Frame Assm Spark Front Right 18	1
2	100804	Tube End Plug 1"	1

Matte Finish	
Code	Color Name
CGM	Charcoal Gray
EGM	Emerald Green
GGM	Graphite Gray*
IBM	Iridescent Burgundy
INM	Iridescent Navy
AGM	Military Green**
RRM	Retro Red
RBM	Royal Blue
SBM	Shadow Black
SWM	Smooth White

* Discontinued Color

** Formerly called Army Green

Gloss Finish	
Code	Color Name
BLK	Black
BLU	Blue
SKY	Blue Skies
BRO	Bright Orange*
PNK	Bubblegum Pink
BUR	Burgundy*
CBL	Candy Blue
PUR	Candy Purple
RED	Candy Red
COP	Copper
DPR	Deep Purple*
EBL	Electric Blue*
GRN	Forest Green*
FUS	Fuchsia*
GSM	Granny Smith
MTF	Metallic Fuchsia*
MOR	Metallic Orange
ORG	Orange*
SAP	Sapphire*
SIL	Silver
TEA	Teal
YLW	Yellow
FLM	Graphic Image Transfer