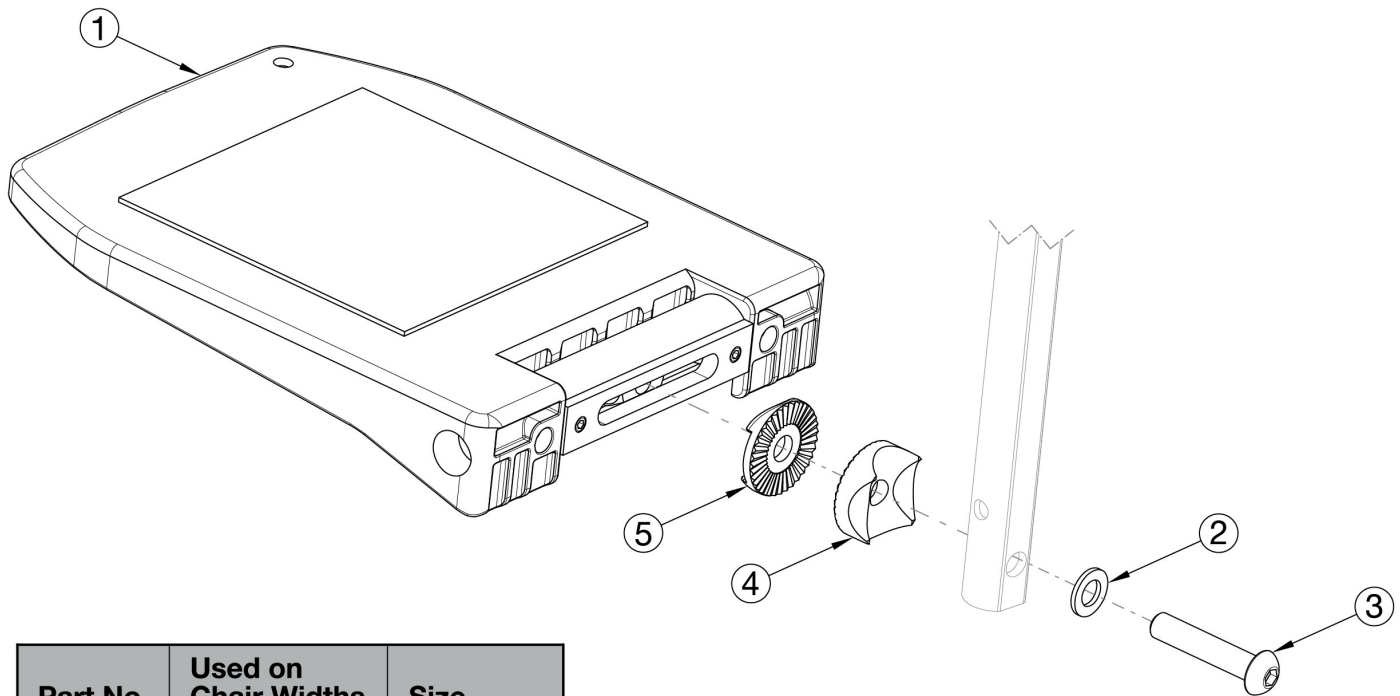


CR45 Footplates - Composite Angle Adjustable



Part No.	Used on Chair Widths	Size
003173	15" - 16"	6.3" x 6.3"
003174	17" - 18"	7.1" x 6.3"
003175	19" - 22"	8.1" x 6.3"

If changing to Composite Angle Adjustable Footplates, new extension tubes are required. Sizes for footplates are based on seat width. Only compatible with extension tube hangers.

Item Number	Part Number	Description	Quantity
2 - 5	503726	Extension Tube Hardware Assembly for Composite Angle Adjustable Footplate <i>Used only for Extension Tube Mount Hangers for Pro ELR assembly please go to Pro ELR PM page.</i>	1
1a	003173	Composite Angle Adjustable Footplate Small 15-16" Wide	1
1b	003174	Composite Angle Adjustable Footplate Medium 17-18" Wide	1
1c	003175	Composite Angle Adjustable Footplate Large 19-24" Wide	1
2	003188	Washer D8.4 x 1.6 MM	1
3	003189	Bolt M8 x 45MM, Galvanized Steel	1
4	003187	Locking Wheel w/Radius, R12.5 & R10, D30 x 11.3, Cast Steel, Black	1
5	003186	Locking Wheel w/Hexagon, D30 x 6.8/6, Cast Steel, Black	1