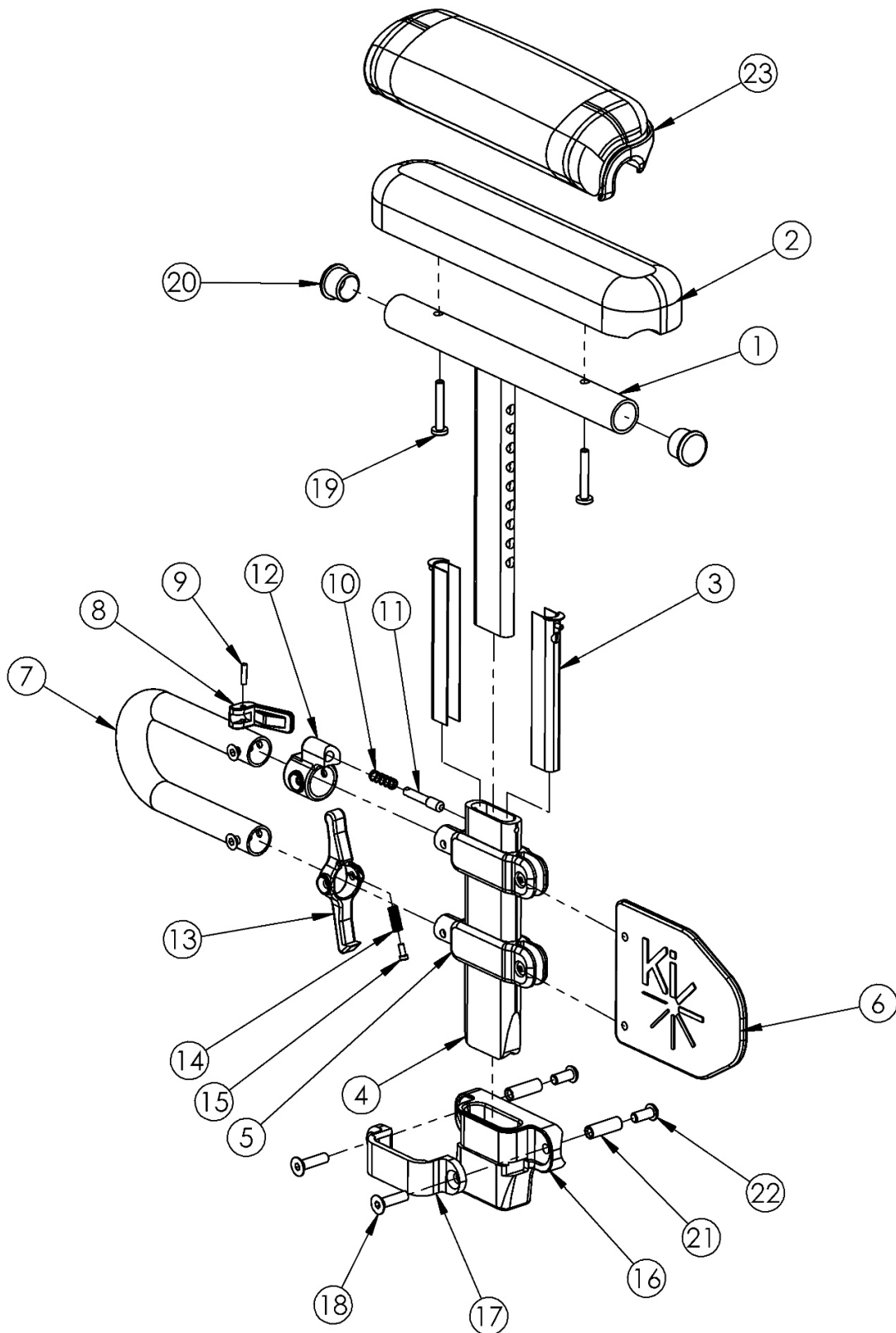


Spark Height Adjustable Low T-Arm



If retrofitting to Height Adjustable Low T-Arms, new rear frames are required <p>

If retrofitting to Height Adjustable Low T-Arms and One Arm Drive is present, a new drive shaft may be required. In addition to a new drive shaft, order the corresponding hardware kit: 109439 for Blade Style One Arm Drive, 503433 for Hex Style One Arm Drive or 112898 for Quick Release Style One Arm Drive

| Item Number | Part Number | Description | Quantity | Retail |
|---------------------------|-------------|---|----------|----------|
| 1a, 2b, 3-18, 19a, 20-22 | 113456 | Height Adj T-Arm Assm Low, Desk w/ Std Pad and Spark Receiver PAIR | 1 | \$440.32 |
| 1a, 2b, 3-18, 19a, 20-22 | 113435 | Height Adj T-Arm Assm Low, Desk w/ Std Pad and Spark Receiver Right | 1 | \$220.16 |
| 1a, 2b, 3-18, 19a, 20-22 | 113436 | Height Adj T-Arm Assm Low, Desk w/ Std Pad and Spark Receiver Left | 1 | \$220.16 |
| 1a, 2b, 3-15, 19a, 20 | 503167 | Height Adj T-Arm Assm Low, Desk w/ Std Pad Right | 1 | \$160.81 |
| 1a, 2b, 3-15, 19a, 20 | 503168 | Height Adj T-Arm Assm Low, Desk w/ Std Pad Left | 1 | \$160.81 |
| 1b, 2a, 3-18, 19a, 20-22 | 113457 | Height Adj T-Arm Assm Low, Full w/ Std Pad and Spark Receiver PAIR | 1 | \$440.32 |
| 1b, 2a, 3-18, 19a, 20-22 | 113437 | Height Adj T-Arm Assm Low, Full w/ Std Pad and Spark Receiver Right | 1 | \$220.16 |
| 1b, 2a, 3-18, 19a, 20-22 | 113438 | Height Adj T-Arm Assm Low, Full w/ Std Pad and Spark Receiver Left | 1 | \$220.16 |
| 1b, 2a, 3-15, 19a, 20 | 503169 | Height Adj T-Arm Assm Low, Full w/ Std Pad Right | 1 | \$160.81 |
| 1b, 2a, 3-15, 19a, 20 | 503170 | Height Adj T-Arm Assm Low, Full w/ Std Pad Left | 1 | \$160.81 |
| 1a, 3-18, 19b, 20-22, 23b | 113458 | Height Adj T-Arm Assm Low, Desk w/ Waterfall Pad and Spark Receiver PAIR | 1 | \$458.64 |
| 1a, 3-18, 19b, 20-22, 23b | 113439 | Height Adj T-Arm Assm Low, Desk w/ Waterfall Pad and Spark Receiver Right | 1 | \$229.32 |
| 1a, 3-18, 19b, 20-22, 23b | 113440 | Height Adj T-Arm Assm Low, Desk w/ Waterfall Pad and Spark Receiver Left | 1 | \$229.32 |
| 1a, 3-15, 19b, 20, 23b | 503183 | Height Adj T-Arm Assm Low, Desk w/ Waterfall Pad Right | 1 | \$169.97 |
| 1a, 3-15, 19b, 20, 23b | 503184 | Height Adj T-Arm Assm Low, Desk w/ Waterfall Pad Left | 1 | \$169.97 |
| 1b, 3-18, 19b, 20-22, 23a | 113459 | Height Adj T-Arm Assm Low, Full w/ Waterfall Pad and Spark Receiver PAIR | 1 | \$458.64 |
| 1b, 3-15, 19b, 20, 23a | 503185 | Height Adj T-Arm Assm Low, Full w/ Waterfall Pad Right | 1 | \$169.97 |
| 1b, 3-15, 19b, 20, 23a | 503186 | Height Adj T-Arm Assm Low, Full w/ Waterfall Pad Left | 1 | \$169.97 |
| 1a, 3-15, 20 | 002681 | Arm T Height Adj Low, Desk Right Assembly | 1 | \$134.01 |
| 1a, 3-15, 20 | 002682 | Arm T Height Adj Low, Desk Left Assembly | 1 | \$134.01 |
| 1b, 3-15, 20 | 002683 | Arm T Height Adj Low, Full Right Assembly | 1 | \$134.01 |
| 1b, 3-15, 20 | 002684 | Arm T Height Adj Low, Full Left Assembly | 1 | \$134.01 |
| 16-18, 21,22 | 505276 | Height Adjustable T-Arm Receiver Assembly 1" Spark | 1 | \$55.66 |
| 1a, 20 | 002648 | Post Weldment, T-Arm, Low, Desk | 1 | \$67.08 |

| Item Number | Part Number | Description | Quantity | Retail |
|-------------|-------------|---|----------|---------|
| 1b, 20 | 002649 | Post Weldment, T-Arm, Low, Full | 1 | \$69.35 |
| 8-12 | 500541 | Arm Height Adj T Upper Lever Assembly | 1 | \$40.56 |
| 2a | 100500 | Arm Pad Full | 1 | \$23.64 |
| 2b | 100501 | Arm Pad Desk | 1 | \$23.64 |
| 3 | 000090 | Height Adj T Armrest Shim | 2 | \$2.55 |
| 4 | 002105 | Tube, Outer, T-Arm, Low | 1 | \$29.62 |
| 5 | 000092 | Height Adj T Armrest Clamp | 2 | \$8.97 |
| 6 | 002107 | Sideguard, T-Arm, Low | 1 | \$8.10 |
| 7 | 002104 | Transfer Tube, T-Arm, Low | 1 | \$16.81 |
| 8 | 000098 | Height Adj Armrest Lever | 1 | \$3.58 |
| 9 | 200257 | Dowel Pin 1/8 x 1/2 | 1 | \$2.63 |
| 10 | 000134 | Height Adj Armrest Lever Spring | 1 | \$1.11 |
| 11 | 000099 | Height Adj Armrest Lever Pin | 1 | \$19.13 |
| 12 | 000096 | Height Adj T Armrest Pin Lock Housing | 1 | \$14.71 |
| 13 | 002106 | Lever, T-Arm, Low | 1 | \$3.47 |
| 14 | 000135 | Height Adj T Armrest Release Lever Spring | 1 | \$1.09 |
| 15 | 000152 | Height Adj T Armrest Release Spring Button | 1 | \$1.09 |
| 16 | 002723 | Height Adjustable T-Arm Receiver Spark | 1 | \$15.25 |
| 17 | 000088 | Height Adj T Armrest Bracket | 1 | \$27.42 |
| 18 | 100866 | M6 x 20 CLS12.9 DIN7991 FSHCS Blk Zc w/Patch | 2 | \$2.63 |
| 19a | 100696 | M5 x 30mm PPH Capscrew <i>Used with Standard Arm Pads</i> | 2 | \$1.58 |
| 19b | 100654 | M5 x 40 DIN7985 PH Pan HD M/S ZC <i>Used with Waterfall Arm Pads</i> | 2 | \$1.58 |
| 20 | 100803 | Tube End Plug 7/8" | 2 | \$1.58 |
| 21 | 000065 | M6 x 23.68 Threaded Barrel | 2 | \$4.13 |
| 22 | 100667 | M6 x 12 BTN SHCS BLKZC w/Patch | 2 | \$1.58 |
| 23a | 102452 | Waterfall Arm Pad Full | 1 | \$32.80 |

| Item Number | Part Number | Description | Quantity | Retail |
|-------------|-------------|------------------------|----------|---------|
| 23b | 102521 | Waterfall Arm Pad Desk | 1 | \$32.80 |