

Arcorail Assembly Instructions for REGULAR HOME STYLE beds (AR25)

FITS HOME STYLE METAL BED FRAMES
(1" - 1 3/4") IN HEIGHT



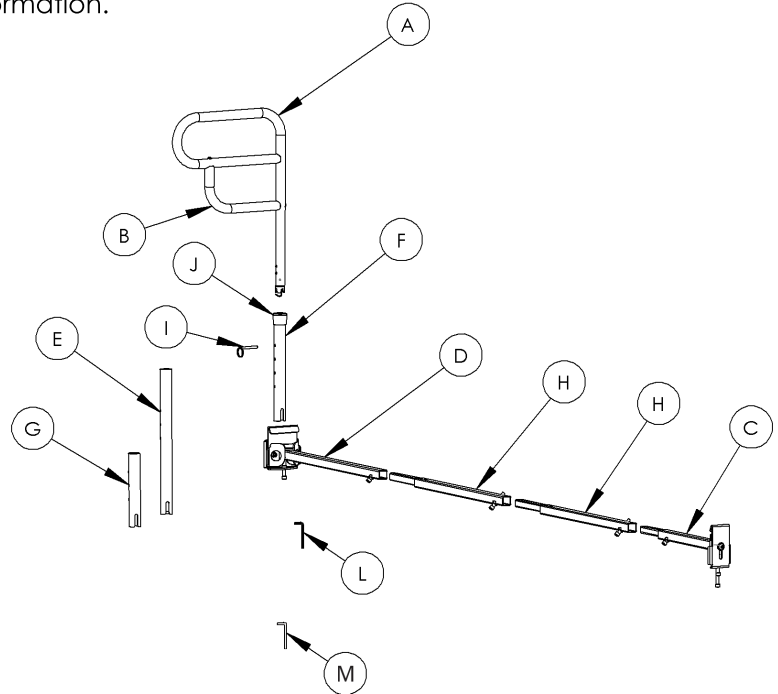
Regular Home Style beds have
ANGLE IRON FRAMES that are
horizontal and flat at the bottom.

Note: If your Home Style bed does not have a metal frame then use our M-Rail model.
www.hartmobility.com

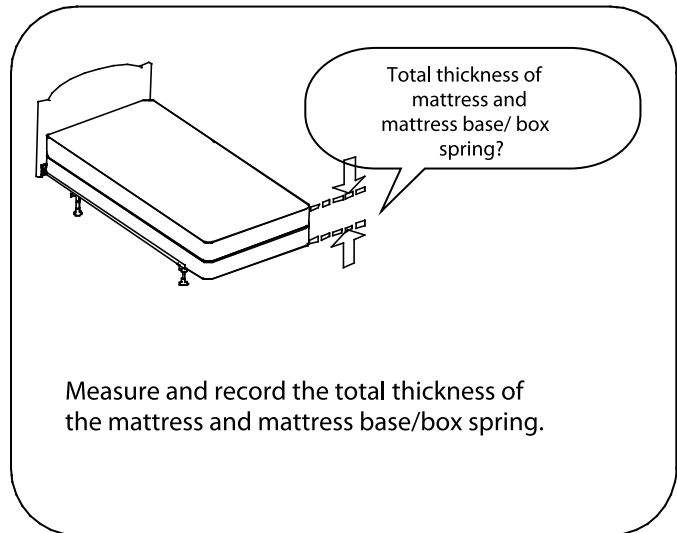
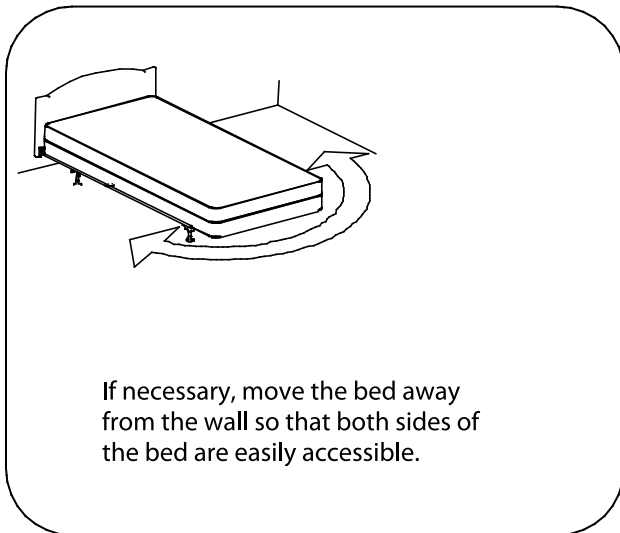
Please read the following instructions before you start to assemble the Arcorail bedside handrail.
This document contains important safety information.

Box Contents

Item	Qty.	Description
A	1	HANDLE
B	1	HANDLE ATTACHMENT
C	1	BACK ANCHOR ASSEMBLY
D	1	FRONT ANCHOR TUBE ASSEMBLY
E	1	LONG POST
F	1	MEDIUM POST
G	1	SHORT POST
H	2	EXTENSION TUBE
I	1	HEIGHT ADJUSTING PIN
J	1	POST CAP
L	1	3/16 ALLEN KEY
M	1	5/32 ALLEN KEY
N	1	LARGE HOME STYLE CLAMP
O	1	SMALL HOME STYLE CLAMP

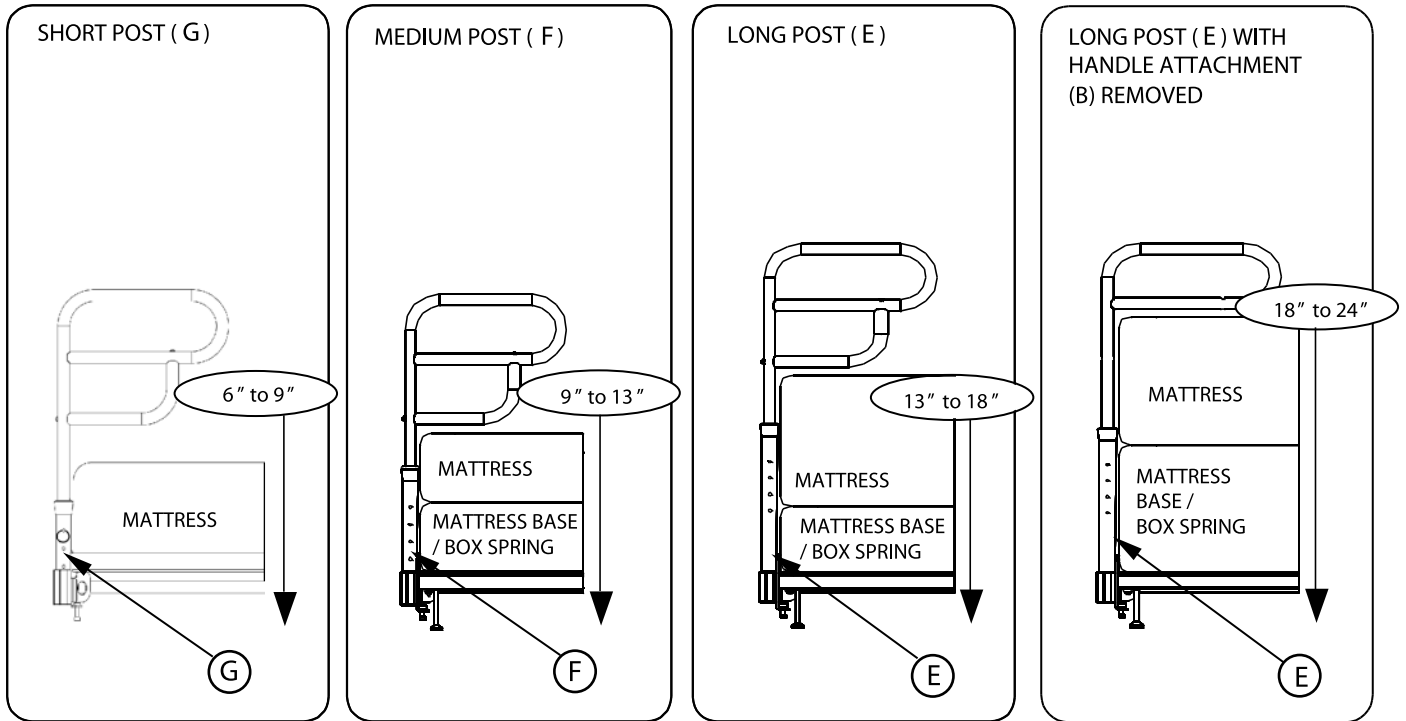


NOTE: ITEMS (N) AND (O) ARE PRE-INSTALLED

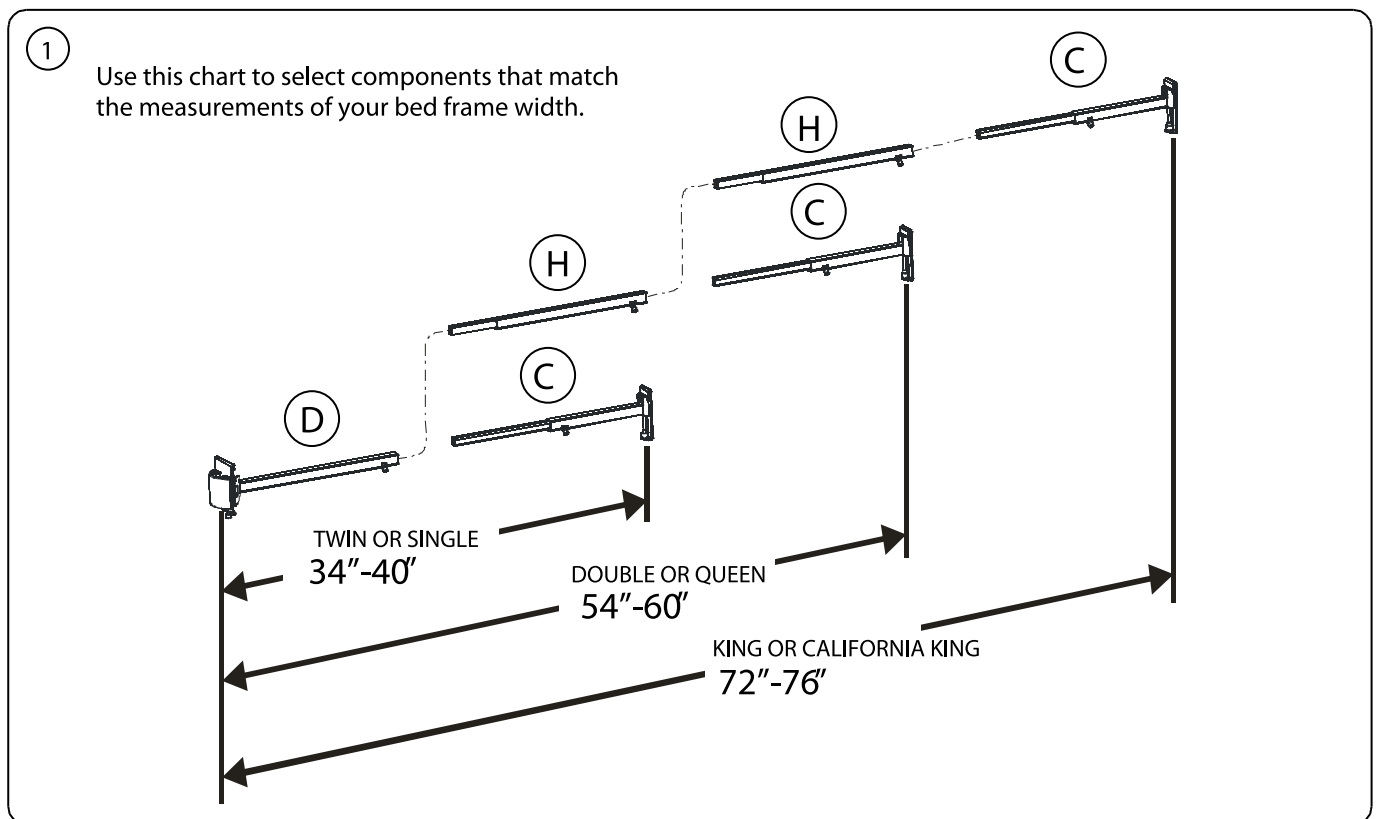


©2005 Hart Mobility, a division of Andrew J. Hart Enterprises Inc.
All rights reserved. Information in this document is subject to change without notice. No part of this document may be reproduced or transmitted in any form or by any means, electronic or mechanical, for any purpose, without the express written permission of Hart Mobility. Other products and company names herein may be the trademarks of their respective owners.
272AR25 Rev. 1 14/01/07

Pick Post Length & Handle Configuration

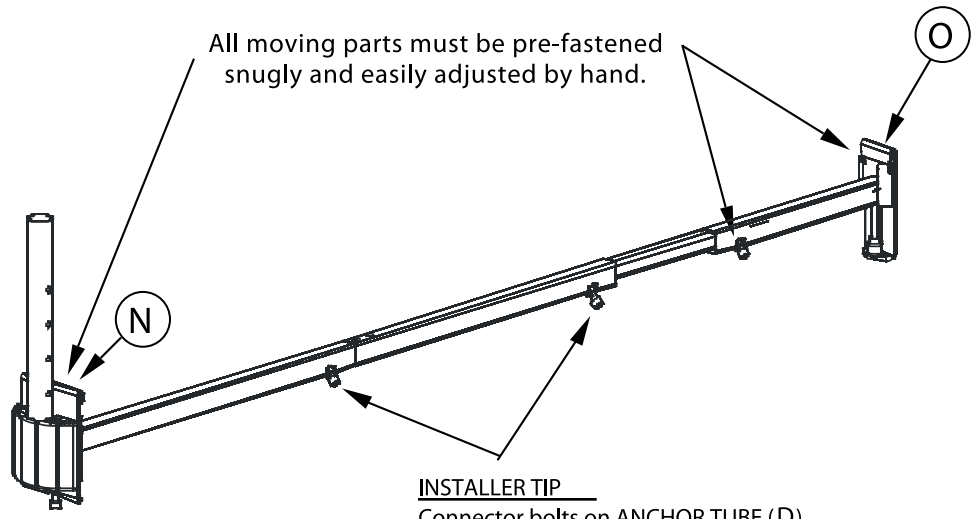


Pick Frame Width



©2005 Hart Mobility, a division of Andrew J. Hart Enterprises Inc.
 All rights reserved. Information in this document is subject to change without notice. No part of this document may be reproduced or transmitted in any form or by any means, electronic or mechanical, for any purpose, without the express written permission of Hart Mobility. Other products and company names herein may be the trademarks of their respective owners.
 272AR25 Rev. 1 14/01/07

2



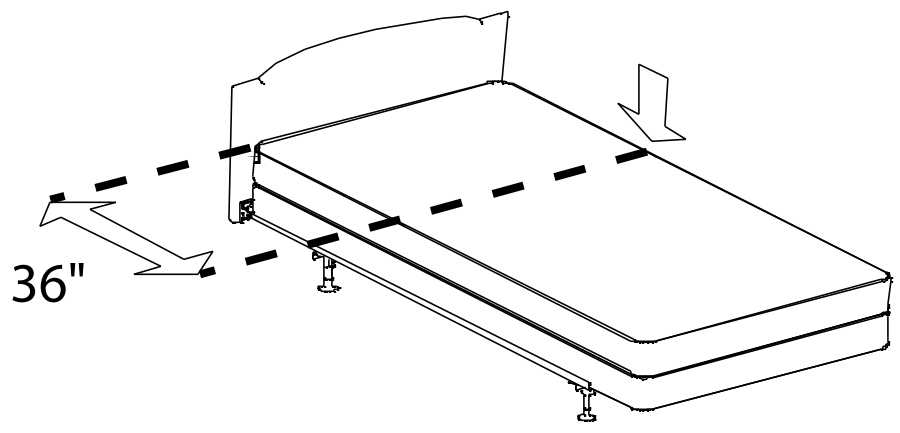
All moving parts must be pre-fastened snugly and easily adjusted by hand.

INSTALLER TIP
Connector bolts on ANCHOR TUBE (D) and CONNECTOR TUBES (H) (if used), must be firmly tightened before fitting.

Note: Two connector tubes (H) replace AR18

Select Installation Position

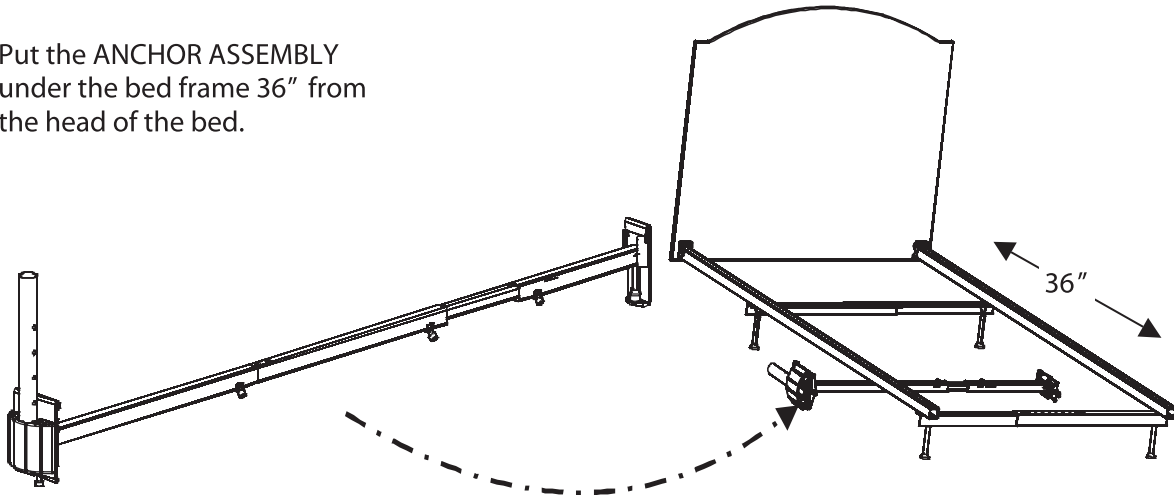
Mark the bed frame at the 36" dimension



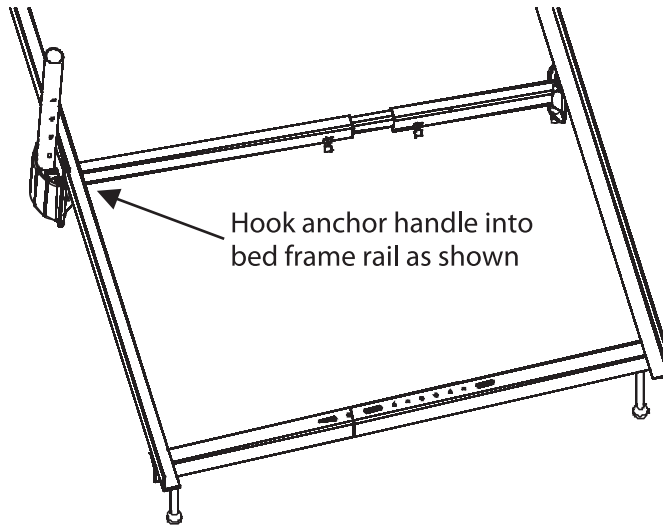
©2005 Hart Mobility, a division of Andrew J. Hart Enterprises Inc.
All rights reserved. Information in this document is subject to change without notice. No part of this document may be reproduced or transmitted in any form or by any means, electronic or mechanical, for any purpose, without the express written permission of Hart Mobility. Other products and company names herein may be the trademarks of their respective owners.
272AR25 Rev. 1 14/01/07

Fitting Arcorail Base to Frame

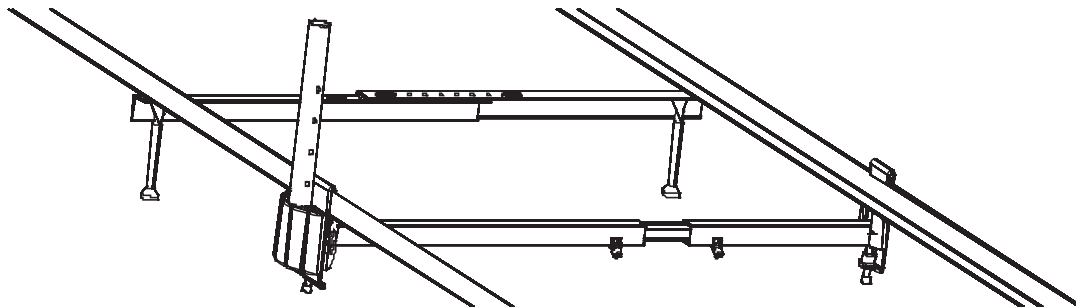
- 1 Put the ANCHOR ASSEMBLY under the bed frame 36" from the head of the bed.



- 2 Hook anchor handle into bed frame rail as shown

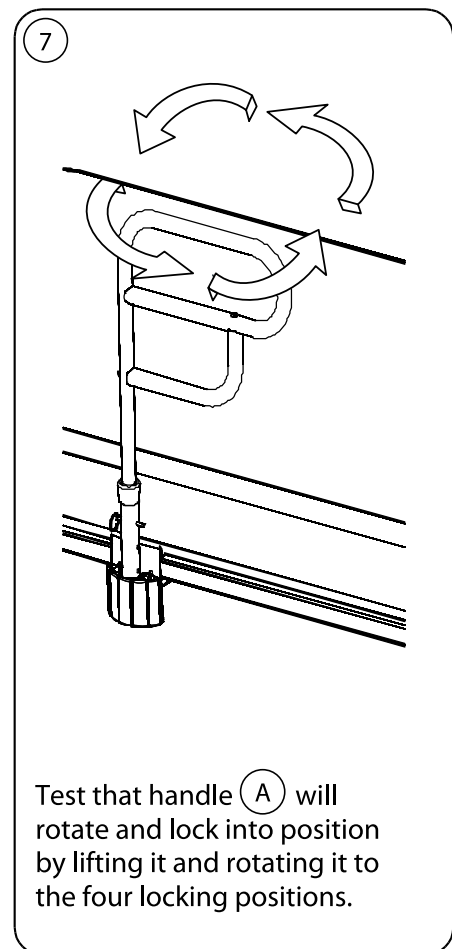
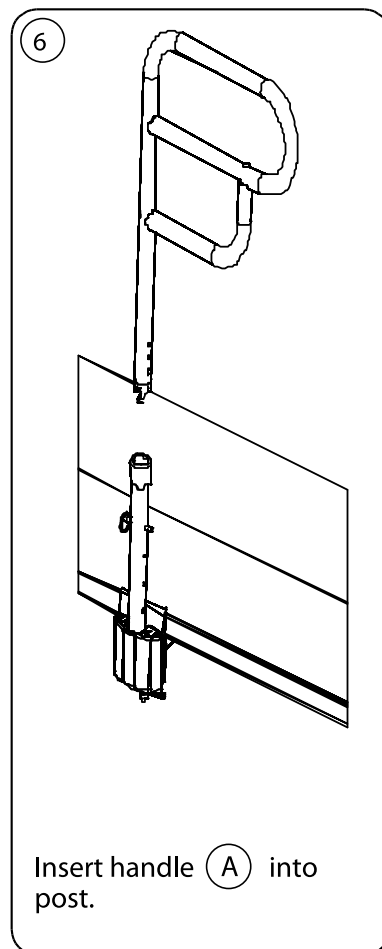
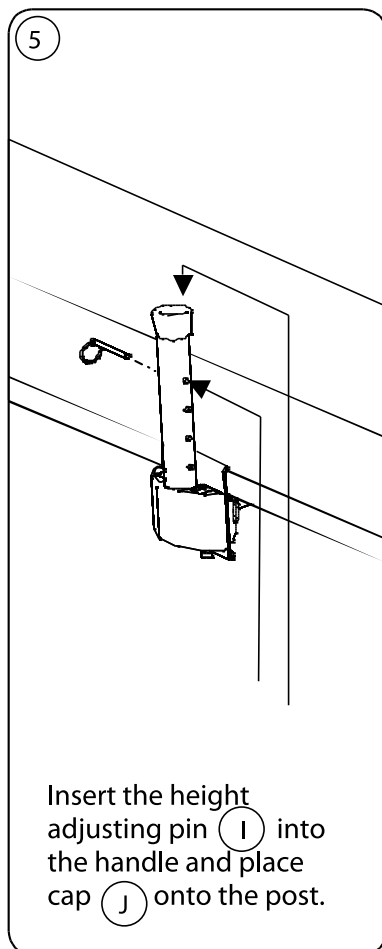
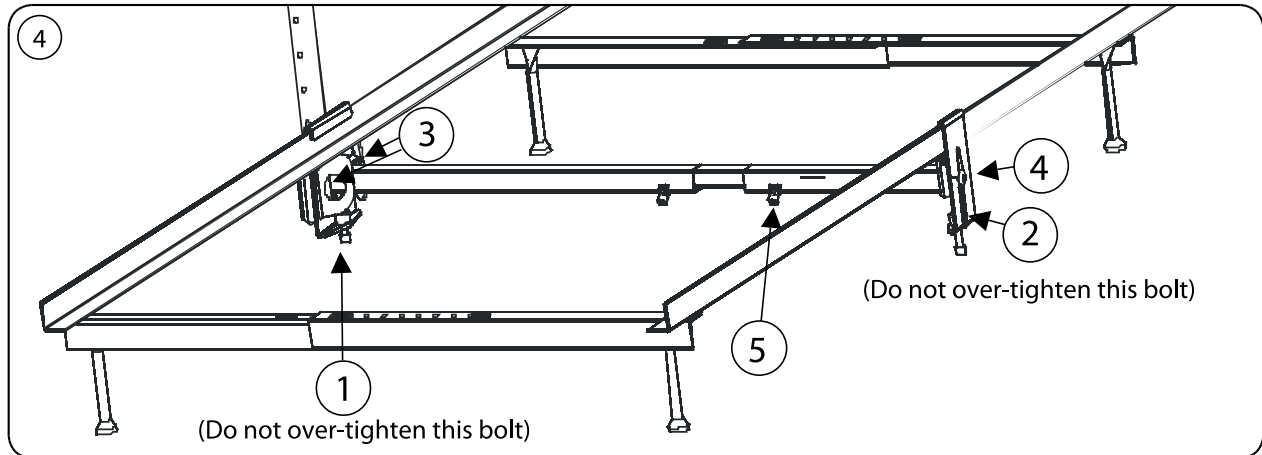


- 3 Take opposite end and hook it onto the bed frame. Proceed to tightening bolts in step 4.



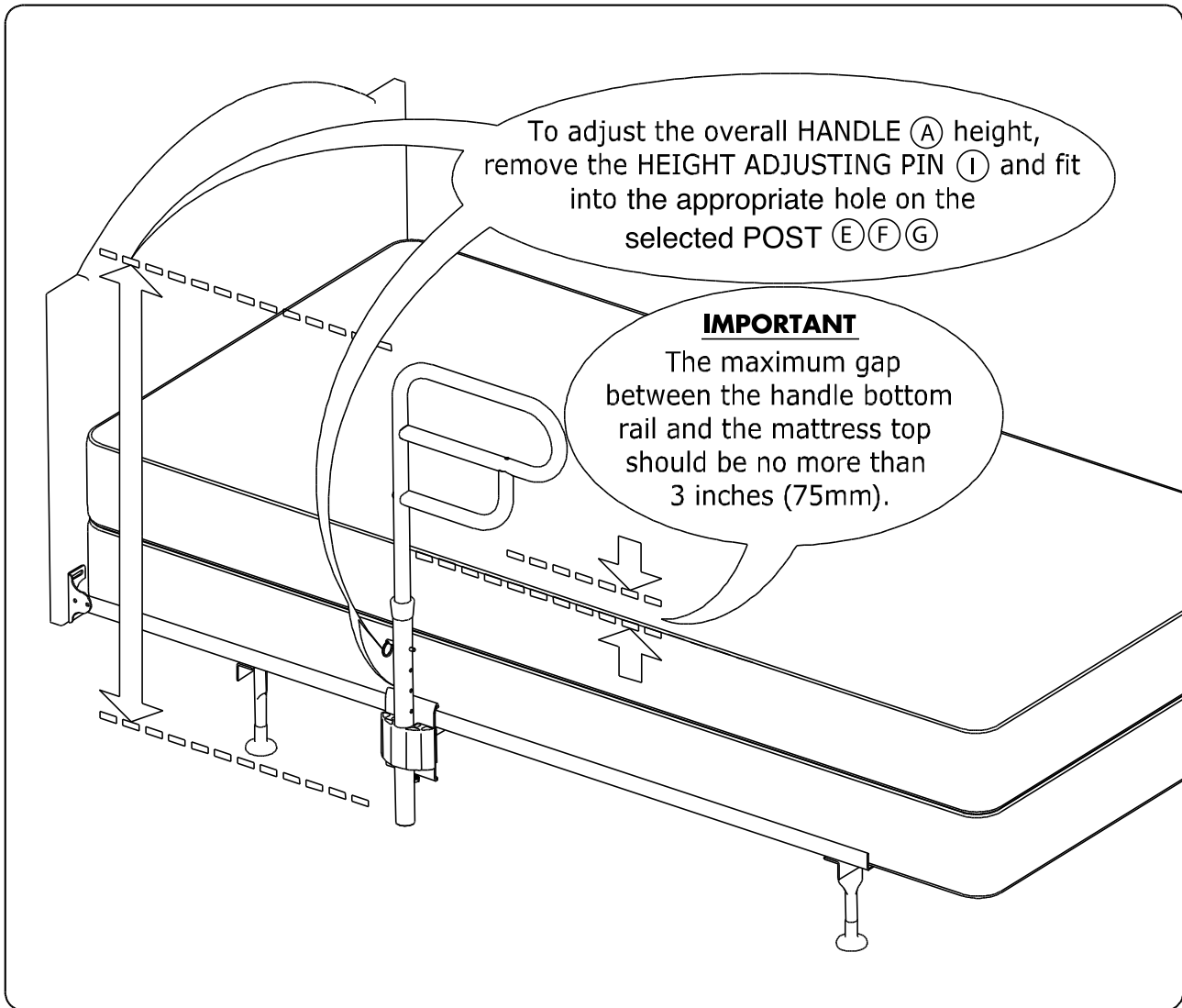
Tightening Arcorail Base to Frame

Ensure all parts are attached firmly (to simulate one solid part) and install in numeric order as shown.



Safety-Check:

Set height of Arcorail for safety (do not allow a gap greater than 3 inches – see below for important details) and check to ensure all bolts and parts are firmly fastened before placing mattresses onto the bed frame and periodically tighten as required.



©2005 Hart Mobility, a division of Andrew J. Hart Enterprises Inc.

All rights reserved. Information in this document is subject to change without notice. No part of this document may be reproduced or transmitted in any form or by any means, electronic or mechanical, for any purpose, without the express written permission of Hart Mobility. Other products and company names herein may be the trademarks of their respective owners.

272AR25 Rev. 1 14/01/07