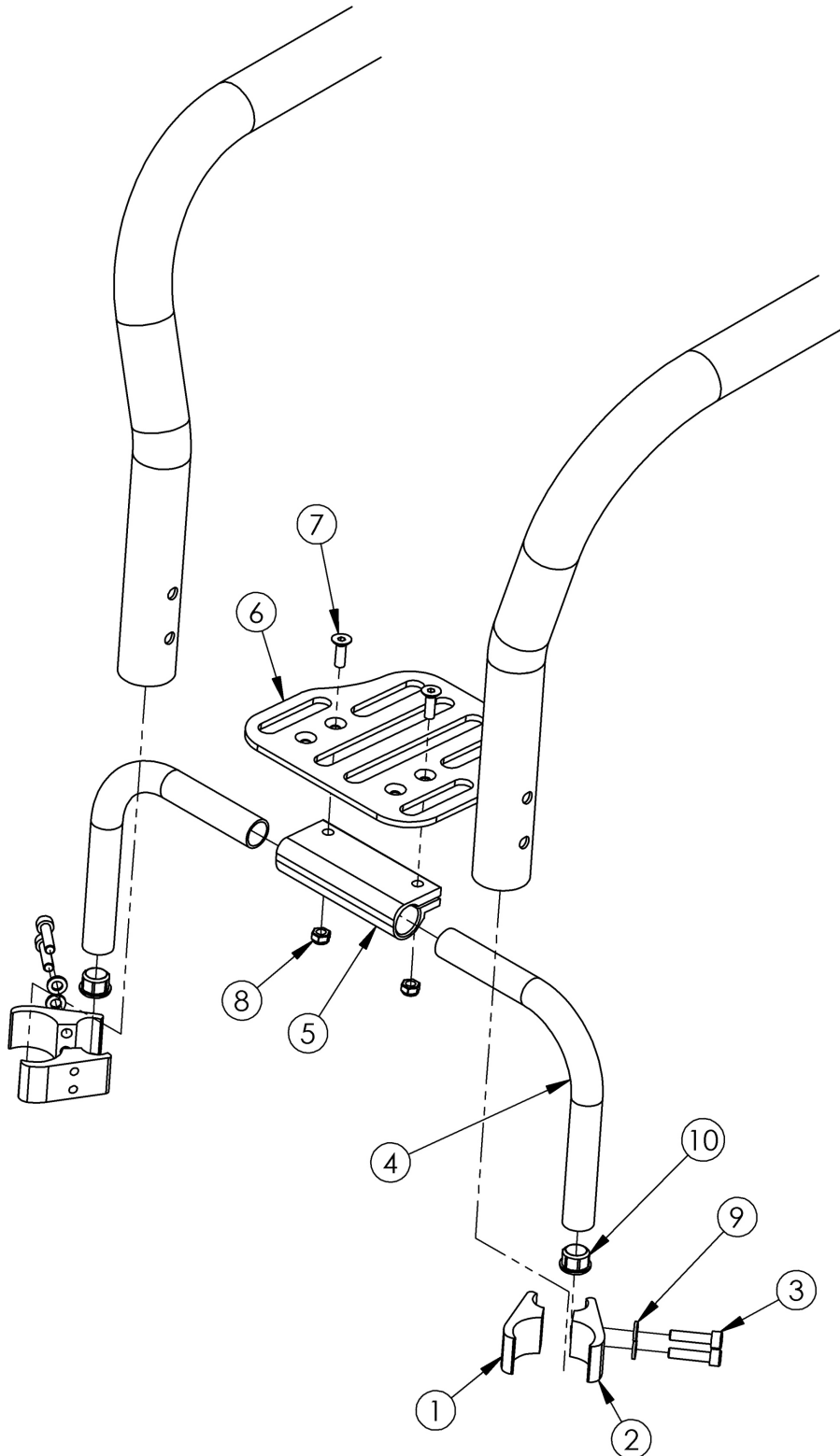


(Discontinued) Rogue XP High Mount Angle Adjustable Footrest 15" - 18" Wide



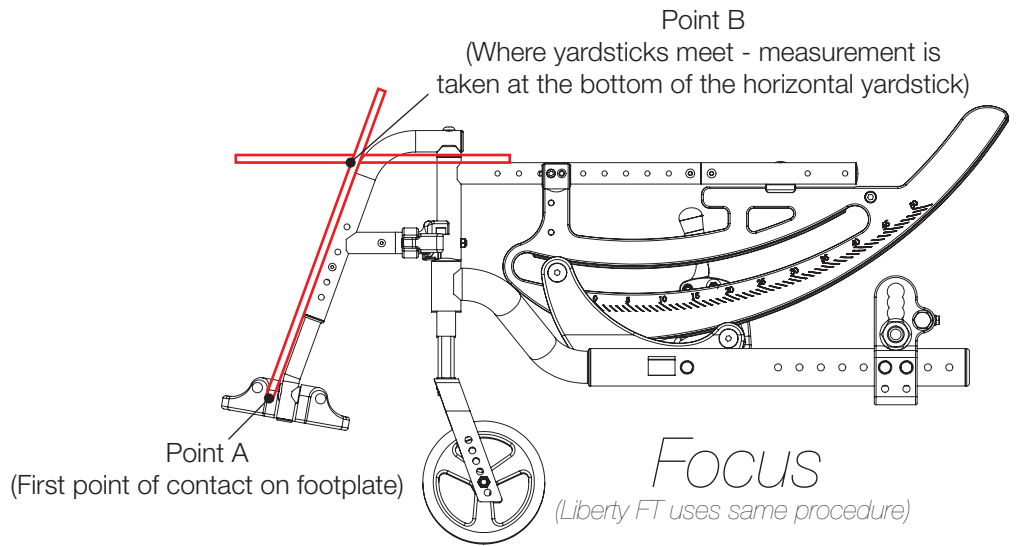
Footrest assemblies based on straight frame <p>

Used on serial numbers prior to RGXP008523, RGX0020821, and RG0018443

Item Number	Part Number	Description	Quantity	Retail
1-3, 4a, 5, 6a, 7-10	503666	Footrest Assembly Angle Adj High Mount 15 Rigid	1	\$219.89
1-3, 4a, 5, 6b, 7-10	503667	Footrest Assembly Angle Adj High Mount 16 Rigid	1	\$239.34
1-3, 4b, 5, 6c, 7-10	503668	Footrest Assembly Angle Adj High Mount 17 Rigid	1	\$219.89
1-3, 4b, 5, 6d, 7-10	503669	Footrest Assembly Angle Adj High Mount 18 Rigid	1	\$246.50
1	000376	Clamp Top 1.375" Rigid	2	\$13.91
2	000377	Clamp Bottom 1.375" Rigid	2	\$13.91
3	100780	M6 x 25 SHCS ZC	4	\$2.10
4a	000221	Footrest Tube Angle Adjustable 5.6" Rigid	2	\$24.38
4b	000222	Footrest Tube Angle Adjustable 6.6" Rigid	2	\$24.38
5	100789	Footrest Adjustable Clamp 5"	1	\$29.23
6a	001322	Footrest Platform Angle Adjustable 7"	1	\$66.30
6b	000226	Footrest Platform Angle Adjustable 8"	1	\$85.76
6c	001323	Footrest Platform Angle Adjustable 9"	1	\$66.30
6d	000227	Footrest Platform Angle Adjustable 10"	1	\$92.91
7	100662	M6 x 25 FSHCS BLK ZC	2	\$1.58
8	100658	M6 Nylock Nut Blk Zn	2	\$1.05
9	101835	M6 Lock Washer Blk Zn	4	\$0.53
10	100638	Tube End Plug 3/4"	2	\$2.10

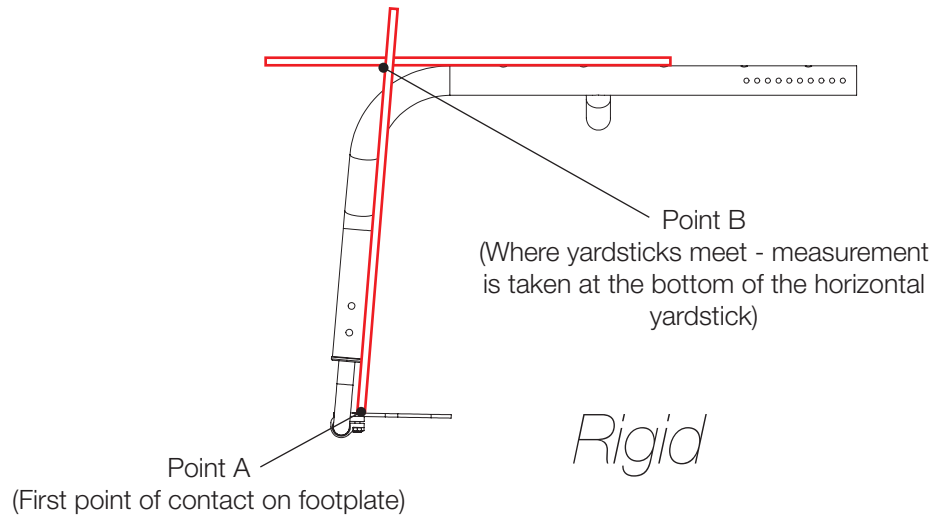
Distance between Point A and Point B = Footplate Length

NOTE: The yardstick on the top plane of the seat frame must lie flat against frame. The yardstick going from the footplate to the second yardstick must be square against the hanger tube.



Distance between Point A and Point B = Footplate Length

NOTE: The yardstick on the top plane of the seat frame must lie flat against frame. The yardstick going from the footplate to the second yardstick must be square against the front tube.



Distance between Point A and Point B = Footplate Length

NOTE: The yardstick on the top plane of the hanger must lie flat against hanger. The yardstick going from the footplate to the second yardstick must be square against the hanger tube.

