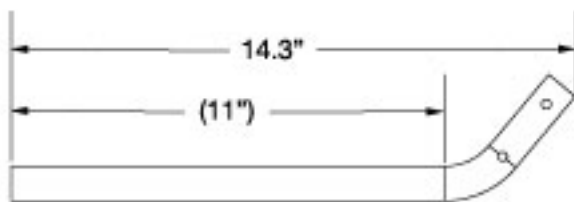
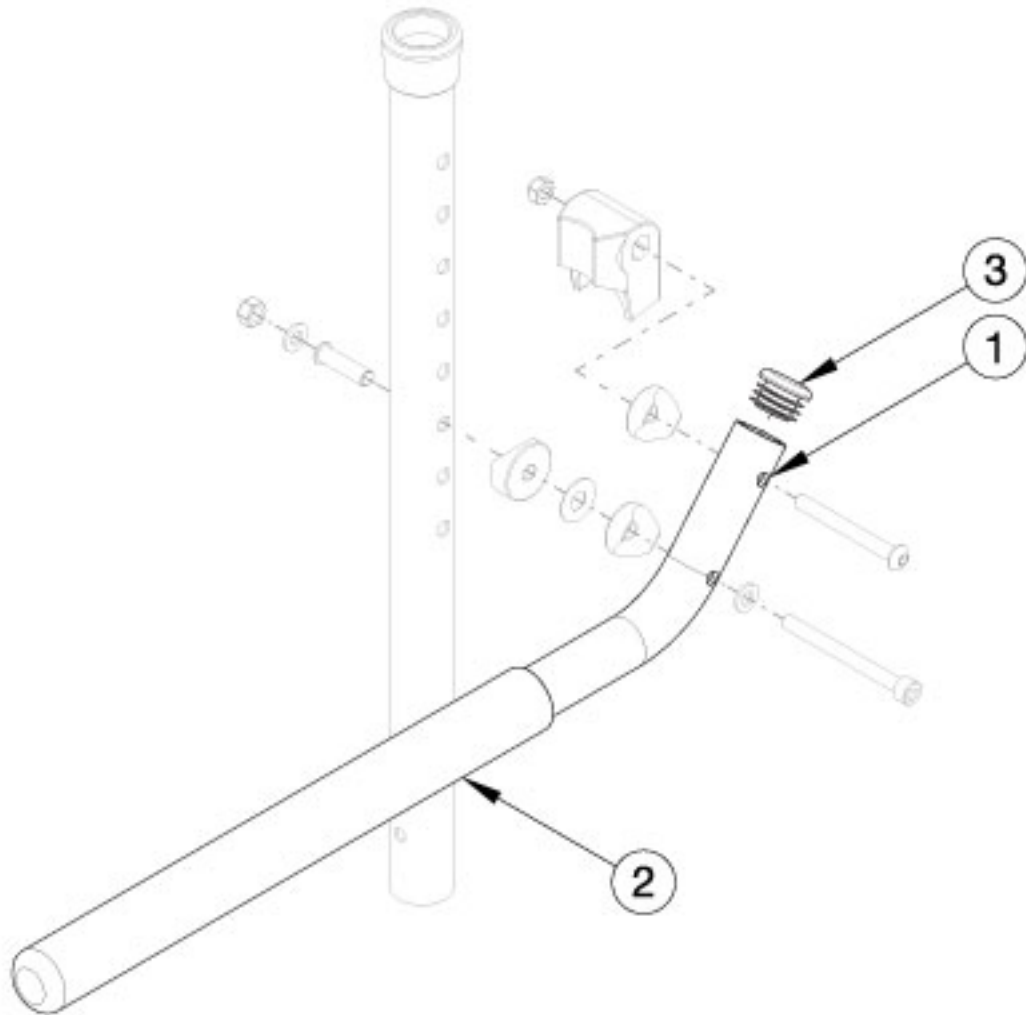
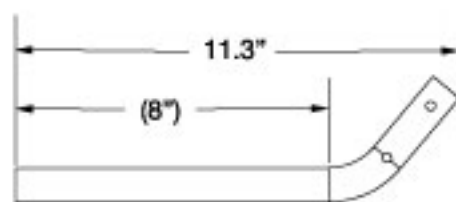


Flip Tubular flip Up Armrest - Growth



Standard Flip Up Armrest



Short Flip Up Armrest

Has your depth changed? If yes, please review the notes below the armrest assembly part numbers to determine if new assemblies are necessary.

Item Number	Part Number	Description	Quantity
1a, 2, 6	501250	Tubular Flip Up Armrest Tube Assembly	1
1b, 2, 6	501251	Tubular Flip Up Armrest Tube Assembly Short <i>Used if chair depth is 12"-14" and Therafin Tray is not present</i>	1